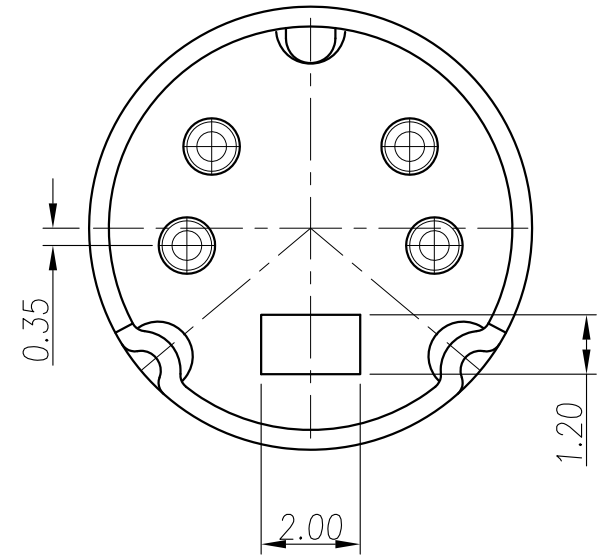
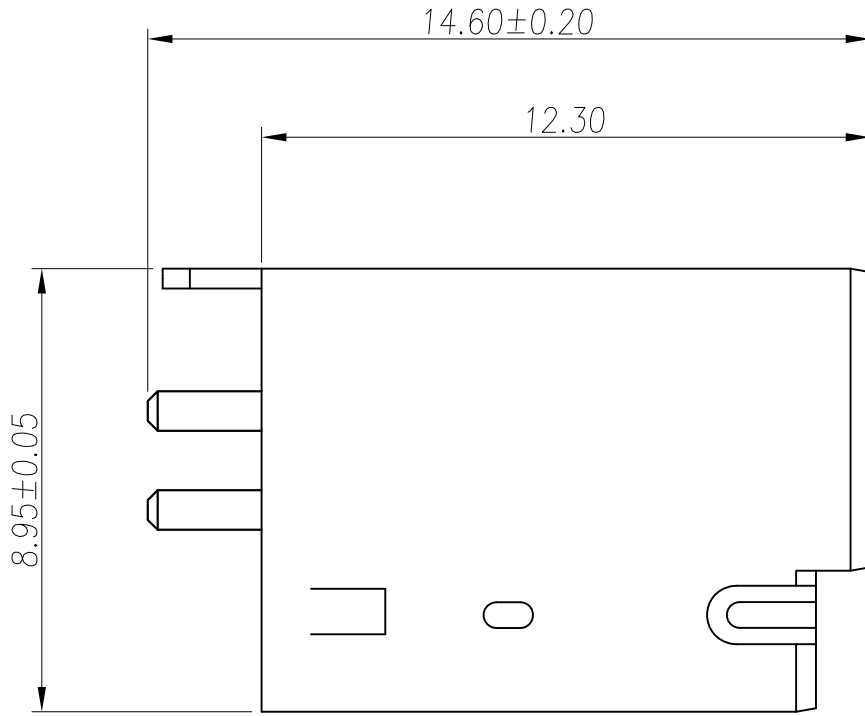


This document is the property of Nian-Yeong Corporation and is delivered on the express condition that it is not to be disclosed, reproduced or used, in whole or in part, for manufacture or sale by anyone other than Nian-Yeong Corporation without its prior consent, and that no right is granted to disclose or to use any information in this document.

CUSTOMER DRAWING

REV.	DESCRIPTION	APPROVED BY	DATE	ECN NO.
A	RELEASE TO PRODUCTION	Fido Weng	19/11/10*	ECN10132
B				
C				



NOTE :

1. MATERIAL :
 - 1-1. HOUSING : PBT UL94V-0 ; COLOR : BLACK
 - 1-2. CONTACT : BRASS
 - 1-3. SHELL : BRASS
2. FINISH :
 - 2-1. CONTACT : SEE TABLE A
 - 2-2. SHELL : SEE TABLE A
3. ELECTRICAL SPECIFICATION :
 - 3-1. Rated current : 2A
 - 3-2. Rated Voltage : 12V

TABLE A

	MD-04M1-14	GOLD FLASH / 表金	GOLD FLASH / 表金
	MD-04M1-13	GOLD FLASH / 表金	NICKEL 30u" / 鍍 30"
	MD-04M1-05	SILVER / 銀	NICKEL 30u" / 鍍 30"
	P/N	CONTACT	SHELL

DRAWN	Jen Xie	APP'D	Fido Weng	UNIT	mm	TOLERANCE		TITLE	MiniDin 4(M)成型式			SHEET	
CHK'D	Emily Suen			SCALE	1:1	.x ±0.20 .xx ±0.10 .xxx ±0.05 .xxxx ±0.03 ANGULA ±1°		PART NO.	SEE TABLE A	DWG NO.	QC5103	VERSION	

NIAN YEONG ENTERPRISE
年永實業有限公司