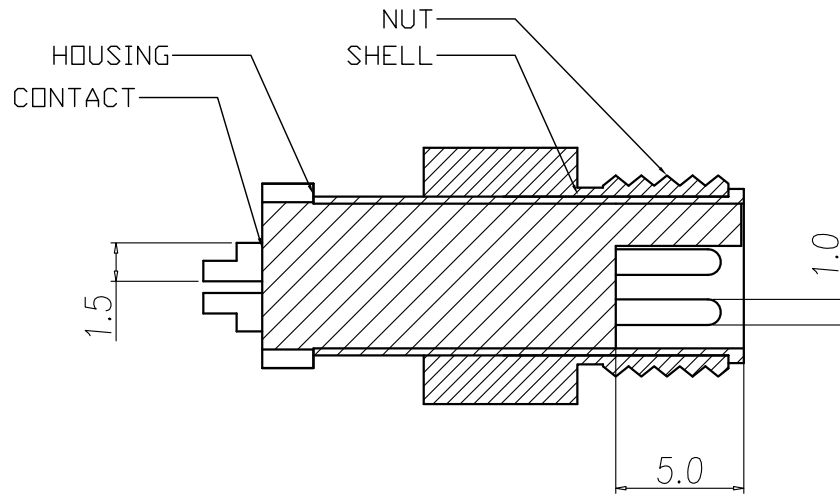
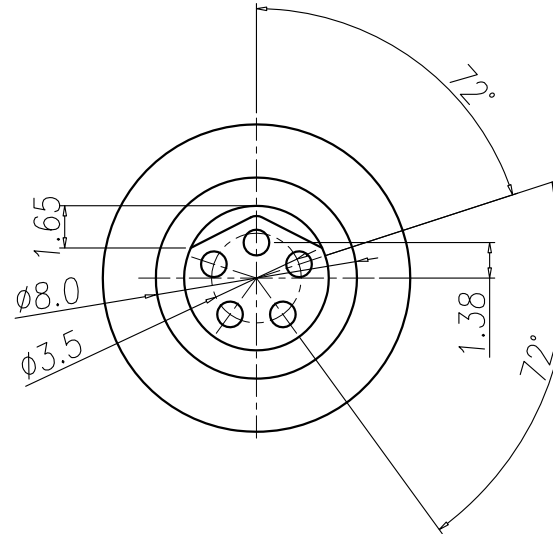
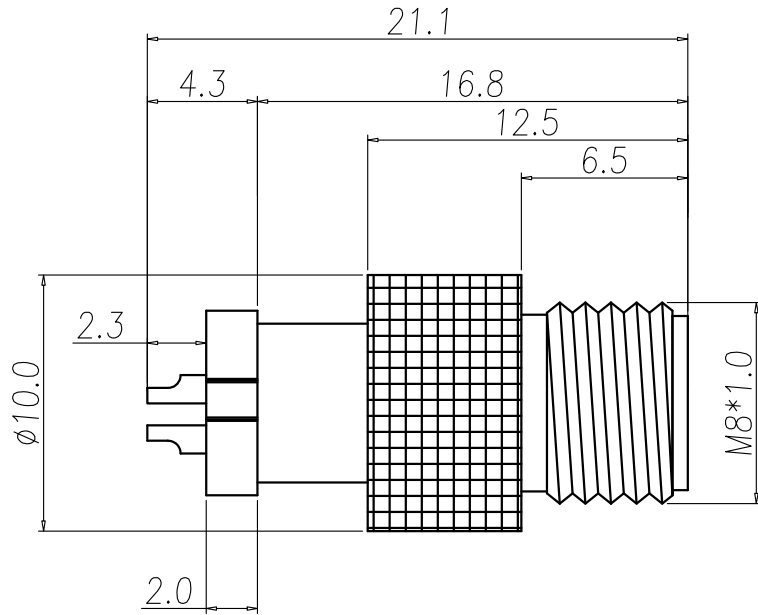


This document is the property of Nian-Yeong Corporation and is delivered on the express condition that it is not to be disclosed, reproduced or used, in whole or in part, for manufacture or sale by anyone other than Nian-Yeong Corporation without its prior consent, and that no right is granted to disclose or to use any information in this document.

CUSTOMER DRAWING

REV.	DESCRIPTION	APPVL. BY	DATE	ECN NO.
A	RELEASE	Fido Weng	14/06/10*	
B				
C				



NOTE:

- MATERIAL :**
 - 1-1. HOUSING : PBT UL94V-0 ; COLOR : BLACK
 - 1-2. CONTACT : BRASS.
 - 1-3. SHELL : BRASS.
 - 1-4. NUT : BRASS.
- FINISH :**
 - 2-1. CONTACT : 10 MICRO INCHES MIN. GOLD PLATING OVER NICKEL
 - 2-2. SHELL : NICKEL PLATED.
 - 2-3. NUT : NICKEL PLATED.
- ELECTRICAL SPECIFICATION :**
 - 3-1. Rated current : 3A
 - 3-2. Rated Voltage : 30V
 - 3-3. Water proof : IP67
- Environmental :**
 - 4-1. Operation Temperature : -20 ℃~85℃

DRAWN	Mark Kao	APP'D	Ku Chou	UNIT	mm	TOLERANCE		TITLE	防水頭 M8-5PIN (M) 焊線式+接地(螺母外徑10.0mm)			SHEET	
CHK'D	Emily Suen			SCALE	1:1	.x ±0.20 .xx ±0.10 .xxx ±0.05 .xxxx ±0.03 ANGULA ±1°		PART NO.	WP-05M2-87-11	DWG NO.	QC6990	VERSION	

NIAN YEONG ENTERPRISE
年永實業有限公司