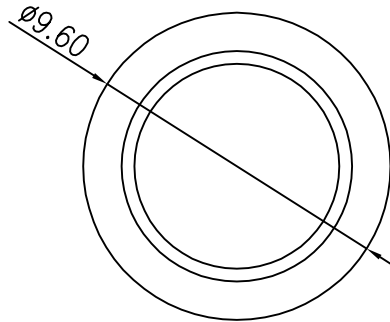
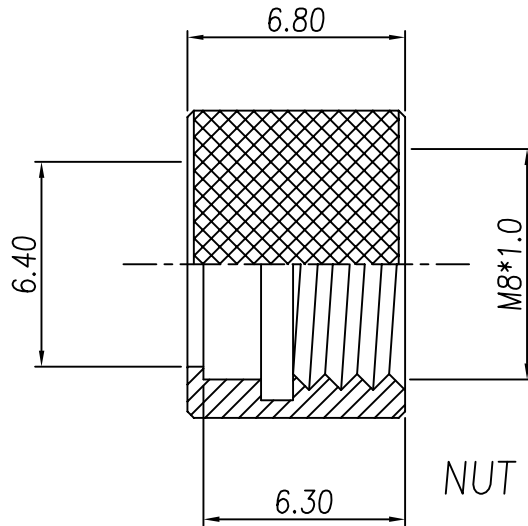
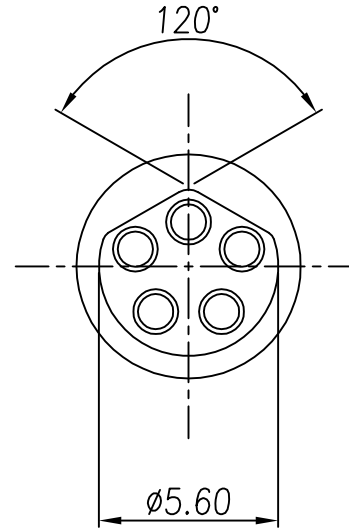
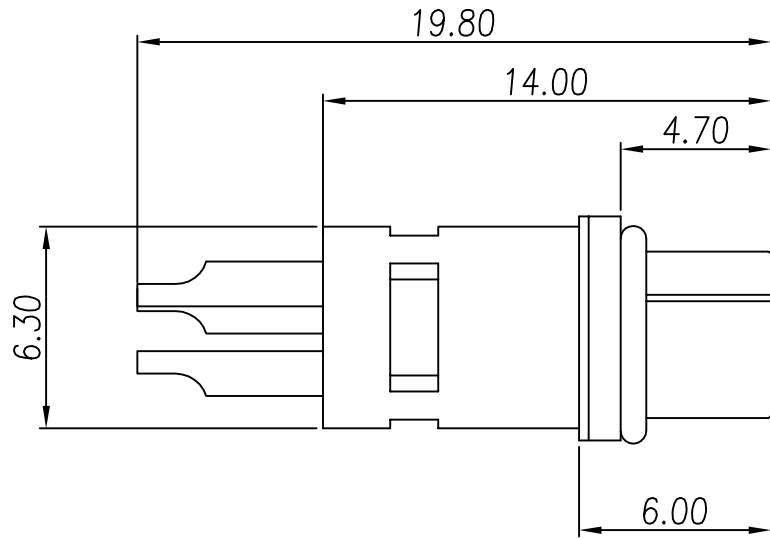


This document is the property of Nian-Yeong Corporation and is delivered on the express condition that it is not to be disclosed, reproduced or used, in whole or in part, for manufacture or sale by anyone other than Nian-Yeong Corporation without its prior consent, and that no right is granted to disclose or to use any information in this document.

CUSTOMER DRAWING

REV.	DESCRIPTION	APPVL. BY	DATE	ECN NO.
A	RELEASE	Fido Weng	17/03/15*	
B	新增料號	KU	08/06/18*	
C				



NOTE:

- MATERIAL :
 - 1-1. HOUSING : PBT UL94V-0 ; COLOR : BLACK
 - 1-2. CONTACT : BRASS.
 - 1-3. SHELL : BRASS.
 - 1-4. NUT : BRASS.
 - 1-5. O-RING : NBR.
- FINISH :
 - 2-1. CONTACT : 10 MICRO INCHES MIN. GOLD PLATING OVER NICKEL
 - 2-2. SHELL : SEE TABLE A
 - 2-3. NUT : NICKEL PLATED.
- ELECTRICAL SPECIFICATION :
 - 3-1. Rated current : 3A
 - 3-2. Rated Voltage : 30V
 - 3-3. Water proof : IP67/68
- Environmental :
 - 4-1. Operation Temperature : -40°C~105°C

TABLE A

WP-05F2-145-11	BRIGHT TIN 60u"~100u"
WP-05F2-101-11	NICKEL 60u" ~ 100u"
PART NO	FINISH

DRAWN	CU	APP'D	Ku Chou	UNIT	mm	TOLERANCE		TITLE	防水頭 M8 B-CODE-5PIN (F) 貝殼形線式	SHEET
CHK'D	Emily Suen			SCALE	1:1	.x ±0.20 .xx ±0.10 .xxx ±0.05 .xxxx ±0.03 ANGULA ±1°		PART NO.	SEE TABLE A	VERSION
									DWG NO.	B
							NIAN YEONG ENTERPRISE 年永實業有限公司		QC7059	