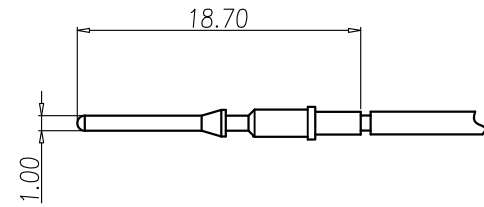
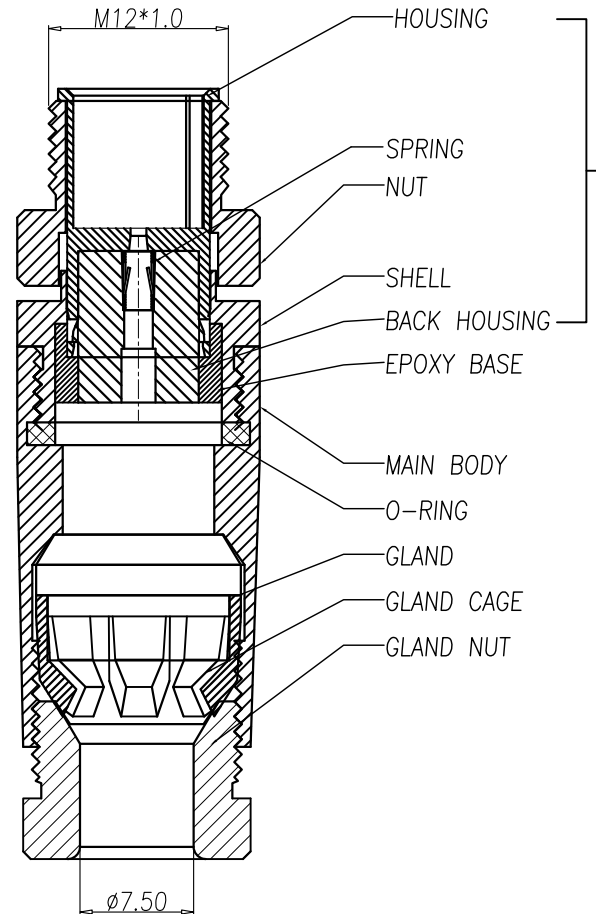
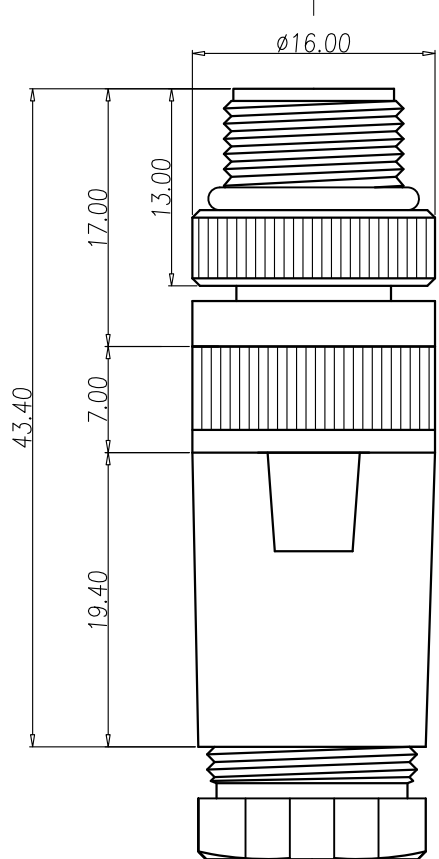
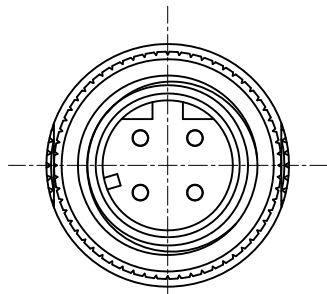


This document is the property of Nian-Yeong Corporation and is delivered on the express condition that it is not to be disclosed, reproduced or used, in whole or in part, for manufacture or sale by anyone other than Nian-Yeong Corporation without its prior consent, and that no right is granted to disclose or to use any information in this document.

CUSTOMER DRAWING

REV.	DESCRIPTION	APPROVED BY	DATE	ECN NO.
A				
B				
C				



CONTACT ASS'Y FOR 24AWG~28AWG

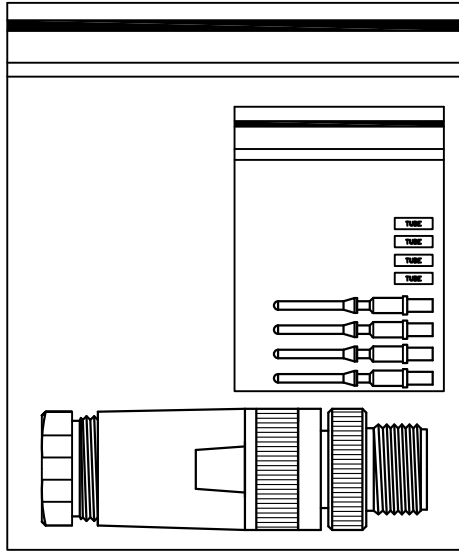
1. MATERIAL :
  - 1-1. MATERIAL A :
    - a. HOUSING : PBT UL94V-0 ; COLOR : BLACK.
    - b. CONTACT : BRASS
    - c. NUT : ALUMINIUM ALLOY
    - d. SHELL : ALUMINIUM ALLOY
    - e. BACK HOUSING : PBT UL94V-0 ; COLOR : BLACK.
    - f. SPRING : BERYLLIUM COPPER
  - 1-2. MAIN BODY : ALUMINIUM ALLOY
  - 1-3. GLAND : SILICONE ; COLOR : BLACK.
  - 1-4. GLAND CAGE : POM ; COLOR : BLACK.
  - 1-5. GLAND NUT : ALUMINIUM ALLOY
  - 1-6. O-RING : SILICONE ; COLOR : BLACK
2. FINISH :
  - 2-1. MATERIAL A :
    - a. CONTACT : GOLD FLASH MICRO INCHES MIN. UNDER PLATE : NICKEL.
    - b. NUT : SATIN NICKEL PLATED.
    - c. SHELL : SATIN NICKEL PLATED.
    - d. SPRING : NICKEL PLATED.
  - 2-2. MAIN BODY : SATIN NICKEL PLATED.
  - 2-3. GLAND NUT : SATIN NICKEL PLATED.
3. ELECTRICAL SPECIFICATION :
  - 3-1. Rated current : 4A
  - 3-2. Rated voltage : 250V
  - 3-3. Water proof : IPX7
4. Environmental :
  - 4-1. Operation Temperature : -20°C~85°C

DRAWN	Ku Chou	APP'D	Emily Suen	UNIT	mm	TOLERANCE		<b>NIAN YEONG ENTERPRISE</b> 年永實業有限公司	TITLE	M12 4PIN(M) D-code Crimp pin type			SHEET	1/2
CHK'D	Emily Suen	SCALE	1:1			.x ±0.20 .xx ±0.10 .xxx ±0.05 .xxxx ±0.03 ANGULA ±1°			PART NO.	WP-04M2-130-11	DWG NO.	QC7503	VERSION	A

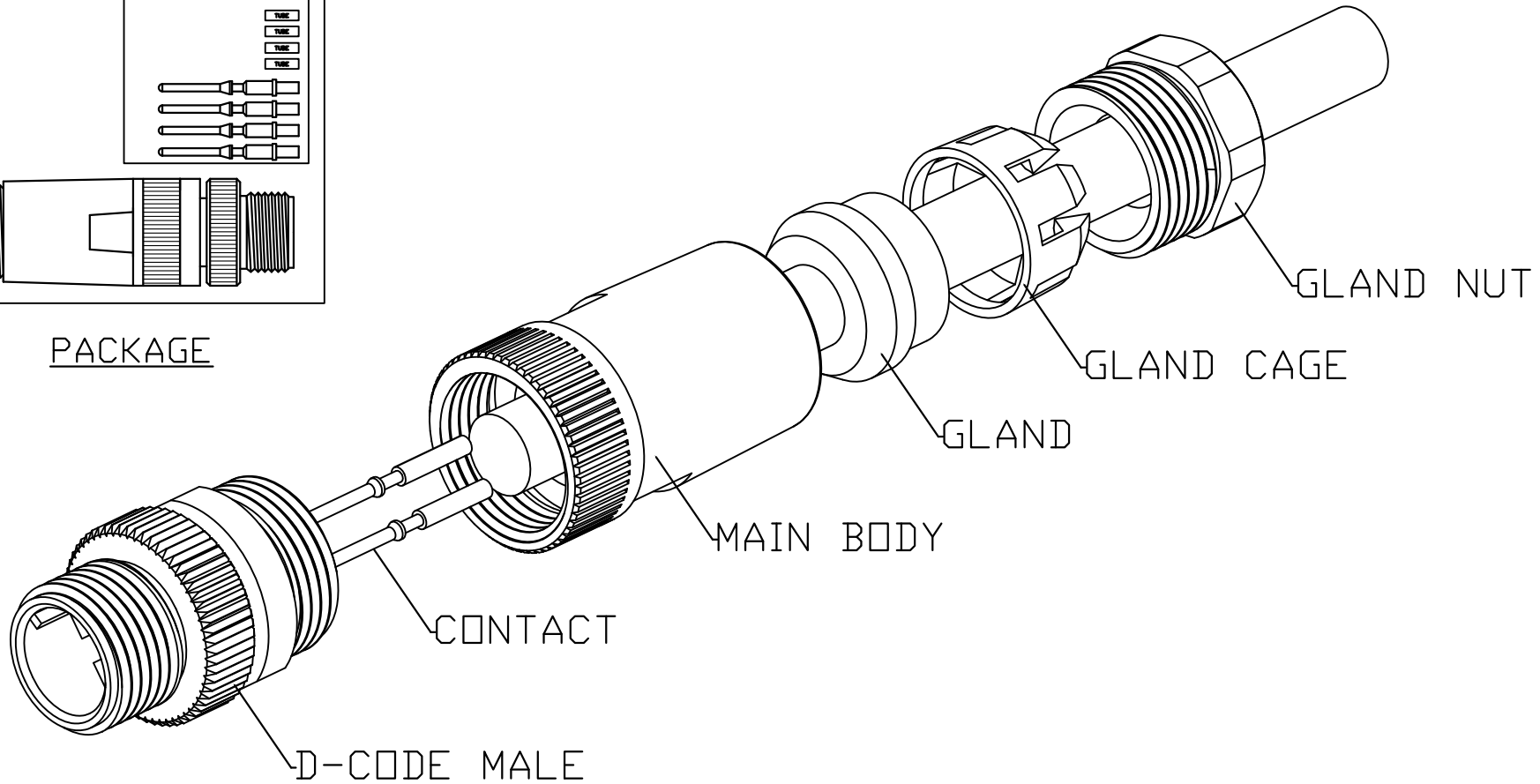
This document is the property of Nian-Yeong Corporation and is delivered on the express condition that it is not to be disclosed, reproduced or used, in whole or in part, for manufacture or sale by anyone other than Nian-Yeong Corporation without its prior consent, and that no right is granted to disclose or to use any information in this document.

CUSTOMER DRAWING

REV.	DESCRIPTION	APPROVED BY	DATE	ECN NO.
A	RELEASE	Fido Weng	10/01/11'	
B				
C				



PACKAGE



DRAWN	Ku Chou	APP'D	Emily Suen	UNIT	mm	TOLERANCE		TITLE	M12 4PIN(M) D-code Crimp pin type			SHEET	2
CHK'D	Emily Suen			SCALE	1:1	.x ±0.20 .xx ±0.10 .xxx ±0.05 .xxxx ±0.03 ANGULA ±1°		NIAN YEONG ENTERPRISE 年永實業有限公司	PART NO.	WP-04M2-130-11	DWG NO.	QC7503	VERSION