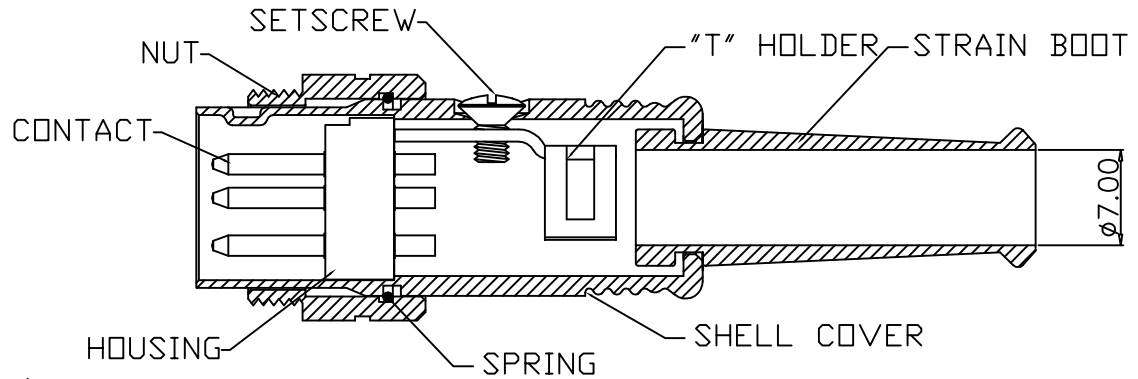
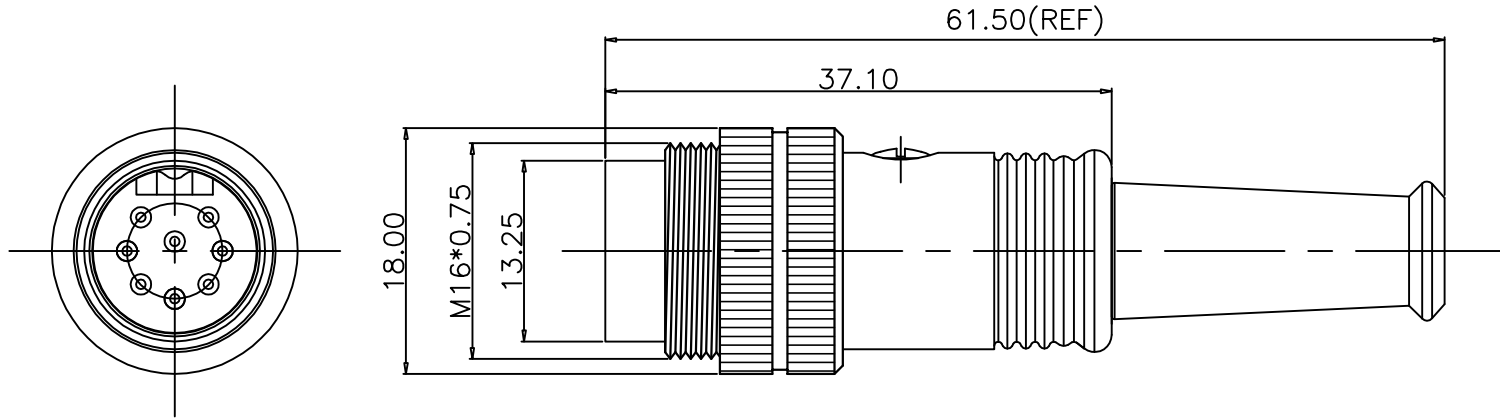


This document is the property of Nian-Yeong Corporation and is delivered on the express condition that it is not to be disclosed, reproduced or used, in whole or in part, for manufacture or sale by anyone other than Nian-Yeong Corporation without its prior consent, and that no right is granted to disclose or to use any information in this document.

CUSTOMER DRAWING

REV.	DESCRIPTION	APPROVED BY	DATE	ECN NO.
A	RELEASE	Fido Weng	02/11/11*	
B				
C				



1. MATERIAL :
  - 1-1. HOUSING : PA66 ; COLOR : BLACK.
  - 1-2. CONTACT : BRASS.
  - 1-3. NUT : BRASS.
  - 1-4. SETSCREW : SPCC STEEL.
  - 1-5. "T" HOLDER : SPCC STEEL.
  - 1-6. STRAIN BOOT : TPR ; COLOR : BLACK.
  - 1-7. SHELL COVER : BRASS.
  - 1-8. SPRING : STAINLESS STEEL.
2. FINISH :
  - 2-1. CONTACT : SILVER PLATED OVER ALL
  - 2-2. NUT : NICKEL PLATED OVER ALL
  - 2-3. SETSCREW : NICKEL PLATED OVER ALL
  - 2-4. "T" HOLDER: NICKEL PLATED OVER ALL
  - 2-5. SHELL : NICKEL PLATED OVER ALL
3. ELECTRICAL SPECIFICATION :
  - 3-1. Rated current : 5A
  - 3-2. Rated voltage : 250V
4. ENVIRONMENTAL :
  - 4-1. Operation Temperature : -40°C~85°C

TABLE A

DI-03M2-17-11	DI-04M2-09	DI-05M2-26-11	DI-05M2-25-11	DI-06M2-12-11	DI-07M2-25-11	DI-08M2-06

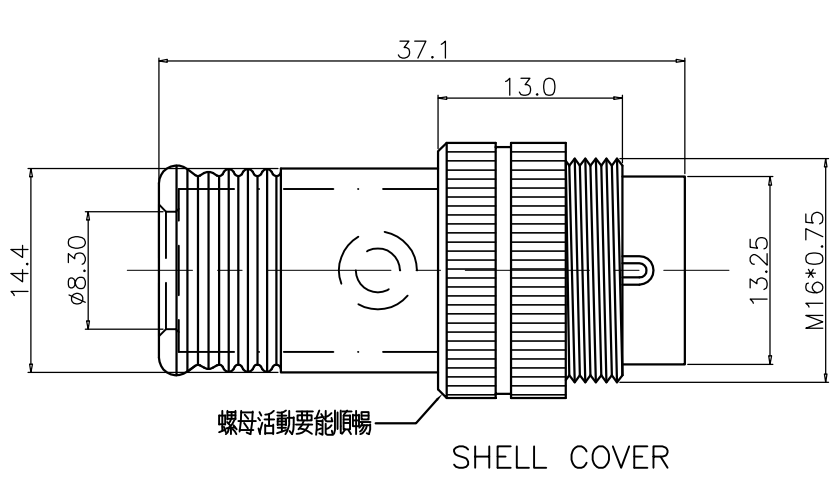
DRAWN	Ku Chou	APP'D	Emily Suen	UNIT	mm	TOLERANCE		TITLE	270° MALE DIN CABLE PLUG			SHEET
CHK'D	Emily Suen			SCALE	1:1	.x ±0.25 .xx ±0.10 .xxx ±0.05 .xxxx ±0.03 ANGULA ±1°		PART NO.	SEE TABLE A	DWG NO.	QC5608	1 2 VERSION A

NIAN YEONG ENTERPRISE  
年永實業有限公司

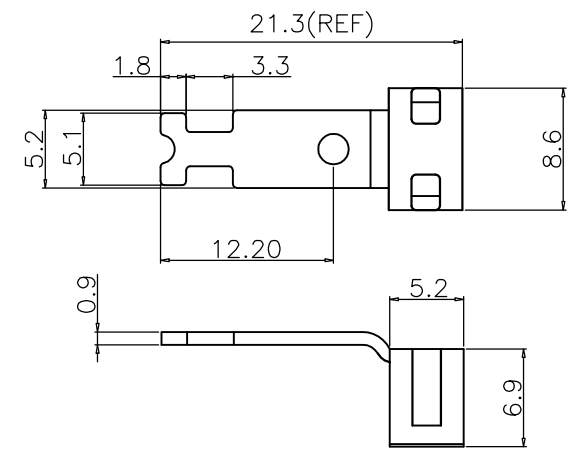
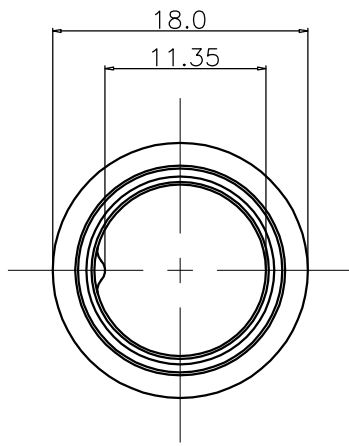
This document is the property of Nian-Yeong Corporation and is delivered on the express condition that it is not to be disclosed, reproduced or used, in whole or in part, for manufacture or sale by anyone other than Nian-Yeong Corporation without its prior consent, and that no right is granted to disclose or to use any information in this document.

CUSTOMER DRAWING

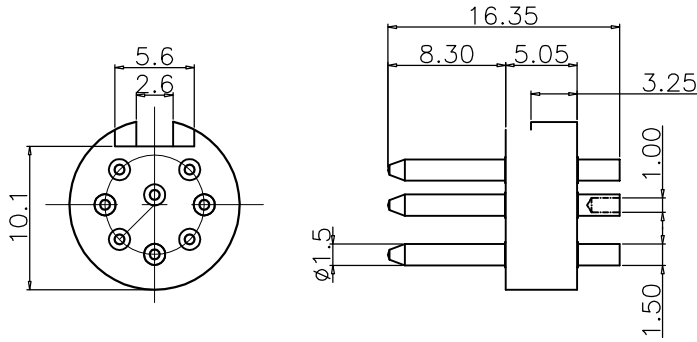
REV.	DESCRIPTION	APPROVED BY	DATE	ECN NO.
A	RELEASE	Fido Weng	02/11/11*	
B				
C				



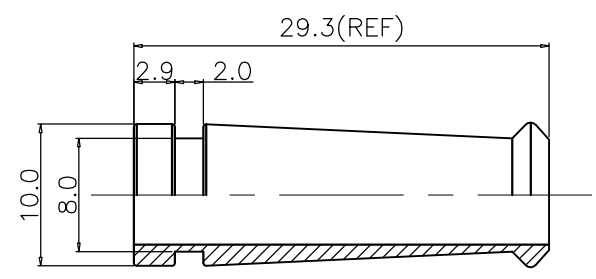
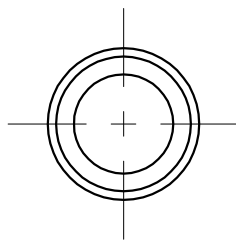
SHELL COVER



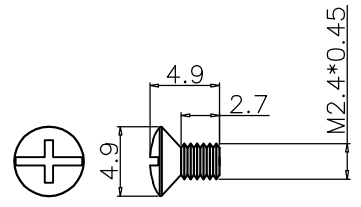
"T" HOLDER



8P HOUSING



STRAIN BOOT



SETSCREW

DRAWN	Ku Chou	APP'D	Emily Suen	UNIT	mm	TOLERANCE		TITLE	270° MALE DIN CABLE PLUG			SHEET
CHK'D	Emily Suen			SCALE	1:1	.x ±0.25 .xx ±0.10 .xxx ±0.05 .xxxx ±0.03 ANGULA ±1°		PART NO.	SEE TABLE A	DWG NO.	QC5608	
								NIAN YEONG ENTERPRISE 年永實業有限公司			VERSION A	