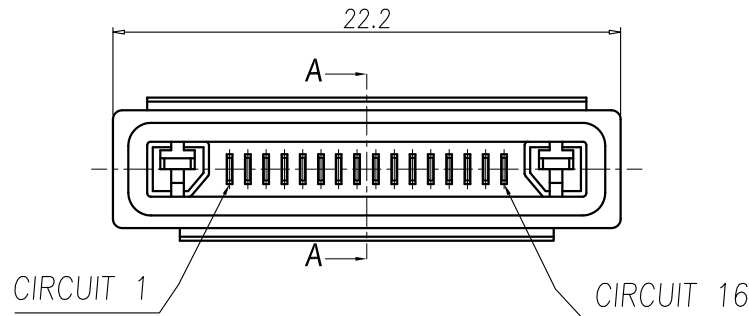
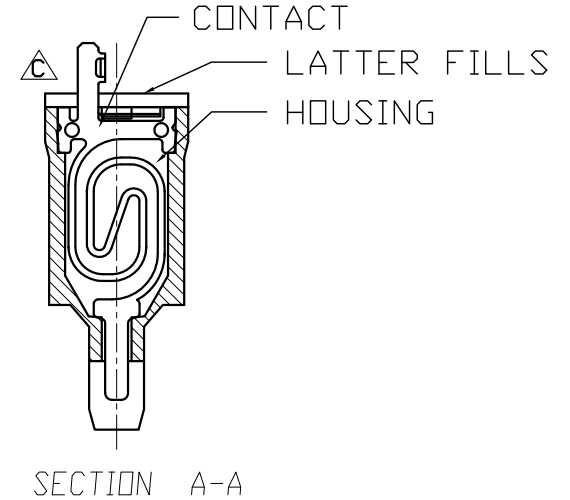
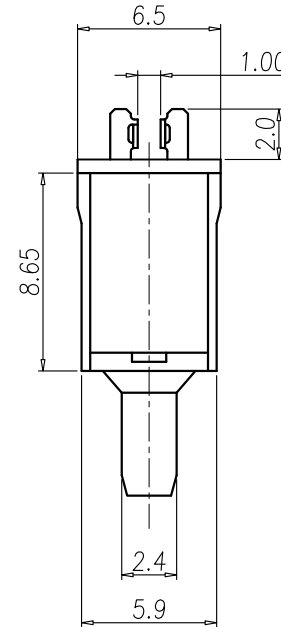
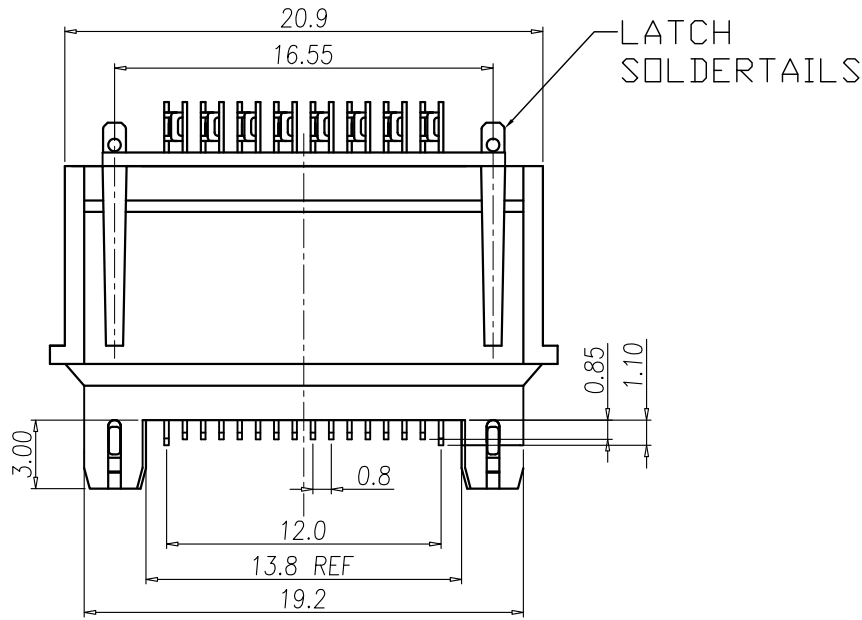


This document is the property of Nian-Yeong Corporation and is delivered on the express condition that it is not to be disclosed, reproduced or used, in whole or in part, for manufacture or sale by anyone other than Nian-Yeong Corporation without its prior consent, and that no right is granted to disclose or to use any information in this document.

CUSTOMER DRAWING

REV.	DESCRIPTION	APPROVED BY	DATE	ECN NO.
A	RELEASE	Yeh Chou	2016/12/06	
B				
C				



- MATERIAL :
 - HOUSING : NYLON 46 UL94V-0 ; COLOR : BLACK
 - CONTACT : BERYLLIUM COPPER
 - LATCH FILLS : PBT UL94-V0 ; COLOR : BLACK.
 - LATCH SOLDERTAILS : STAINLESS STEEL.
- FINISH :
 - CONTACT : CONTACT AREA : 5 MICRO INCHES MIN. GOLD PLATED
SOLDER AREA : BRIGHT TIN
UNDER PLATE : NICKEL
 - LATCH SOLDERTAILS : BRIGHT TIN
UNDER PLATE : NICKEL
- ELECTRICAL SPECIFICATION :
 - Rated current : 1.5A
 - Rated Voltage : 30V
- Environmental :
 - Operation Temperature : -40°C~80°C

DRAWN	Ku Chou	APP'D	Emily Suen	UNIT	mm	TOLERANCE				TITLE	HANDY LINK 16PIN (M) 0.8PITCH (短端子)			SHEET	
CHK'D	Emily Suen	SCALE	1:1	.x ±0.10 .xx ±0.05 .xxx ±0.03 .xxxx ±0.01 ANGULA ±1°	PART NO.	PC-16M2-07-01				DWG NO.	QC7700	VERSION	A		

NIAN YEONG ENTERPRISE
年永實業有限公司