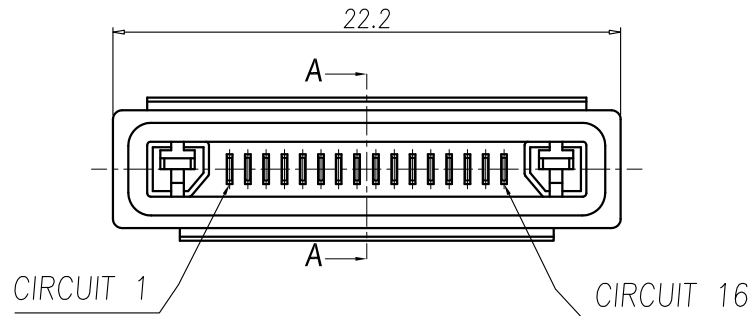
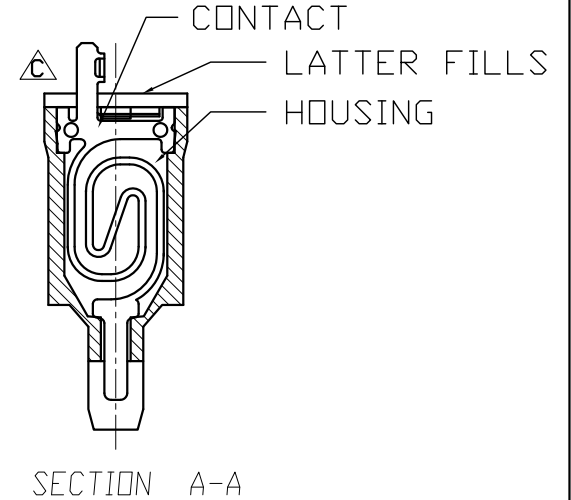
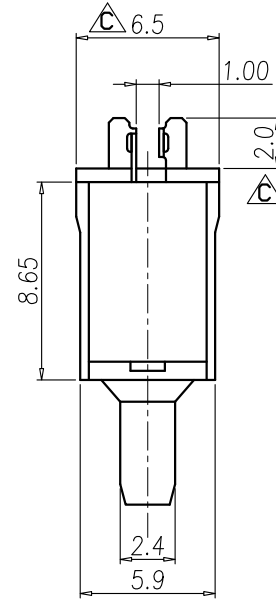
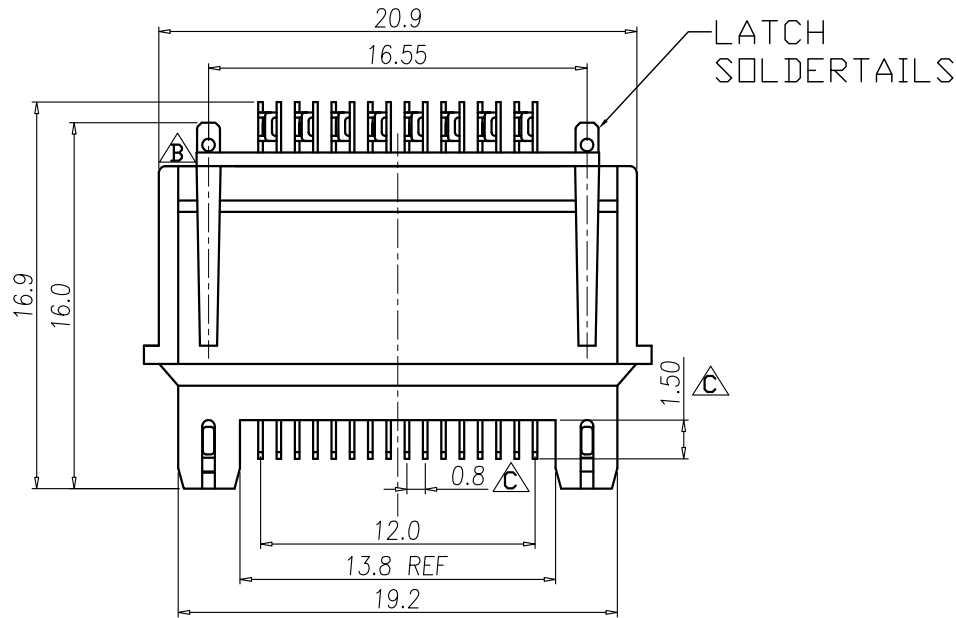


This document is the property of Nian-Yeong Corporation and is delivered on the express condition that it is not to be disclosed, reproduced or used, in whole or in part, for manufacture or sale by anyone other than Nian-Yeong Corporation without its prior consent, and that no right is granted to disclose or to use any information in this document.

CUSTOMER DRAWING

REV.	DESCRIPTION	APPROVED BY	DATE	ECN NO.
A	RELEASE	Fido Weng	13/07/09*	
B	CHANGE DESIGN	Fido Weng	21/07/09*	ECN10096
C	變更端子 & 修正尺寸	Fido Weng	01/11/13*	ECN13020



- MATERIAL :
  - 1-1. HOUSING : NYLON 46 UL94V-0 ; COLOR : BLACK
  - 1-2. CONTACT : BERYLLIUM COPPER
  - 1-3. LATCH FILLS : PBT UL94-V0 ; COLOR : BLACK.
  - 1-4. LATCH SOLDERTAILS : STAINLESS STEEL.
- FINISH :
  - 2-1. CONTACT : CONTACT AREA : 5 MICRO INCHES MIN. GOLD PLATED  
SOLDER AREA : BRIGHT TIN  
UNDER PLATE : NICKEL
  - 2-2. LATCH SOLDERTAILS : BRIGHT TIN  
UNDER PLATE : NICKEL
- ELECTRICAL SPECIFICATION :
  - 3-1. Rated current : 1.5A
  - 3-2. Rated Voltage : 30V
- Environmental :
  - 4-1. Operation Temperature : -40°C~80°C

DRAWN	Ku Chou	APP'D	Emily Suen	UNIT	mm	TOLERANCE		TITLE	HANDY LINK 16PIN(M) 0.8PITCH(+修整)			SHEET
CHK'D	Emily Suen	SCALE	1:1			.x ±0.10 .xx ±0.05 .xxx ±0.03 .xxxx ±0.01 ANGULA ±1°		NIAN YEONG ENTERPRISE 年永實業有限公司	PART NO.	PC-16M2-03	DWG NO.	QC4543