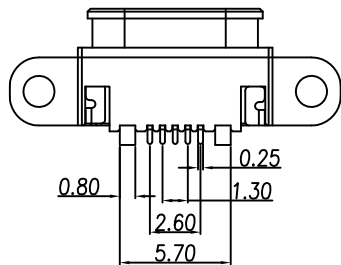
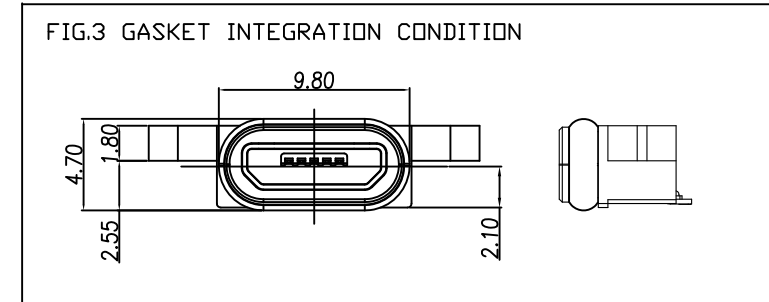
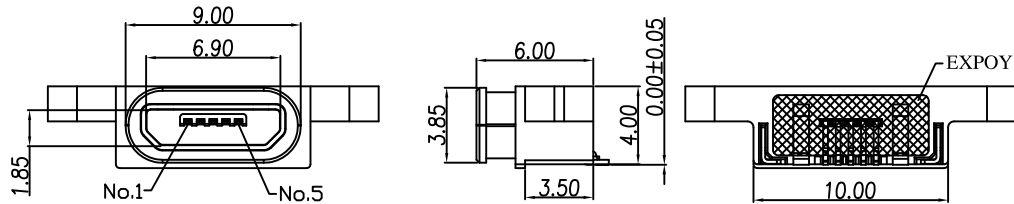
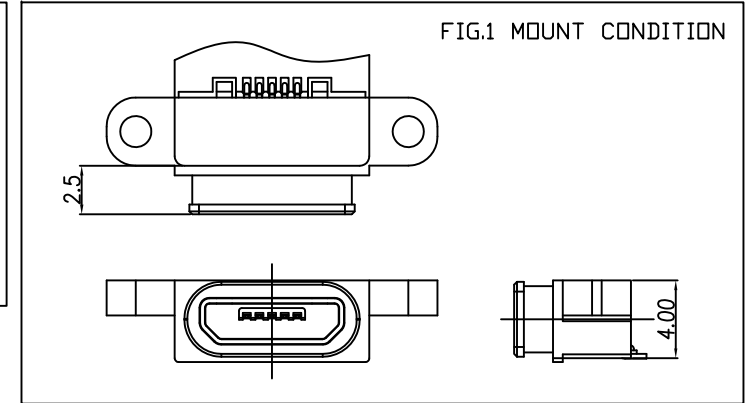
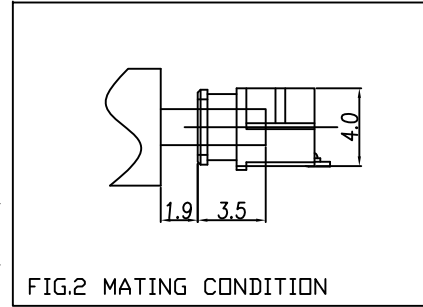
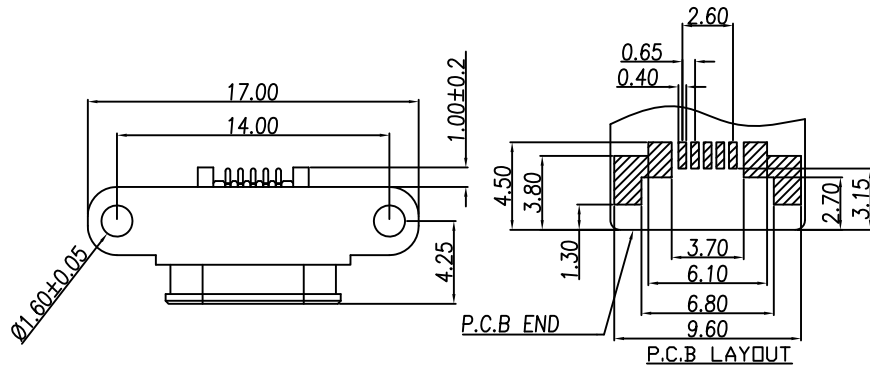


This document is the property of Nian-Yeong Corporation and is delivered on the express condition that it is not to be disclosed, reproduced or used, in whole or in part, for manufacture or sale by anyone other than Nian-Yeong Corporation without its prior consent, and that no right is granted to disclose or to use any information in this document.

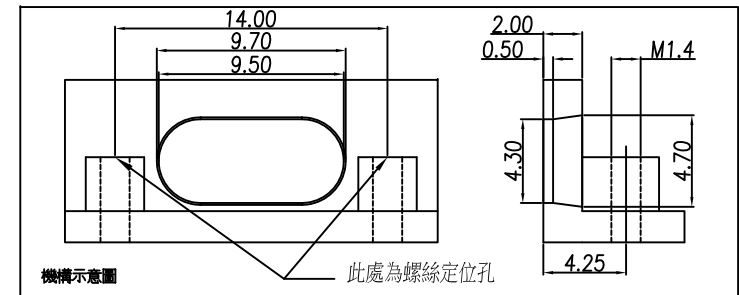
CUSTOMER DRAWING

REV.	DESCRIPTION	APPROVED BY	DATE	ECN NO.
A				
B				
C				



NOTE:

- MATERIAL :**
 - 1-1. HOUSING : LCP UL94V-0 ; COLOR : BLACK
 - 1-2. CONTACT : PHOSPHOR BRONZE
 - 1-3. SHELL : STAINLESS STEEL
 - 1-4. O-RING : SILICON
 - 1-5. PAD : BRASS
- FINISH :**
 - 2-1. CONTACT : CONTACT AERA : GOLD 10u"
GOLD FLASH ON OTHER AERA
UNDERPLATED : NICKEL 50u"
 - 2-2. SHELL : MATTE TIN PLATED
 - 2-3. PAD : MATTE TIN PLATED
- ELECTRICAL SPECIFICATION :**
 - 3-1. CONTACT CURRENT RATING : 1.8A (ONLY PIN1&5) ; OTHER 0.5A (ONLY PIN2,3&4).
 - 3-2. CONTACT VOLTAGE RATING : 30V
 - 3-3. CONTACT RESISTANCE : 30m Ohm MAX
 - 3-4. INSULATION RESISTANCE : 100M Ohm MIN AT DC 500V.
 - 3-5. DIELECTRIC WITHSTANDING VOLTAGE : AC 100V AC/1 MINUTE 10mA.
 - 3-6. WATERPROOF : IPX7
- Environmental :**
 - 4-1. Operation Temperature : -40°~85°



DRAWN	Yeh Chou	APPEND	Emily Suen	UNIT	mm	TOLERANCE		TITLE	waterproof micro usb 5P(F) SMT			SHEET	1
CHOKED	Emily Suen			SCALE	1:1	.x ±0.20 .xx ±0.10 .xxx ±0.05 .xxxx ±0.03 ANGULA ±1°		PART NO.	WP-05F2-82-01	DWG NO.	QC6276	VERSION	A

NIAN YEONG ENTERPRISE
年永實業有限公司

This document is the property of Nian-Yeong Corporation and is delivered on the express condition that it is not to be disclosed, reproduced or used, in whole or in part, for manufacture or sale by anyone other than Nian-Yeong Corporation without its prior consent, and that no right is granted to disclose or to use any information in this document.

CUSTOMER DRAWING

REV.	DESCRIPTION	APPVL. BY	DATE	ECN NO.
A	RELEASE	Fido Weng	08/03/09*	
B	RELEASE	Fido Weng	26/01/10*	
C				

步驟一:

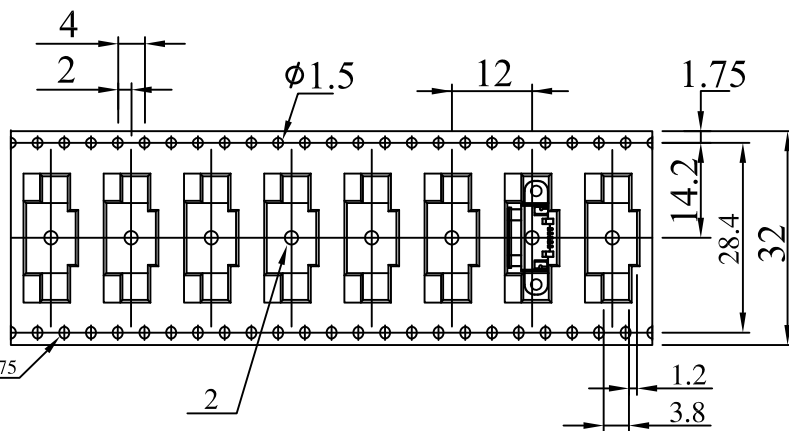
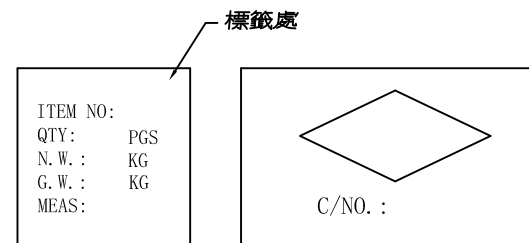
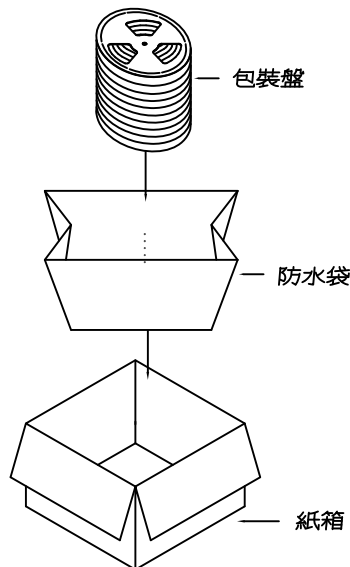
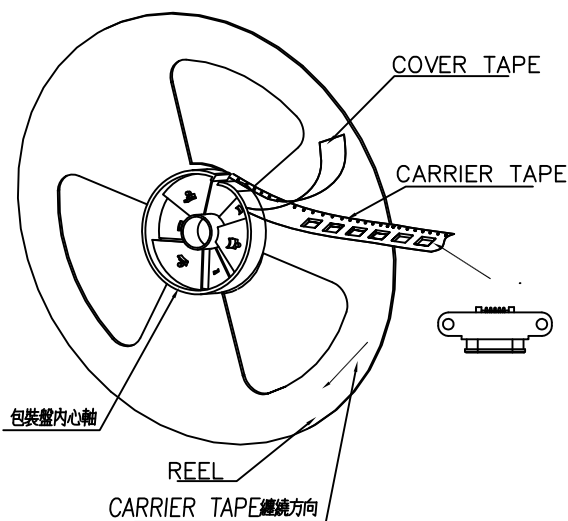
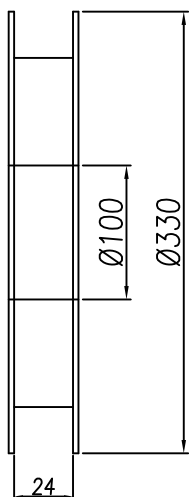
- 將成品一一放入包裝盤內,依同一方向置入。
- 包裝方式,如圖所示。
- 一個包裝盤 1100pcs.

步驟二:

- 一個紙箱可以裝 10 個包裝盤。
- 每盤 1100pcs,每箱 11000pcs.
- 將包裝盤放入防水袋中,包裝完後再封箱。

步驟三:

- 用膠帶將紙箱封實。
- 將標籤貼於紙箱上。



NOTE:

- 若有未裝滿之零數箱,必須以緩衝材塞滿。
- 在搬運過程中要輕拿輕放。
- 載運輸中不可堆放過多,不可有重壓現象。
- 在裝滿產品後,必須空留帶前和帶後 10 格以上,然後用紙膠布貼上。
- 上帶在貼下帶時必須平整,且黏貼處不要出現氣泡。

DRAW	Ren Liao	APPVL	Fido Weng	UNIT	mm	TOLERANCE	 NIAN YEONG ENTERPRISE 年永實業有限公司	TITLE	waterproof micro usb 5P(F) SMT			SHEET	1
CHECK	Emily Suen			SCALE	1:1	.x ±0.20 .xx ±0.10 .xxx ±0.05 .xxxx ±0.03 ANGULA ±1°		PART NO.	PK-WP-05F2-82-01	DWG NO.	QC6276	VERSION	B