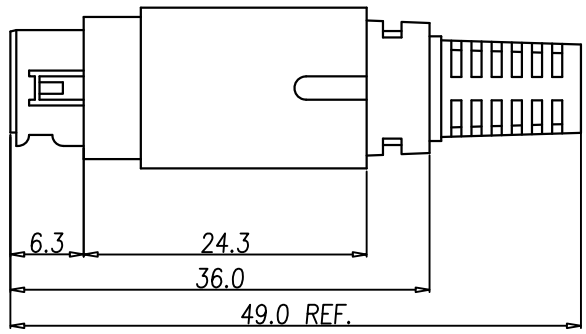
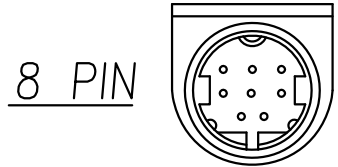
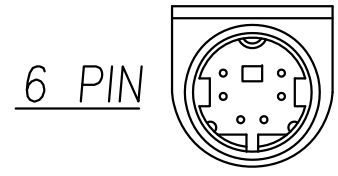
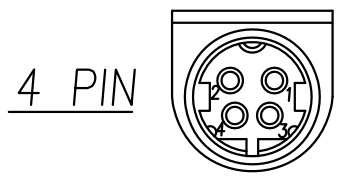
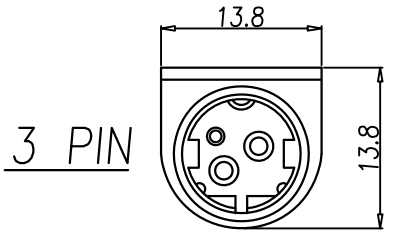


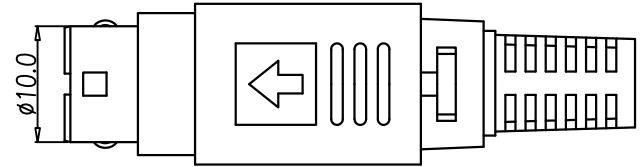
This document is the property of Nian-Yeong Corporation and is delivered on the express condition that it is not to be disclosed, reproduced or used, in whole or in part, for manufacture or sale by anyone other than Nian-Yeong Corporation without its prior consent, and that no right is granted to disclose or to use any information in this document.

# CUSTOMER DRAWING

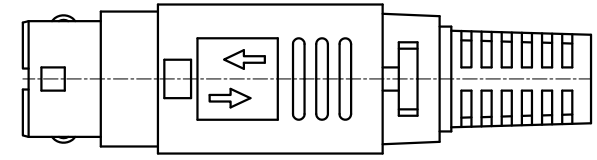
REV.	DESCRIPTION	APPL. BY	DATE	ECN NO.
C	RELEASE TABLE A	Fido Wong	12/01/10"	
D	CHANGE PLASIC TUBE MATERIAL	Emily Suen	16/05/10"	ECN11030
E	變更 TABLE A, 將 PD-04M2-29 翻位出來	Fido Wong	03/12/13"	



單箭頭



雙箭頭



- MATERIAL :
  - 1-1. HOUSING : PBT UL94V-0 ; COLOR : BLACK.
  - 1-2. CONTACT : BRASS.
  - 1-3. PLASTIC COVER : ABS ; COLOR : SEE TABLE A
  - 1-4. PLASTIC TUBE : ABS OR PC ; COLOR : SEE TABLE A
  - 1-5. POM RING : POM ; COLOR : BLACK.
  - 1-6. SR : PVC ; COLOR : SEE TABLE A.
  - 1-7. SPRING : CARBPN STEEL OR STAINLESS STEEL
  - 1-8. METAL CAP : BRASS
  - 1-9. METEL SHELL: BRASS
- FINISH :
  - 2-1. CONTACT : 50 MICRO INCHES MIN. SILVER PLATED
  - 2-4. SPRING : NICKEL PLATED 60u" ~ 100u" OVER ALL.
  - 2-4. METAL CAP : NICKEL PLATED 60u" ~ 100u" OVER ALL.
  - 2-4. METEL SHELL : NICKEL PLATED 60u" ~ 100u" OVER ALL.
- ELETRICAL SPECICATION :
  - 3-1. RATED CURRENT : 4PIN: 7.5A/DC MAX  
3PIN: PIN1 &PIN2 7.5A/DC ; PIN3 1A/DC
  - 3-2. VOLTAGE : 20V/DC MAX
- ENVIRONMENTAL :
  - 4-1. OPERATION TEMPERATURE : -20 ℃~85℃.

DRAW	Ku Chou	APPVL	Emily Suen	UNIT	mm	TOLERANCE			TITLE	PowerDin 翻配式			SHEET
CHECK	Emily Suen			SCALE	1:1	.x ±0.25 .xx ±0.15 .xxx ±0.10 .xxxx ±0.03 ANGULA ±1°			PART NO.	SEE TABLE A	DWG NO.	QC0962	VERSION

NIAN YEONG ENTERPRISE  
年永實業有限公司

This document is the property of Nian-Young Corporation and is delivered on the express condition that it is not to be disclosed, reproduced or used, in whole or in part, for manufacture or sale by anyone other than Nian-Young Corporation without its prior consent, and that no right is granted to disclose or to use any information in this document.

# CUSTOMER DRAWING

## TABLE A

REV.	DESCRIPTION	APPL. BY	DATE	ECN NO.
<u>C</u>	RELEASE TABLE A	Fido Wong	12/01/10*	
<u>D</u>	CHANGE PLASIC TUBE MATERIAL	Emily Suen	16/05/10*	ECN11030
<u>E</u>	變更 TABLE A, # PD-04M2-29 獨立出來	Fido Wong	03/12/13*	

### 3 PIN

### 4 PIN

PD-03M2-45	Power Din 3(M)雙前環裝八件式	5.5	16	BLACK		端子切稱口
PD-03M2-44	Power Din 3(M)單前環裝七件式	無SR		BLACK	二件式	中筒材質:PC/無彈簧
PD-03M2-42	Power Din 3(M)單前環裝八件式	6.5	16.3	BLACK	二件式	無線扣
PD-03M2-41	Power Din 3(M)單前環裝八件式	6.5	16.3	GRAY		
PD-03M2-40	Power Din 3(M)單前環裝八件式	6.5	16.3	BLACK		SR 低鉛
PD-03M2-39	Power Din 3(M)單前環裝八件式	6.5	16.3	BAIGI		
PD-03M2-38	Power Din 3(M)雙前環裝七件式	無SR		BLACK		
PD-03M2-35	Power Din 3(M)雙前環裝七件式	無SR		BLACK	二件式	中筒材質:PC/無彈簧
PD-03M2-34	Power Din 3(M)單前環裝七件式	無SR		BLACK	二件式	中筒材質:PC
PD-03M2-33	Power Din 3(M)雙前環裝八件式	無SR		BLACK	二件式	中筒材質:PC
PD-03M2-32	Power Din 3(M)雙前環裝八件式	7.0	16.15	BLACK		
PD-03M2-31	Power Din 3(M)雙前環裝八件式	6.5	16.3	BLACK		
PD-03M2-30	Power Din 3(M)單前環裝八件式	4.0	15.9±0.3	BLACK		端子切稱口
PD-03M2-28	Power Din 3(M)單前環裝八件式	6.5	16.3	BLACK	二件式	端子切稱口/彈簧材質:不銹鋼
PD-03M2-26	Power Din 3(M)單前環裝八件式	5.5	16	BLACK		SR 黃色
PD-03M2-25	Power Din 3(M)雙前環裝八件式	4.0	15.9±0.3	BLACK		
PD-03M2-24	Power Din 3(M)雙前環裝八件式	5.0	16.4	BLACK		
PD-03M2-23	Power Din 3(M)單前環裝八件式	5.5	16	BLACK	二件式	端子切稱口
PD-03M2-22	Power Din 3(M)單前環裝九件式	7.0	16.15	BLACK	二件式	
PD-03M2-20	Power Din 3(M)單前環裝八件式	7.0	16.15	BLACK		
PD-03M2-18	Power Din 3(M)單前環裝八件式	5.5	16	BLACK		
PD-03M2-17	Power Din 3(M)單前環裝八件式	5.5	16	BLACK		
PD-03M2-15	Power Din 3(M)單前環裝九件式	4.0	15.9±0.3	BLACK	二件式	
PD-03M2-13	Power Din 3(M)單前環裝八件式	5.0	16.4	BLACK		
PD-03M2-11	Power Din 3(M)單前環裝八件式	6.5	16.3	BAIGI	二件式	
PD-03M2-10	Power Din 3(M)單前環裝八件式	6.5	16.3	BLACK		
PD-03M2-08	Power Din 3(M)單前環裝九件式	5.5	16	GRAY	二件式	
PD-03M2-05	Power Din 3(M)單前環裝八件式	5.5	16	BLACK		端子切稱口
PD-03M2-04	Power Din 3(M)單前環裝九件式	6.5	16.3	BLACK	二件式	
PD-03M2-03	Power Din 3(M)單前環裝九件式	6.5	16.3	BLACK	二件式	
PD-03M2-02	Power Din 3(M)單前環裝九件式	5.0	16.4	BLACK	二件式	
PD-03M2-01	Power Din 3(M)單前環裝九件式	5.5	16	BLACK	二件式	
P/N	DESCRIPTION	SR OD ØD:	SR L DIM	COLOR	MATEL SHELL	NOTE

PD-04M2-45-11	Power Din 4(M)雙前環裝八件式	6.5	16.3	BLACK		端子切稱口
PD-04M2-39	Power Din 4(M)雙前環裝七件式	無SR		BLACK		
PD-04M2-36	Power Din 4(M)雙前環裝八件式	4.0	15.9±0.3	BLACK		
PD-04M2-35	Power Din 4(M)雙前環裝八件式	無SR		BLACK	二件式	中筒材質:PC/無彈簧/無外蓋
PD-04M2-34	Power Din 4(M)雙前環裝八件式	5.0	16.4	BLACK		
PD-04M2-33	Power Din 4(M)雙前環裝七件式	無SR		BLACK	二件式	中筒材質:PC/無彈簧
PD-04M2-32	Power Din 4(M)單前環裝八件式	7.0	16.15	BLACK		
PD-04M2-31	Power Din 4(M)單前環裝八件式	無SR		BLACK	二件式	中筒材質:PC/無外蓋
PD-04M2-30	Power Din 4(M)雙前環裝八件式	無SR		BLACK	二件式	中筒材質:PC
PD-04M2-28	Power Din 4(M)單前環裝七件式	無SR		BLACK		中筒材質:PC
PD-04M2-27	Power Din 4(M)單前環裝八件式	6.5	16.3	BLACK		端子切稱口
PD-04M2-24	Power Din 4(M)雙前環裝九件式	5.5	16	BLACK	二件式	
PD-04M2-18	Power Din 4(M)雙前環裝八件式	5.5	16	BLACK		
PD-04M2-16	Power Din 4(M)單前環裝八件式	5.5	16	BLACK		
PD-04M2-15	Power Din 4(M)單前環裝八件式	4.0	15.9±0.3	BLACK		
PD-04M2-14	Power Din 4(M)單前環裝八件式	5.0	16.4	BLACK		
PD-04M2-10	Power Din 4(M)單前環裝八件式	6.5	16.3	BLACK		
PD-04M2-04	Power Din 4(M)雙前環裝八件式	6.5	16.3	BLACK		
P/N	DESCRIPTION	SR OD ØD:	SR L DIM	COLOR	MATEL SHELL	NOTE

### 6 PIN

PD-06M2-03	Power Din 6(M)單前環裝九件式	5.0	16.14	BLACK	二件式	
PD-06M2-02	Power Din 6(M)雙前環裝九件式	6.5	16.3	BLACK	二件式	
PD-06M2-01	Power Din 6(M)單前環裝九件式	6.5	16.3	BLACK	二件式	
P/N	DESCRIPTION	SR OD ØD:	SR L DIM	COLOR	MATEL SHELL	NOTE

### 8 PIN

PD-08M2-05	Power Din 8(M)單前環裝八件式	6.5	16.3	GRAY		
PD-08M2-04	Power Din 8(M)雙前環裝八件式	5.0	16.4	BLACK		
PD-08M2-03	Power Din 8(M)雙前環裝八件式	6.5	16.3	BLACK		
PD-08M2-02	Power Din 8(M)單前環裝九件式	6.5	16.3	BLACK	二件式	
PD-08M2-01	Power Din 8(M)單前環裝八件式	6.5	16.3	BLACK		
P/N	DESCRIPTION	SR OD ØD:	SR L DIM	COLOR	MATEL SHELL	NOTE

DRAW	Ku Chou	APPVL	Emily Suen	UNIT	mm	TOLERANCE			TITLE	PowerDin 裝配式			SHEET
CHECK	Emily Suen			SCALE	1:1	.x ±0.25 .xx ±0.15 .xxx ±0.10 .xxxx ±0.03 ANGULA ±1°			PART NO.	SEE TABLE A	DWG NO.	QC0962	2 6 VERSION E

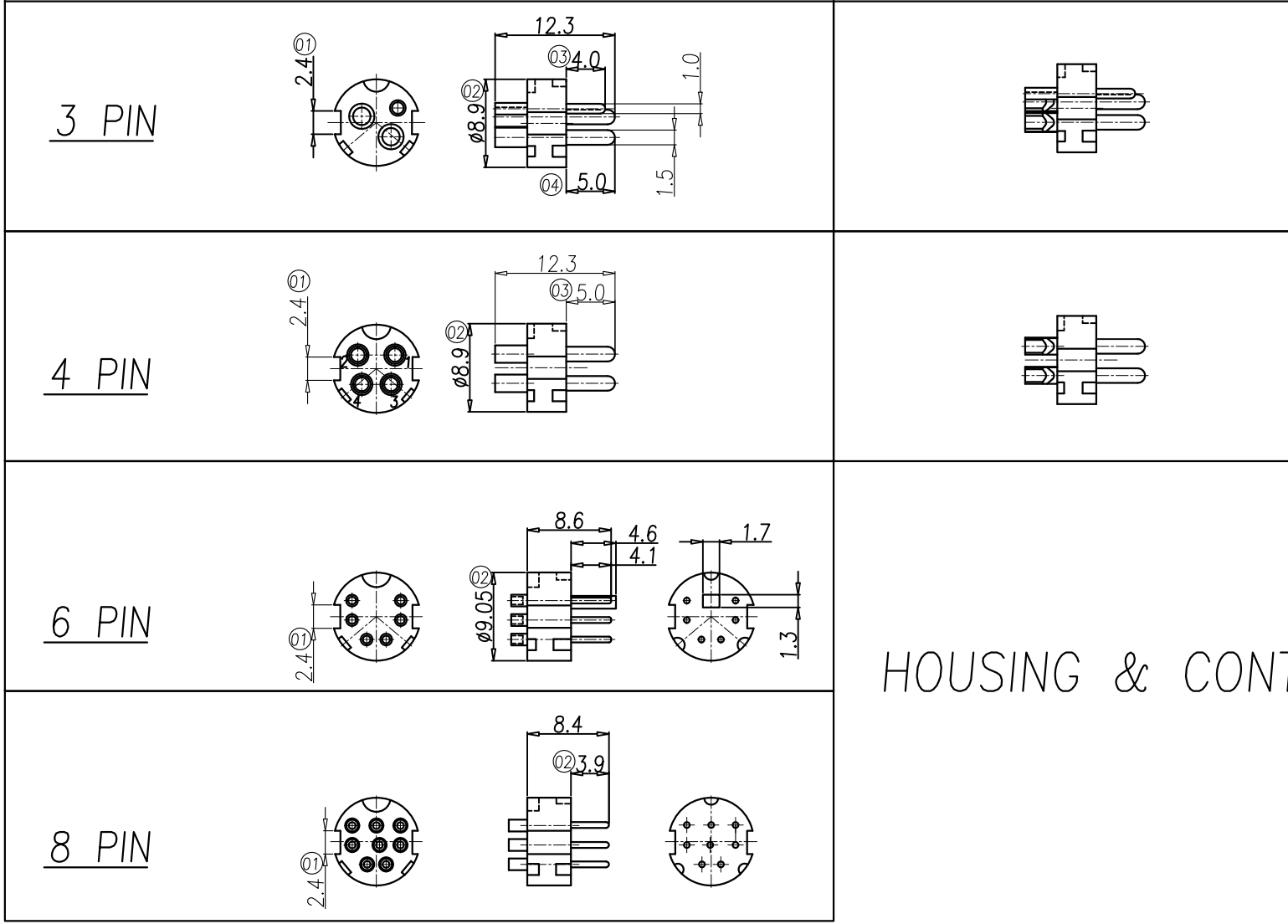
This document is the property of Nian-Yeong Corporation and is delivered on the express condition that it is not to be disclosed, reproduced or used, in whole or in part, for manufacture or sale by anyone other than Nian-Yeong Corporation without its prior consent, and that no right is granted to disclose or to use any information in this document.

CUSTOMER DRAWING

REV.	DESCRIPTION	APPVL. BY	DATE	ECN NO.
C	RELEASE TABLE A	Fido Weng	12/01/10*	
D	CHANGE PLASIC TUBE MATERIAL	Emily Suen	16/05/10*	ECN11030
E	變換 TABLE A, # PD-04M2-29 鍍金版本	Fido Weng	03/12/13*	

TYPE 1

TYPE 2: 切杯口



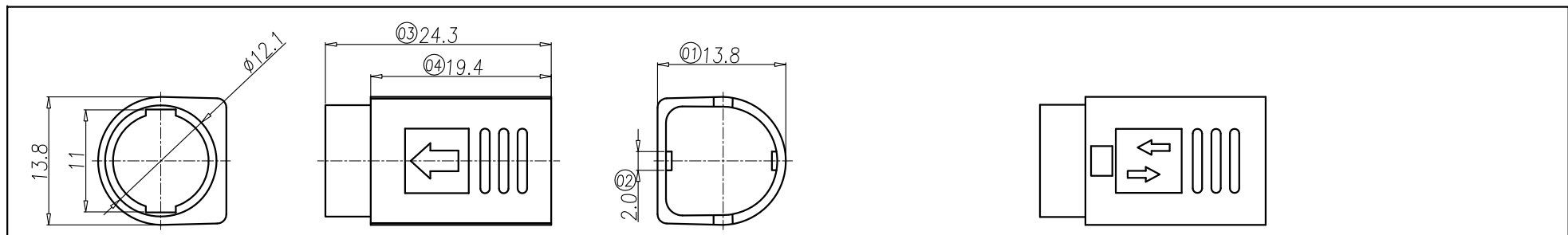
HOUSING & CONTACT ASSEMBLY.

DRAW	Ku Chou	APPVL	Emily Suen	UNIT	mm	TOLERANCE			TITLE	PowerDin 類式			SHEET
CHECK	Emily Suen			SCALE	1:1	.x ±0.20 .xx ±0.10 .xxx ±0.05 .xxxx ±0.03 ANGULA ±1°			年永實業有限公司	PART NO.	SEE TABLE A	DWG NO.	QC0962

This document is the property of Nian-Yeong Corporation and is delivered on the express condition that it is not to be disclosed, reproduced or used, in whole or in part, for manufacture or sale by anyone other than Nian-Yeong Corporation without its prior consent, and that no right is granted to disclose or to use any information in this document.

CUSTOMER DRAWING

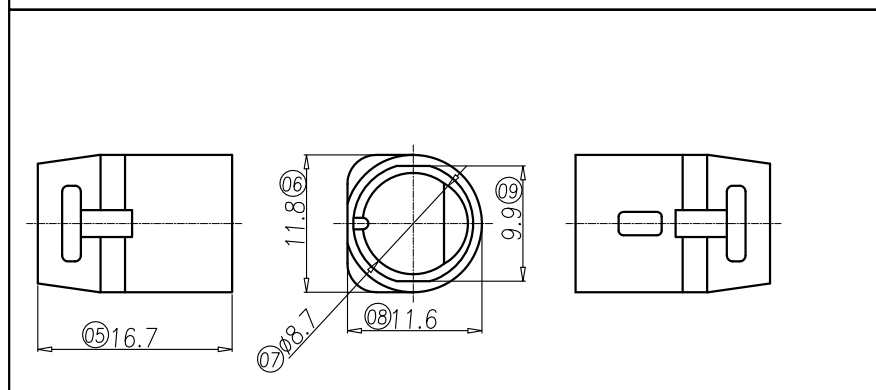
REV.	DESCRIPTION	APPVL. BY	DATE	ECN NO.
△C	RELEASE TABLE A	Fido Weng	12/01/10*	
△D	CHANGE PLASIC TUBE MATERIAL	Emily Suen	16/05/10*	ECN11030
△E	變更 TABLE A, 附 PD-04M2-29 獨立裝架	Fido Weng	03/12/13*	



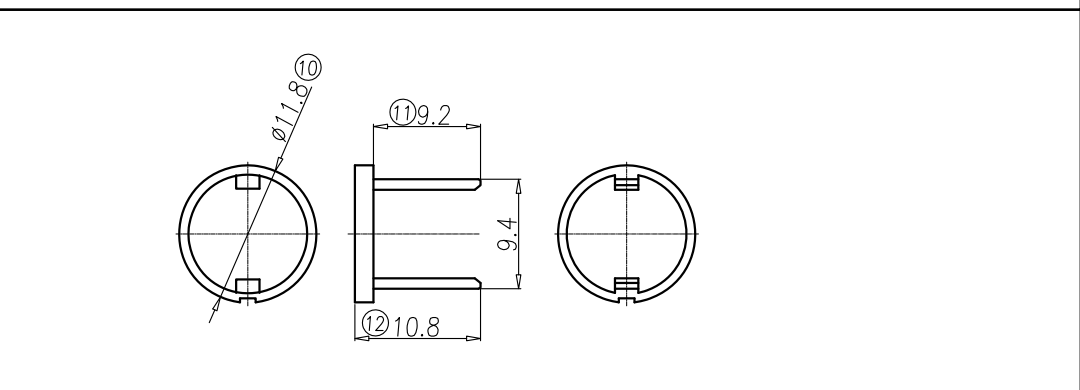
TYPE 1:單箭頭

TYPE 2:雙箭頭

PLASTIC COVER



PLASTIC TUBE



POM RING

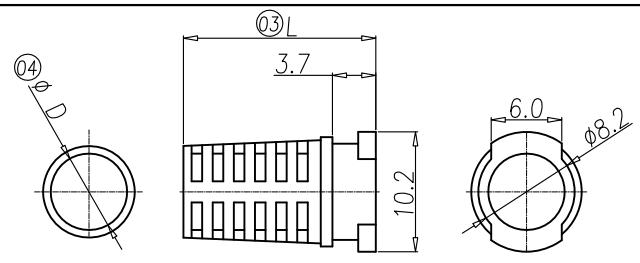
DRAW	Ku Chou	APPVL	Emily Suen	UNIT	mm	TOLERANCE			TITLE	PowerDin 裝配式			SHEET	
CHECK	Emily Suen			SCALE	1:1						PowerDin 裝配式	SEE TABLE A	DWG NO.	QC0962
								NIAN YEONG ENTERPRISE 年永實業有限公司	PART NO.				VERSION	E

This document is the property of Nian-Yeong Corporation and is delivered on the express condition that it is not to be disclosed, reproduced or used, in whole or in part, for manufacture or sale by anyone other than Nian-Yeong Corporation without its prior consent, and that no right is granted to disclose or to use any information in this document.

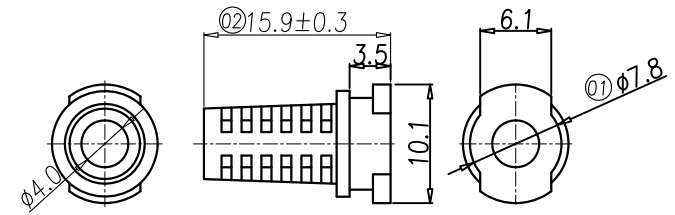
CUSTOMER DRAWING

REV.	DESCRIPTION	APPVL. BY	DATE	ECN NO.
C	RELEASE TABLE A	Fido Weng	12/01/10"	
D	CHANGE PLASIC TUBE MATERIAL	Emily Suen	16/05/10"	ECN11030
E	變更 TABLE A, # PD-04M2-29 獨立零件	Fido Weng	03/12/13"	

SR

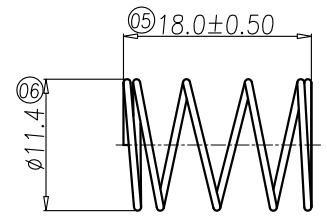


TYPE 1:  
OD :SEE TABLE A

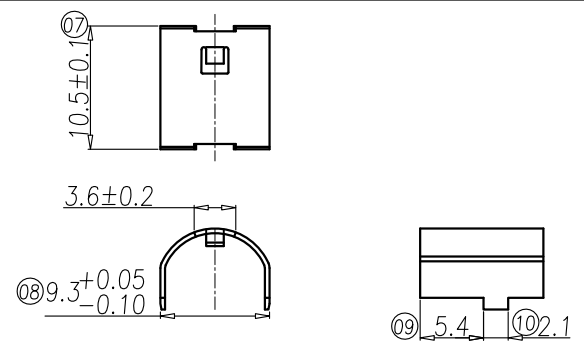


TYPE 2:OD:φ4.0

SPRING



MATEL CAP



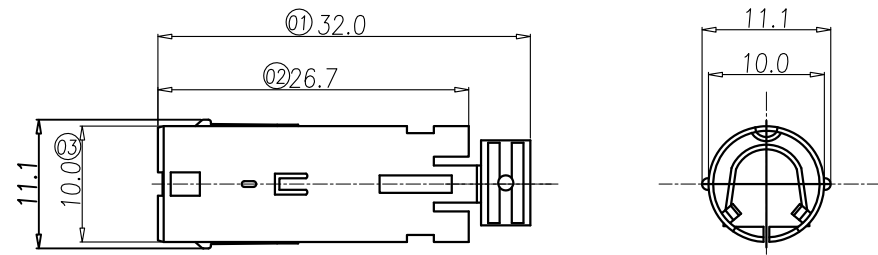
DRAW	Ku Chou	APPVL	Emily Suen	UNIT	mm	TOLERANCE		TITLE	PowerDin 款式			SHEET
CHECK	Emily Suen			SCALE	1:1	.x ±0.20 .xx ±0.10 .xxx ±0.05 .xxxx ±0.03 ANGULA ±1°		NIAN YEONG ENTERPRISE 年永實業有限公司	PART NO.	SEE TABLE A	DWG NO.	QC0962

This document is the property of Nian-Yeong Corporation and is delivered on the express condition that it is not to be disclosed, reproduced or used, in whole or in part, for manufacture or sale by anyone other than Nian-Yeong Corporation without its prior consent, and that no right is granted to disclose or to use any information in this document.

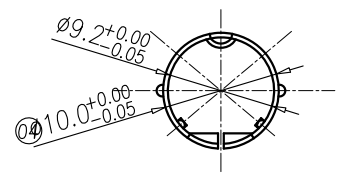
CUSTOMER DRAWING

REV.	DESCRIPTION	APPVL. BY	DATE	ECN NO.
C	RELEASE TABLE A	Fido Weng	12/01/10*	
D	CHANGE PLASIC TUBE MATERIAL	Emily Suen	16/05/10*	ECN11030
E	變更 TABLE A, 附 PD-04M2-29 獨立出來	Fido Weng	03/12/13*	

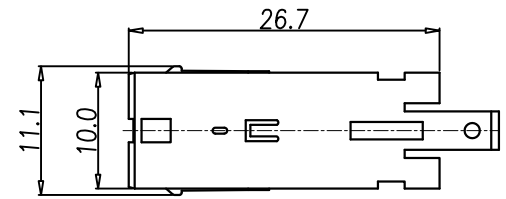
TYPE 1: 一件式 (銅管 + 線扣)



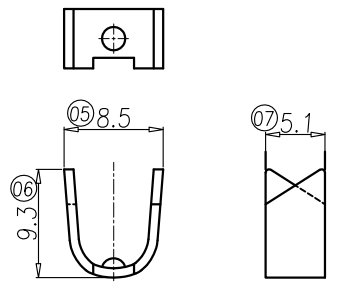
銅管



TYPE 2: 二件式



線扣



MATEL SHELL

DRAW	Ku Chou	APPVL	Emily Suen	UNIT	mm	TOLERANCE		TITLE	PowerDin 插配式			SHEET	6/6
CHECK	Emily Suen			SCALE	1:1	.x ±0.20 .xx ±0.10 .xxx ±0.05 .xxxx ±0.03 ANGULA ±1°		NIAN YEONG ENTERPRISE 年永實業有限公司	PART NO.	SEE TABLE A	DWG NO.	QC0962	