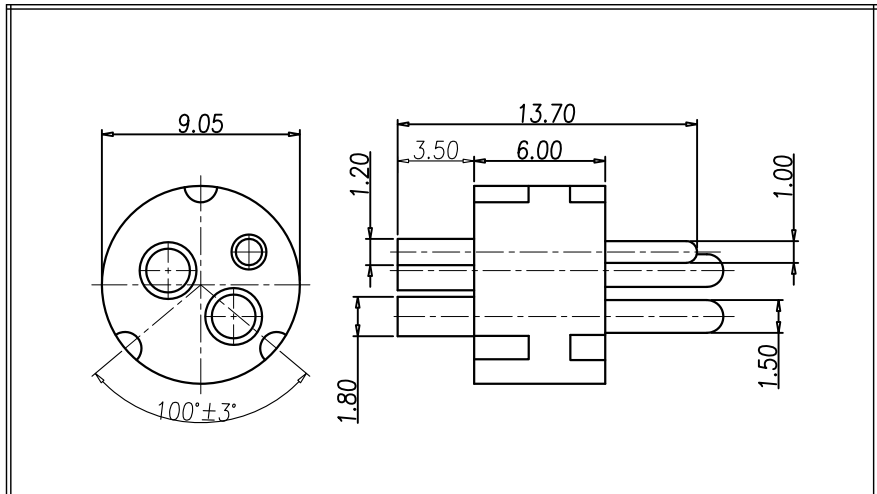


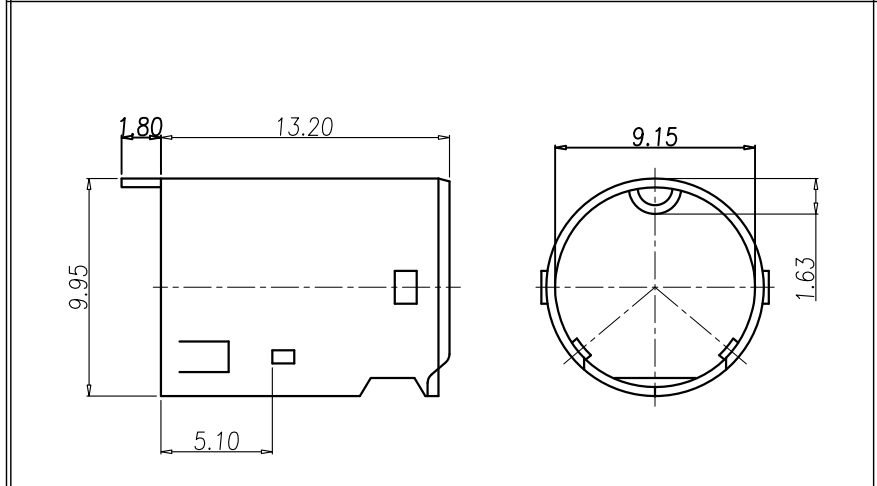
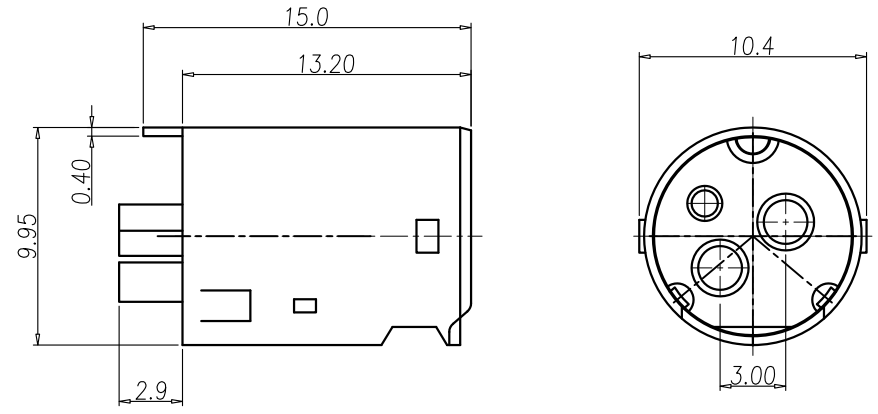
This document is the property of Nian-Yeong Corporation and is delivered on the express condition that it is not to be disclosed, reproduced or used, in whole or in part, for manufacture or sale by anyone other than Nian-Yeong Corporation without its prior consent, and that no right is granted to disclose or to use any information in this document.

CUSTOMER DRAWING

REV.	DESCRIPTION	APPROVED BY	DATE	ECN NO.
A	RELEASE	Fido Weng	14/04/09*	
B				
C				



NY-DM099(HOUSING&PIN)



OY-DM0031(SHELL)

1. MATERIAL :
 - 1-1. HOUSING : PBT UL94V-0 ; COLOR : BLACK
 - 1-2. CONTACT : BRASS
 - 1-3. SHELL : BRASS
2. FINISH :
 - 2-1. CONTACT : 50 MICRO INCHES MIN. SILVER PLATED
UNDER PLATE : NICKEL
 - 2-2. SHELL : NICKEL PLATED 50u" OVER ALL
3. ELECTRICAL SPECIFICATION :
 - 3-1. Rated current : 7.5A
 - 3-2. Rated voltage : 25V
4. Environmental :
 - 4-1. Operation Temperature : -20℃~85℃

DRAWN	Mark Kao	APPEND	Ku Chou	UNIT	mm	TOLERANCE		TITLE	POWER DIN 3PIN(M) MOLDING TYPE			SHEET
CHOKED	Emily Suen			SCALE	1:1	.x ±0.20 .xx ±0.10 .xxx ±0.05 .xxxx ±0.03 ANGULA ±1°		PART NO.	PD-03M2-21	DWG NO.	QC2039	VERSION

NIAN YEONG ENTERPRISE
年永實業有限公司