

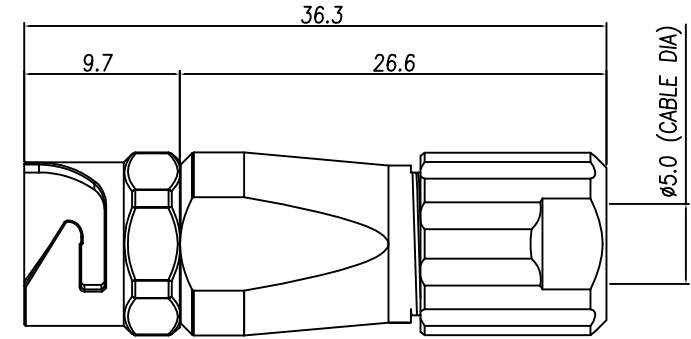
This document is the property of Nian-Yeong Corporation and is delivered on the express condition that it is not to be disclosed, reproduced or used, in whole or in part, for manufacture or sale by anyone other than Nian-Yeong Corporation without its prior consent, and that no right is granted to disclose or to use any information in this document.

# CUSTOMER DRAWING

REV.	DESCRIPTION	APPROVED BY	DATE	ECN NO.
A	RELEASE	Emily Suen	25/10/11*	
B				
C				
D				

TABLE A

CONTACT ARRANGEMENT(FRONT VIEW)	
WP-03F2-30	WP-06F2-23



1. MATERIAL :

- 1-1. HOUSING : PPS UL94V-0  
COLOR : BLACK
- 1-2. CONTACT : PHOSPHOR BRONZE
- 1-3. JACK SHELL : ZINC ALLOY
- 1-4. BACK SHELL : ZINC ALLOY
- 1-5. SHIELDING : PHOSPHOR BRONZE
- 1-6. O-RING 2 : EPDM
- 1-7. CLAMP : BRASS
- 1-8. O-RING 3 : NBR ; COLOR : BLACK
- 1-9. STRAIN RELIEF COLLAR : NYLON66 UL94V-0 ; COLOR : WHITE
- 1-10. TIGHTENING COLLAR : PPS ; COLOR : BROWN

2. FINISH :

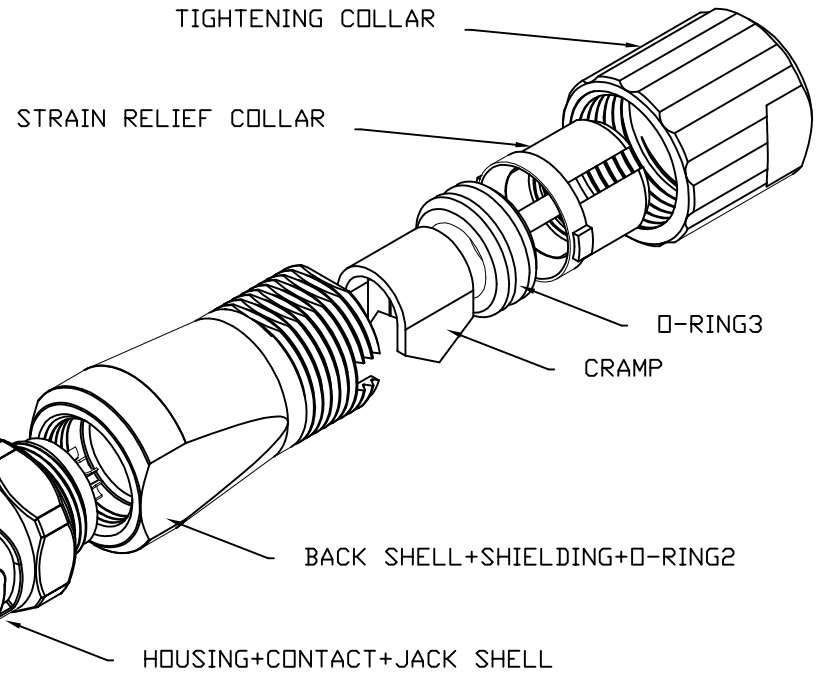
- 2-1. CONTACT : GOLD FLASH
- 2-2. JACK SHELL : NICKEL
- 2-3. BACK SHELL : NICKEL
- 2-4. SHIELDING : NICKEL
- 2-5. CLAMP : NICKEL

3. ELECTRICAL SPECIFICATION :

- 3-1. Rated current : 3PIN 5A ; 6PIN 2A
- 3-2. Rated voltage : 3PIN 125V AC / 175V DC ;  
6PIN 30V AC / 42V DC
- 3-3. Water proof : IP67

4. Environmental :

- 4-1. Operation Temperature : -25°C~85°C

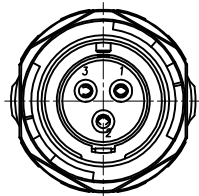
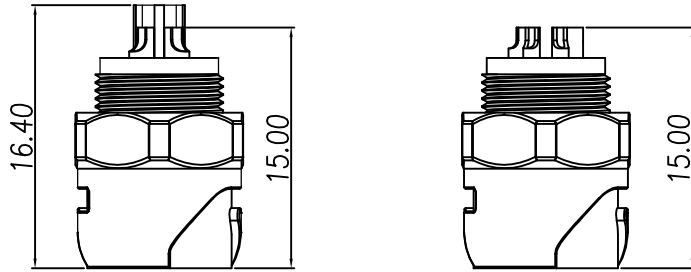


DRAWN	Mark Kao	APPVL	Ku Chou	UNIT	mm	TOLERANCE				TITLE	WP (F) 插頭式 (JACK-LF07 TYPE)			SHEET
CHK'D	Emily Suen			SCALE	1:1	.x ±0.20 .xx ±0.10 .xxx ±0.05 .xxxx ±0.03 ANGULA ±1°					PART NO.	SEE TABLE A	DWG NO.	QC5716
NIAN YEONG ENTERPRISE 年永實業有限公司										VERSION	A		A	

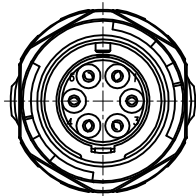
This document is the property of Nian-Yeong Corporation and is delivered on the express condition that it is not to be disclosed, reproduced or used, in whole or in part, for manufacture or sale by anyone other than Nian-Yeong Corporation without its prior consent, and that no right is granted to disclose or to use any information in this document.

CUSTOMER DRAWING

REV.	DESCRIPTION	APPROVED BY	DATE	ECN NO.
A	RELEASE	Emily Suen	22/08/11'	
B				
C				
D				

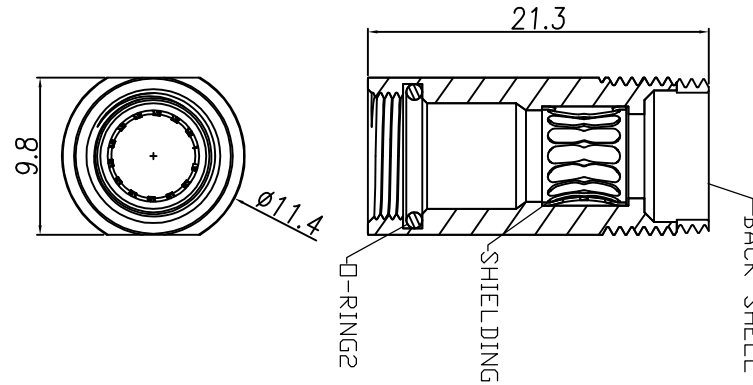


3P

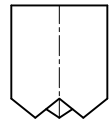


6P

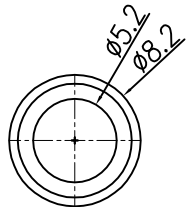
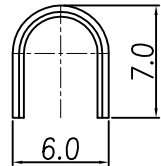
HOUSING+CONTACT+JACK SHELL



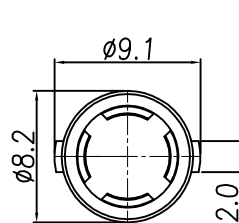
BACK SHELL+SHIELDING+O-RING2



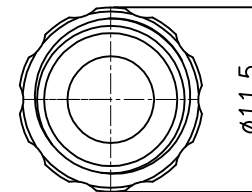
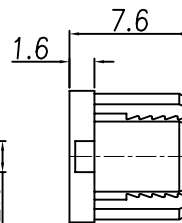
CRAMP



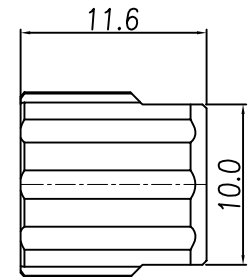
O-RING3



STRAIN RELIEF COLLAR



TIGHTENING COLLAR



DRAWN	Mark Kao	APPVL	Ku Chou	UNIT	mm	TOLERANCE .x ±0.20 .xx ±0.10 .xxx ±0.05 .xxxx ±0.03 ANGULA ±1°		NIAN YEONG ENTERPRISE 年永實業有限公司	TITLE	WP (F) 插頭式 (JACK-LF07 TYPE)			SHEET	2/2
CHK'D	Emily Suen			SCALE	1:1				PART NO.	SEE TABLE A	DWG NO.	QC5716	VERSION	A