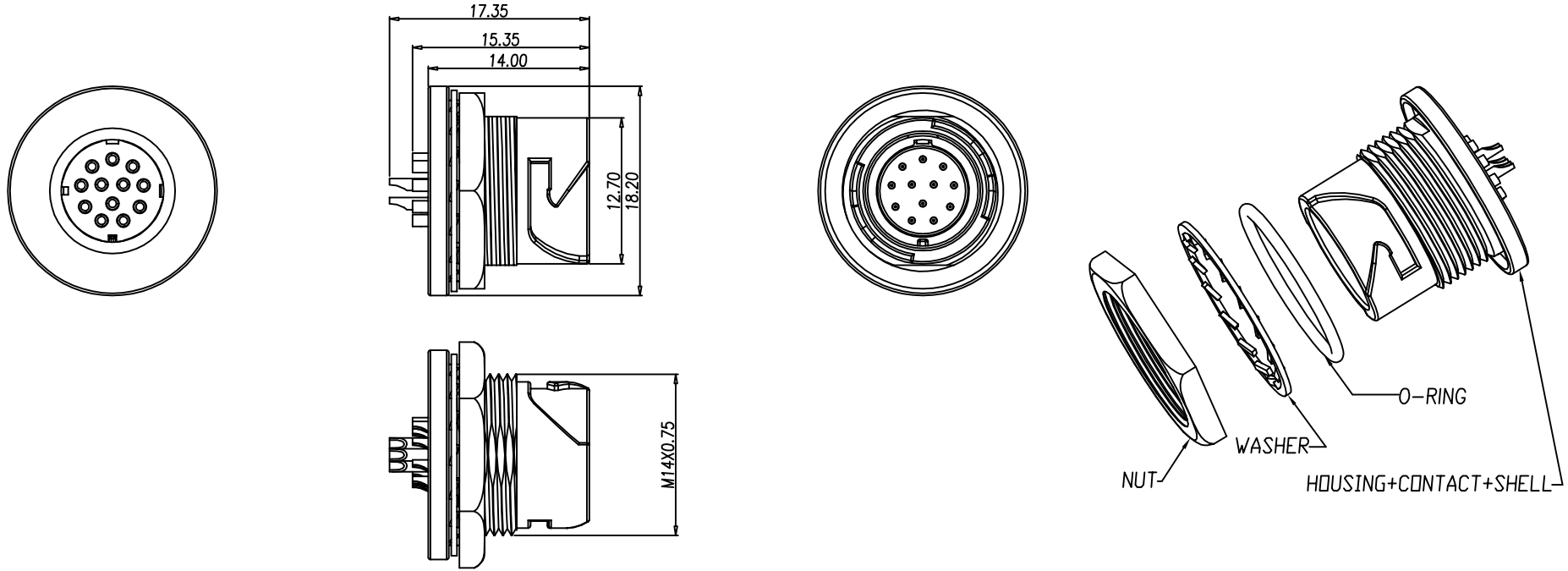


This document is the property of Nian-Yeong Corporation and is delivered on the express condition that it is not to be disclosed, reproduced or used, in whole or in part, for manufacture or sale by anyone other than Nian-Yeong Corporation without its prior consent, and that no right is granted to disclose or to use any information in this document.

CUSTOMER DRAWING

REV.	DESCRIPTION	APPROVED BY	DATE	ECN NO.
A				
B				
C				



Contact position arrangement and specifications

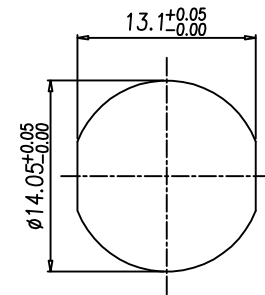
Contact configuration		Withstanding voltage	300V AC	Operating temperature range	-25°C to +85°C
		Voltage rating	30V AC, 42V DC	Storage temperature range	-10°C to +60°C
		Current rating	2A	Insulation resistance	1000MΩ
		Contact resistance	15MΩ	Water proof	IP67

MATERIAL

HOUSING	PPS UL94V-0/BLACK	RECEPTACLE SHELL	ZINC ALLOY	WASHER	PHOSPHOR BRONZE
CONTACT	BRASS	NUT	BRASS	O-RING	EPDM/BLACK

FINISH

CONTACT	GOLD FLASH	RECEPTACLE SHELL	NICKEL	Internal Tooth Washers	NICKEL
NUT	NICKEL				



RECOMMENDPANEL CUT-OUT

DRAWN	Leo	APP'D	Ku Chou	UNIT	mm	TOLERANCE		NIAN YEONG ENTERPRISE 年永實業有限公司	TITLE	DIN 12PIN(M) LF 前鎖焊線式			SHEET
CHK'D	Emily Suen			SCALE	1:1	.x ±0.20 .xx ±0.10 .xxx ±0.05 .xxxx ±0.03 ANGULA ±1°			PART NO.	DI-12M2-06-11	DWG NO.	QC6514	VERSION A