

This document is the property of Nian-Yeong Corporation and is delivered on the express condition that it is not to be disclosed, reproduced or used, in whole or in part, for manufacture or sale by anyone other than Nian-Yeong Corporation without its prior consent, and that no right is granted to disclose or to use any information in this document.

CUSTOMER DRAWING

REV.	DESCRIPTION	APPROVED BY	DATE	ECN NO.
A	RELEASE	Fido Weng	04/08/09*	
B	CHANGE & DIN	Fido Weng	26/04/10*	ECN10041
C				

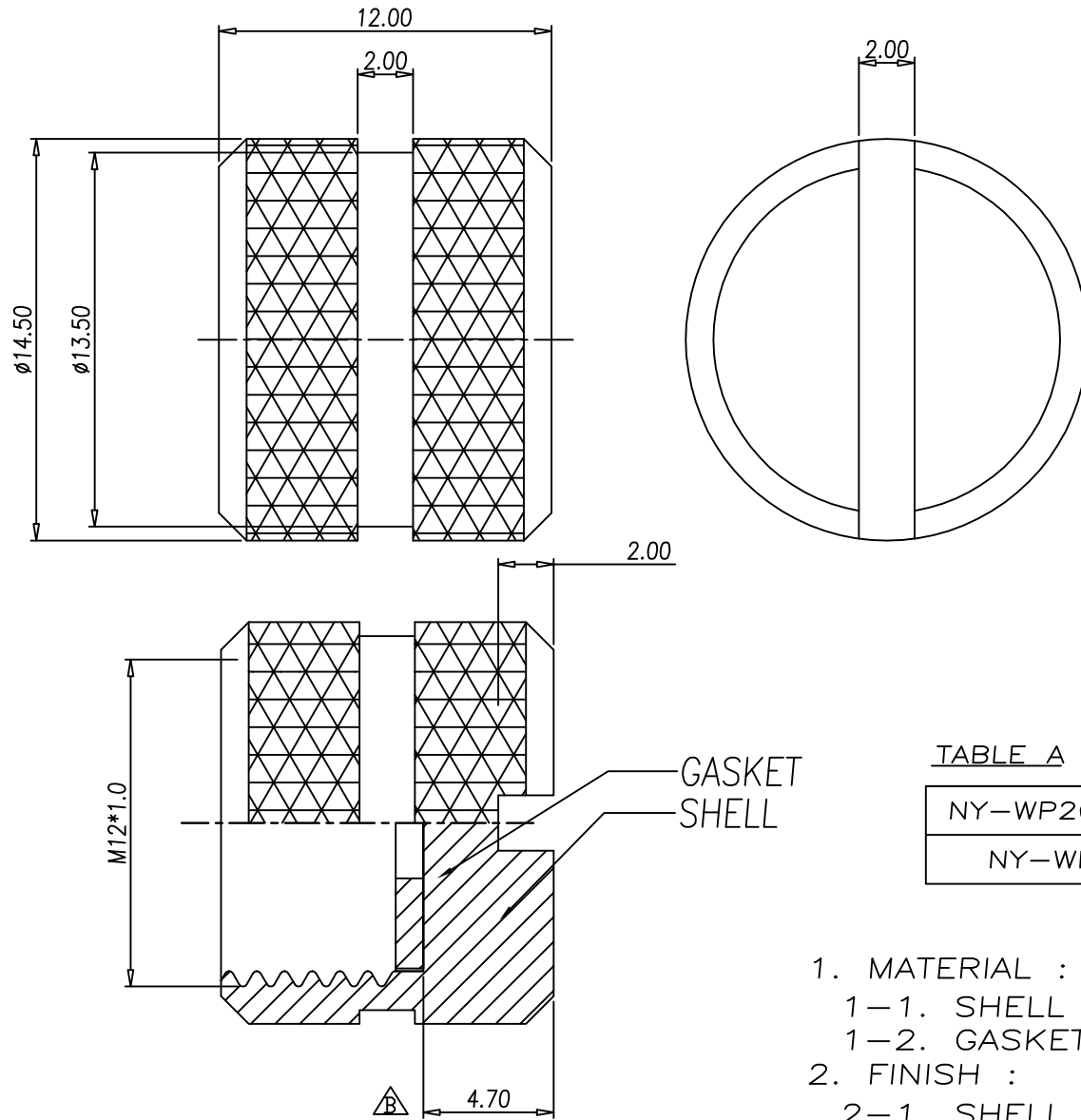


TABLE A

NY-WP2063-01	STAINLESS STEEL 316	PASSIVATION
NY-WP227	BRASS	NICKEL PLATED

1. MATERIAL :
 - 1-1. SHELL : SEE TABLE A
 - 1-2. GASKET : SILICONE ; COLOR : BLACK
2. FINISH :
 - 2-1. SHELL : SEE TABLE A

DRAWN	Jen Xie	APP'D	Fido Weng	UNIT	mm	TOLERANCE		NIAN YEONG ENTERPRISE 年永實業有限公司	TITLE	M12 防塵蓋+墊片			SHEET	
CHK'D	Emily Suen	SCALE	1:1	.x	±0.10	.xx			±0.05	PART NO.	SEE TABLE A	DWG NO.	QC4380	