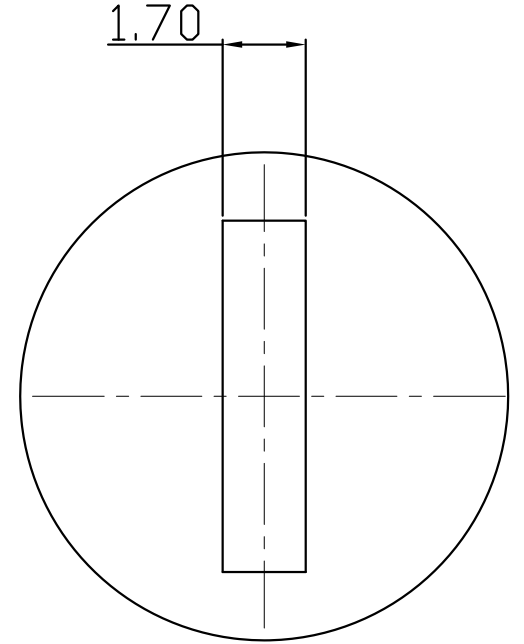
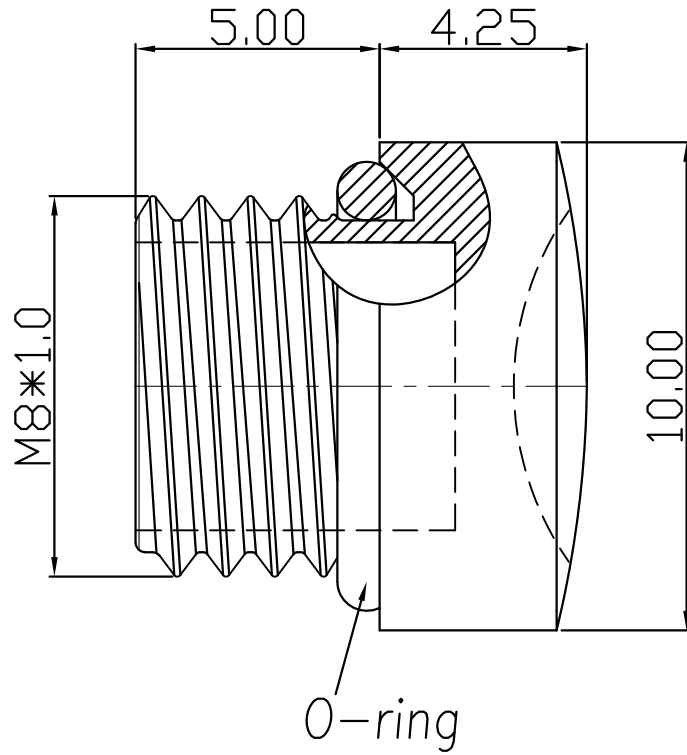
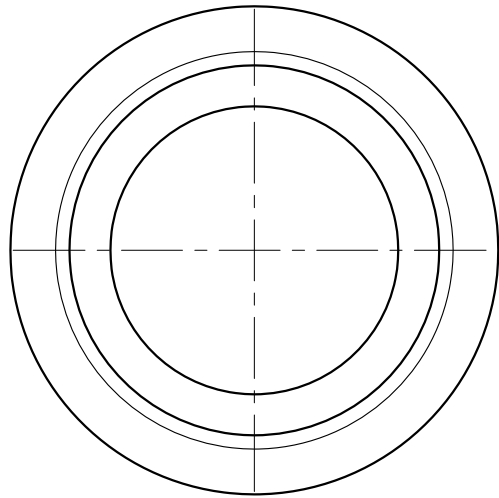


This document is the property of Nian-Yeong Corporation and is delivered on the express condition that it is not to be disclosed, reproduced or used, in whole or in part, for manufacture or sale by anyone other than Nian-Yeong Corporation without its prior consent, and that no right is granted to disclose or to use any information in this document.

CUSTOMER DRAWING

REV.	DESCRIPTION	APPROVED BY	DATE	ECN NO.
A	RELEASE	Fido Weng	12/03/10	
B				
C				



NOTE :

1. MATERIAL : BRASS
2. O-RING : NBR
3. FINISH : NICKEL 100u"

DRAWN	Ku Chou	APP'D	Emily Suen	UNIT	mm	TOLERANCE		TITLE	WP M8 COVER(銅)(油封槽)+O-ring			SHEET	
CHK'D	Emily Suen	SCALE	1:1	TOLERANCE	.x ±0.20 .xx ±0.15 .xxx ±0.10 .xxxx ±0.05 ANGULA ±1°	PART NO.		NY-WP367	DWG NO.	QC5372	VERSION	A	

NIAN YEONG ENTERPRISE
年永實業有限公司