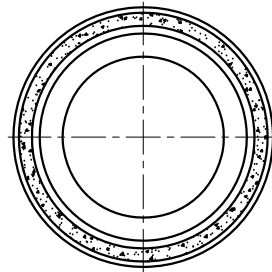
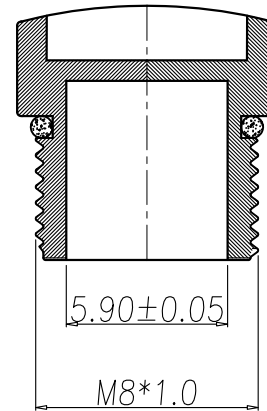
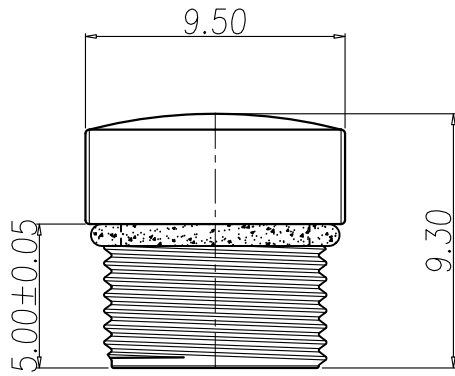
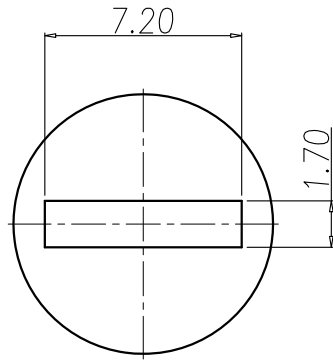


This document is the property of Nian-Yeong Corporation and is delivered on the express condition that it is not to be disclosed, reproduced or used, in whole or in part, for manufacture or sale by anyone other than Nian-Yeong Corporation without its prior consent, and that no right is granted to disclose or to use any information in this document.

CUSTOMER DRAWING

REV.	DESCRIPTION	APPROVED BY	DATE	ECN NO.
A	RELEASE	Fido Weng	22/12/08*	
B				
C				



- MATERIAL :
 - 1-1. HOUSING : PBT UL94V-0 ; COLOR : BLACK
 - 1-2. O-RING : NBR ; COLOR : BLACK
- Housing Cannot have the shrinkage, the fragments, the lack materials , and so on undesirable tendency
- The male and female spiral tooth must to turn smoothly.

DRAWN	Emily Suen	APP'D	Fido Weng	UNIT	mm	TOLERANCE		TITLE	WP M8 COVER(PBT)+O-ring			SHEET
CHK'D	Emily Suen			SCALE	1:1	.x ±0.20 .xx ±0.10 .xxx ±0.05 .xxxx ±0.03 ANGULA ±1°		PART NO.	NY-WP059	DWG NO.	QC1334	VERSION
							NIAN YEONG ENTERPRISE					
							年永實業有限公司					