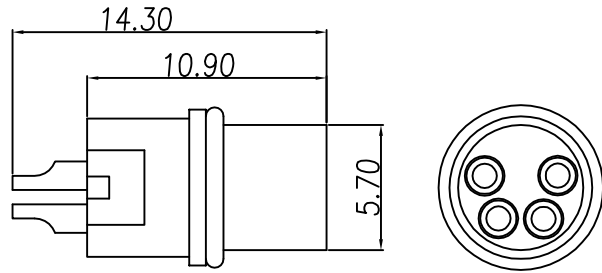


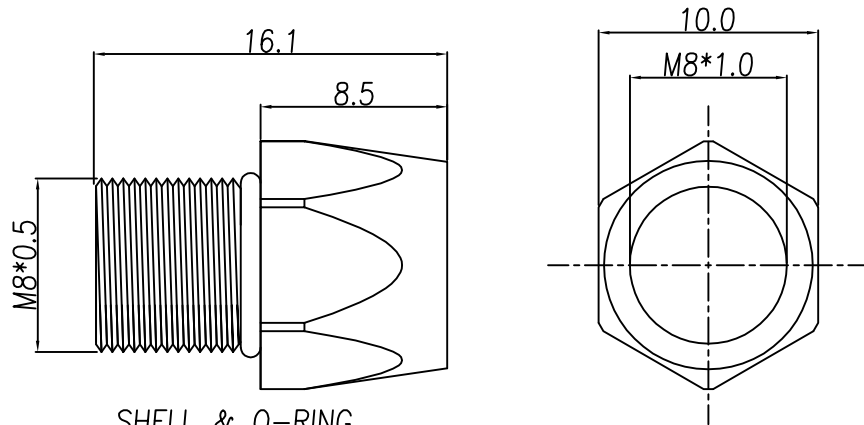
This document is the property of Nian-Yeong Corporation and is delivered on the express condition that it is not to be disclosed, reproduced or used, in whole or in part, for manufacture or sale by anyone other than Nian-Yeong Corporation without its prior consent, and that no right is granted to disclose or to use any information in this document.

# CUSTOMER DRAWING

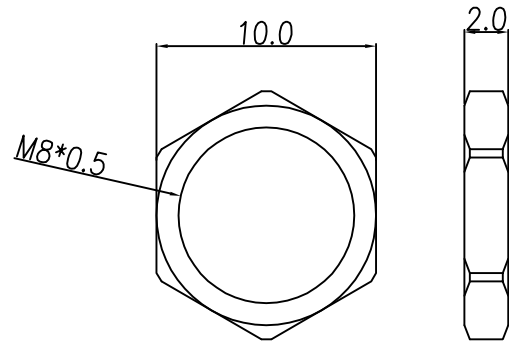
REV.	DESCRIPTION	APPVL. BY	DATE	ECN NO.
A	RELEASE	Fido Weng	26/03/14*	
B				
C				



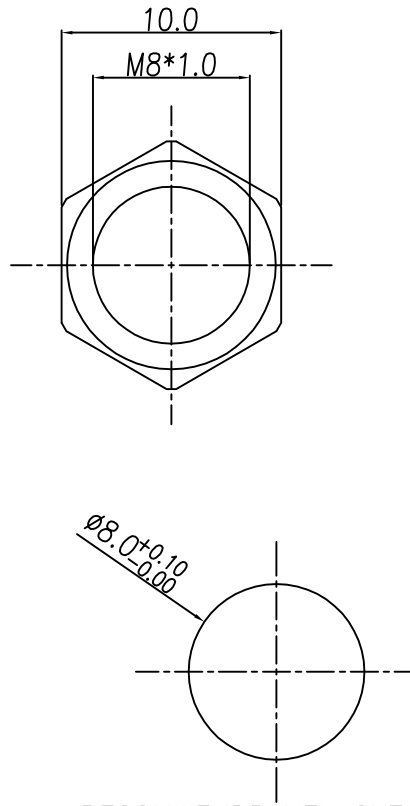
HPUSING & PIN & O-RING



SHELL & O-RING



NUT



RECOMMENDPANEL CUT-OUT

NOTE:

- MATERIAL :
  - HOUSING : PBT UL94V-0 ; COLOR : BLACK
  - CONTACT : BRASS.
  - SHELL : BRASS.
  - NUT : BRASS.
  - O-RING : EPDM ; COLOR : BLACK
- FINISH :
  - CONTACT : GOLD FLASH.
  - SHELL : NICKEL PLATED.
  - NUT : NICKEL PLATED.
- ELECTRICAL SPECIFICATION :
  - Rated current : 4A
  - Rated voltage : 60V
  - Water proof : IP67
- Environmental :
  - Operation Temperature : -20°C~85°C

TABLE A/表A

WP-03F2-43-11	WP-04F2-07-11

DRAW	Ku Chou	APPVL	Emily Suen	UNIT	mm	TOLERANCE		TITLE	防水頭 M8-(F) 後銷線式			SHEET	
CHECK	Emily Suen	SCALE	1:1	TOLERANCE	.x ±0.20 .xx ±0.10 .xxx ±0.05 .xxxx ±0.03 ANGULA ±1°	PART NO.		SEE TABLE A	DWG NO.	QC6621	VERSION	A	

NIAN YEONG ENTERPRISE  
年永實業有限公司