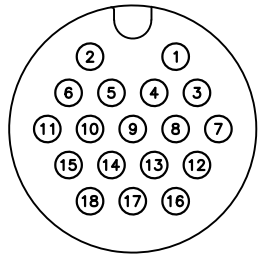


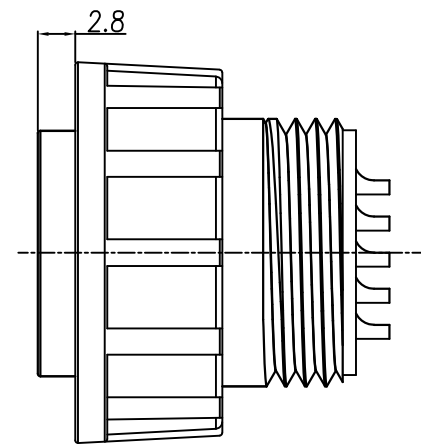
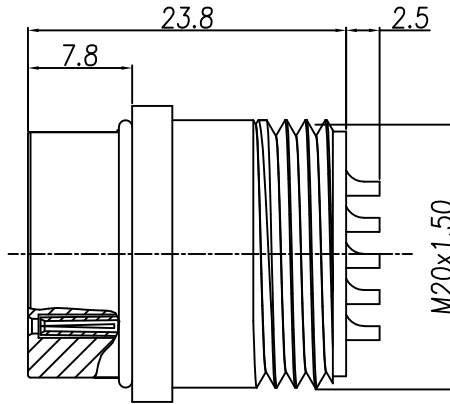
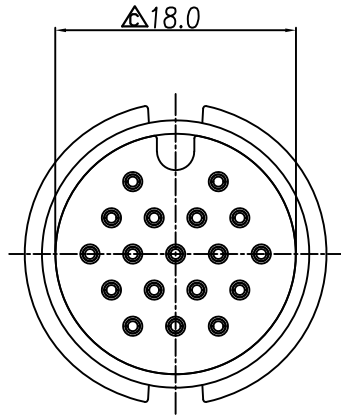
This document is the property of Nian-Yeong Corporation and is delivered on the express condition that it is not to be disclosed, reproduced or used, in whole or in part, for manufacture or sale by anyone other than Nian-Yeong Corporation without its prior consent, and that no right is granted to disclose or to use any information in this document.

CUSTOMER DRAWING

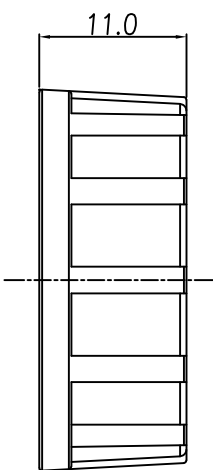
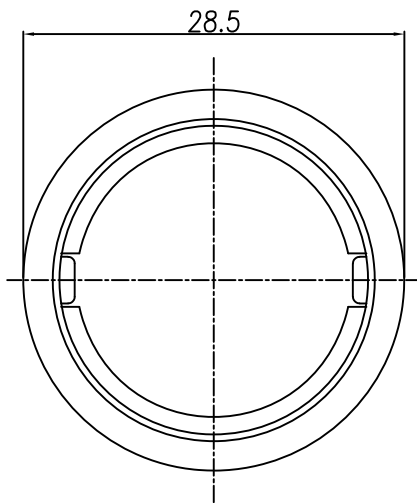
| REV. | DESCRIPTION | APPROVED BY | DATE | ECN NO. |
|------|----------------------------|-------------|------------|-----------|
| A | RELEASE | Yeh Chou | 2017/09/07 | |
| B | 增加視圖 & 修正尺寸, O-RING材質與電度規格 | KU Chou | 02/05/18' | |
| C | 變更尺寸 | LED | 13/12/22' | ECN-22025 |
| D | | | | |



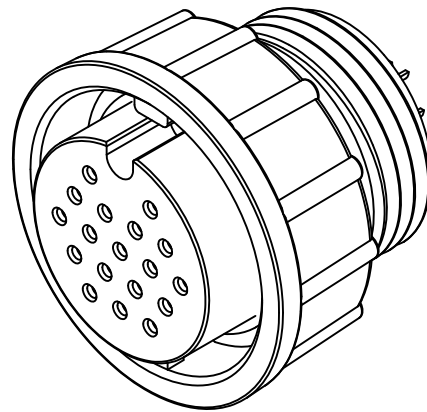
PIN CONFIGURATION



ASS'Y



NUT



1. MATERIAL :
 - 1-1. HOUSING : PA66 UL94V-0 ; COLOR : BLACK
 - 1-2. CONTACT : BRASS
 - △ 1-3. O-RING : SILICONE
 - 1-4. NUT : PA66 UL94V-0 ; COLOR : BLACK
2. FINISH :
 - △ 2-1. CONTACT : GOLD FLASH PLATED
3. ELECTRICAL SPECIFICATION :
 - 3-1. RATED CURRENT: 5A
 - 3-2. RATED VOLTAGE : 300V
 - 3-3. WATER PROOF: IP67
4. ENVIRONMENTAL :
 - 4-1. OPERATION TEMPERATURE : -20℃~80℃

| | | | | | | | | | | | | |
|-------|----------|-------|---------|-------|-----|--|--|----------|-----------------------------|---------|--------|---------|
| DRAWN | Yeh Chou | APP'D | KU Chou | UNIT | mm | TOLERANCE | | TITLE | D SIZE 18P (FEMALE PIN) 線縮繪 | | | SHEET |
| CHK'D | KU Chou | | | SCALE | 1:1 | .x ±0.20 .xx ±0.10 .xxx ±0.05 .xxxx ±0.03 ANGULA ±1° | | PART NO. | WP-18F2-13-11 | DWG NO. | QC8003 | VERSION |

NIAN YEONG ENTERPRISE
年永實業有限公司