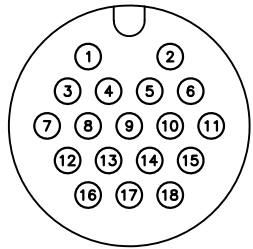


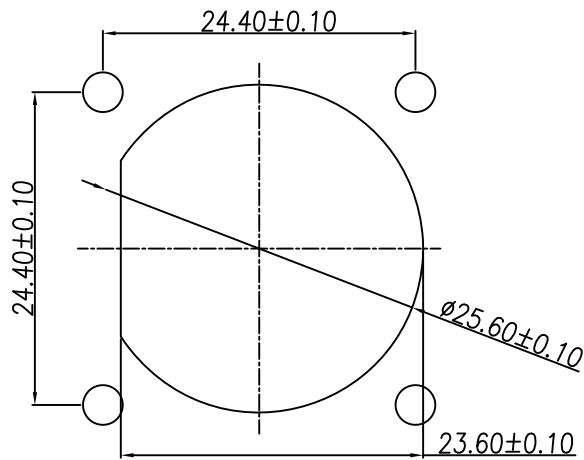
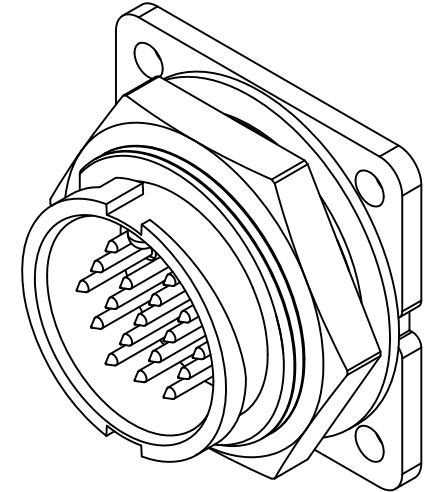
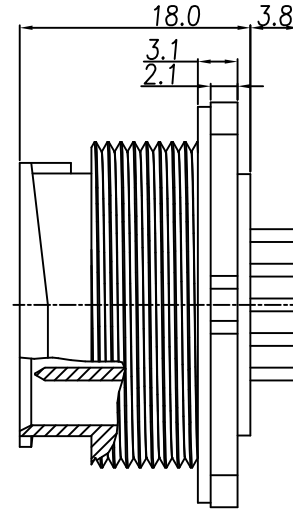
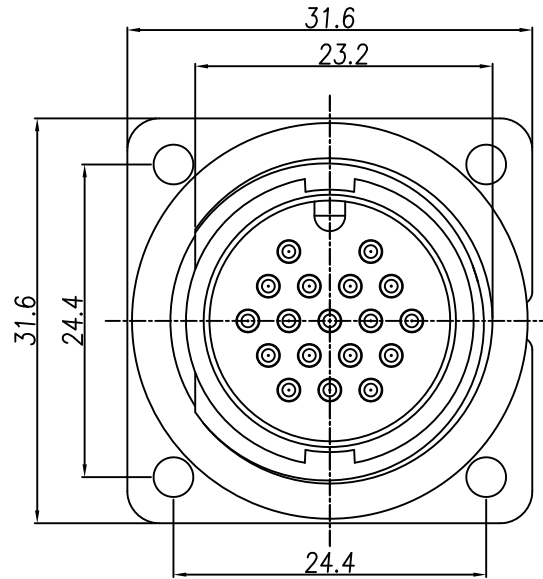
This document is the property of Nian-Yeong Corporation and is delivered on the express condition that it is not to be disclosed, reproduced or used, in whole or in part, for manufacture or sale by anyone other than Nian-Yeong Corporation without its prior consent, and that no right is granted to disclose or to use any information in this document.

CUSTOMER DRAWING

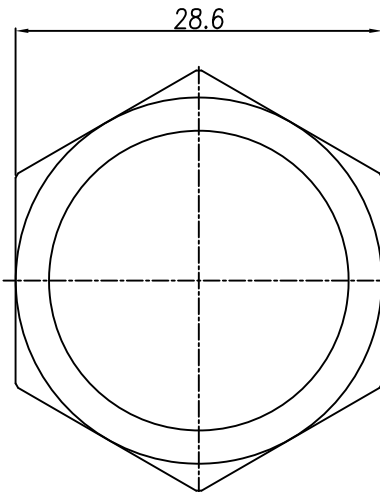
REV.	DESCRIPTION	APPROVED BY	DATE	ECN NO.
A	RELEASE	Yeh Chou	2017/09/07	
B	增加防護圈 & 修正墊圈材質與電壓規格	Ku Chou	02/05/18'	
C				



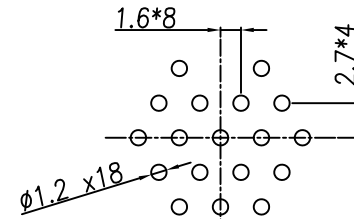
PIN CONFIGURATION



RECOMMEND PANEL HOLE



Hex Nut



PCB LAYOUT

- MATERIAL :
 - 1-1. HOUSING : PA66 UL94V-0 ; COLOR : BLACK
 - 1-2. CONTACT : BRASS
 - 1-3. GASKET : SILICONE
 - 1-4. HEX NUT : PA66 UL94V-0 ; COLOR : BLACK
- FINISH :
 - 2-1. CONTACT : GOLD FLASH PLATED
- ELECTRICAL SPECIFICATION :
 - 3-1. RATED CURRENT: 5A
 - 3-2. RATED VOLTAGE : 300V
 - 3-3. WATER PROOF: IP67
- ENVIRONMENTAL :
 - 4-1. OPERATION TEMPERATURE : -40℃~105℃

DRAWN	Yeh Chou	APP'D	KU Chou	UNIT	mm	TOLERANCE	NIAN YEONG ENTERPRISE 年永實業有限公司	TITLE	D SIZE 18P (M) 快鎖 DIP (方型面板)			SHEET
CHK'D	KU Chou			SCALE	1:1	.x ±0.20 .xx ±0.10 .xxx ±0.05 .xxxx ±0.03 ANGULA ±1°		PART NO.	WP-18M2-06-11	DWG NO.	QC7880	VERSION