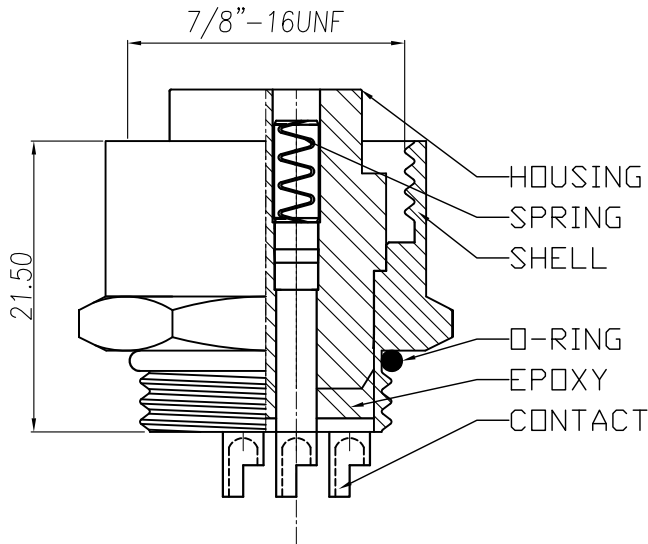
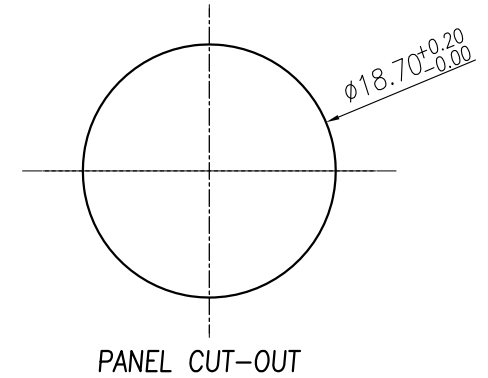
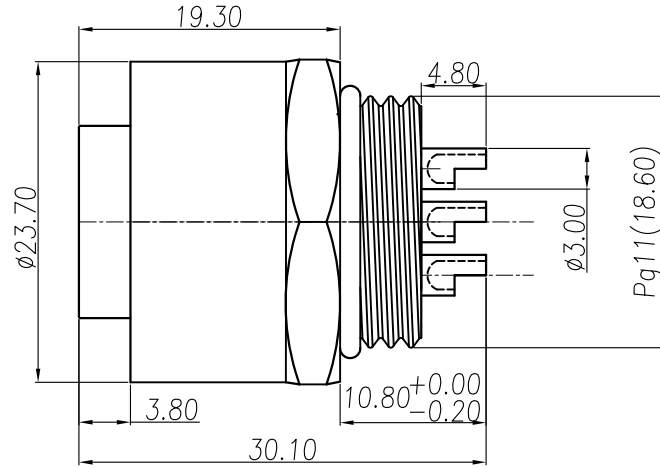
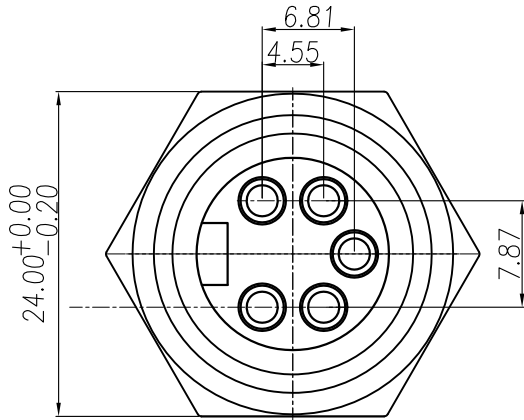


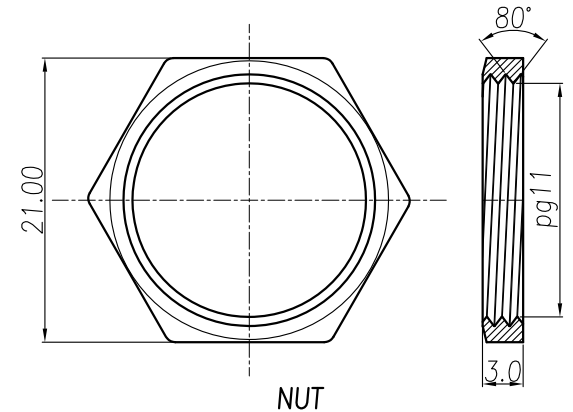
This document is the property of Nian-Yeong Corporation and is delivered on the express condition that it is not to be disclosed, reproduced or used, in whole or in part, for manufacture or sale by anyone other than Nian-Yeong Corporation without its prior consent, and that no right is granted to disclose or to use any information in this document.

CUSTOMER DRAWING

REV.	DESCRIPTION	APPVL. BY	DATE	ECN NO.
$\triangle C$	RELEASE	Fido Weng	08/09/10*	
$\triangle D$				
$\triangle E$				



- MATERIAL :
 - 1-1. HOUSING : PBT UL94V-0 ; COLOR : YELLOW
 - 1-2. CONTACT : BRASS
 - 1-3. SPRING : PHOSPHOR BRONZE
 - 1-4. NUT : BRASS
 - 1-5. SHELL : BRASS
 - 1-6. O-RING : NBR ; COLOR : BLACK
- FINISH :
 - 2-1. CONTACT : 30 MICRO INCHES MIN. GOLD PLATED UNDER PLATE : NICKEL
 - 2-2. SPRING : MATTER-TIN PLATED
 - 2-3. NUT : NICKEL PLATED
 - 2-4. SHELL : NICKEL PLATED
- ELECTRICAL SPECIFICATION :
 - 3-1. Rated current : 20A
 - 3-2. Rated voltage : 250V
 - 3-3. Water proof : IPX7
- Environmental :
 - 4-1. Operation Temperature : -20℃~85℃



DRAW	Mark Kao	APPVL	Ku Chou	UNIT	mm	TOLERANCE	NIAN YEONG ENTERPRISE 年永實業有限公司	TITLE	防水頭 5PIN(F) 杯口鎖板			SHEET	A4
CHECK	Emily Suen			SCALE	1:1	.x ±0.20 .xx ±0.10 .xxx ±0.05 .xxxx ±0.03 ANGULA ±1°		PART NO.	WP-05F2-22	DWG NO.	QC2817	VERSION	