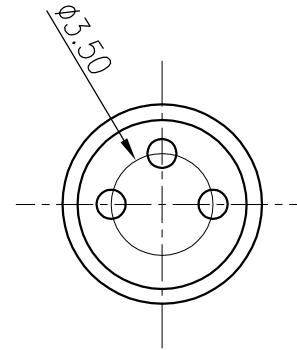
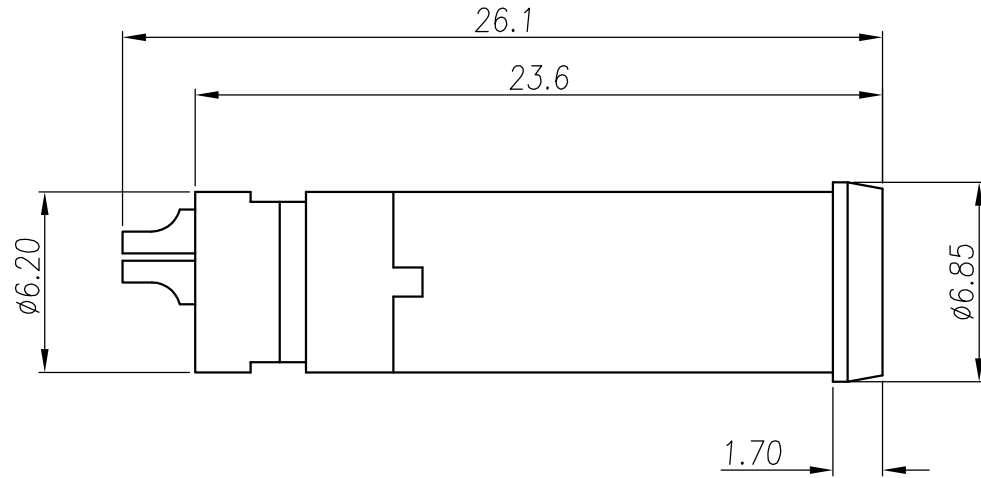


This document is the property of Nian-Yeong Corporation and is delivered on the express condition that it is not to be disclosed, reproduced or used, in whole or in part, for manufacture or sale by anyone other than Nian-Yeong Corporation without its prior consent, and that no right is granted to disclose or to use any information in this document.

CUSTOMER DRAWING

REV.	DESCRIPTION	APPVL. BY	DATE	ECN NO.
A	RELEASE	Fido Weng	22/12/08*	
B	Add P/N	Fido Weng	06/08/13*	
C				

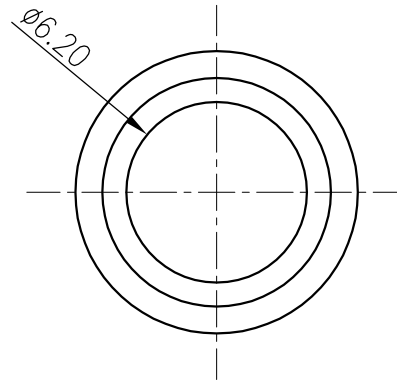
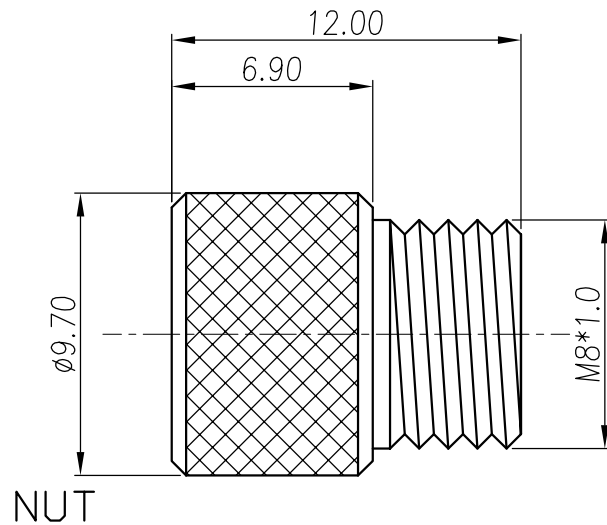


NOTE:

- MATERIAL :
 - 1-1. HOUSING : PBT UL94V-0 ; COLOR : BLACK
 - 1-2. CONTACT : BRASS
 - 1-3. SHELL : BRASS
 - 1-4. NUT : BRASS.
- FINISH :
 - 2-1. CONTACT : SEE TABLE A
 - 2-2. SHELL : NICKEL PLATED.
 - 2-2. NUT : NICKEL PLATED.
- ELECTRICAL SPECIFICATION :
 - 3-1. Rated current : 3A
 - 3-2. Rated voltage : 125V
 - 3-3. Water proof: IPX7
- Environmental :
 - 4-1. Operation Temperature : -40°C~85°C

TABLE A

WP-04M2-86-11	WP-03M2-32	WP-02M2-25-11
WP-04M2-140-11	WP-03M2-73-11	
WP-02M2-25-11	GOLD FLASH	
WP-03M2-32	GOLD FLASH	
WP-04M2-86-11	GOLD FLASH	
WP-03M2-73-11	GOLD 10u"	
WP-04M2-140-11	GOLD 10u"	
PART NO	FINISH	



DRAW	Ku Chou	APPVL	Emily Suen	UNIT	mm	TOLERANCE		TITLE	M8 (M) 加長型彈簧式			SHEET	
CHECK	Emily Suen			SCALE	1:1	.x ±0.20 .xx ±0.10 .xxx ±0.05 .xxxx ±0.03 ANGULA ±1°		PART NO.	SEE TABLE A	DWG NO.	QC5874	VERSION	

NIAN YEONG ENTERPRISE
年永實業有限公司