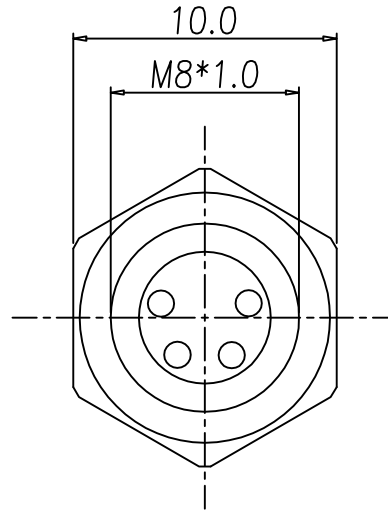
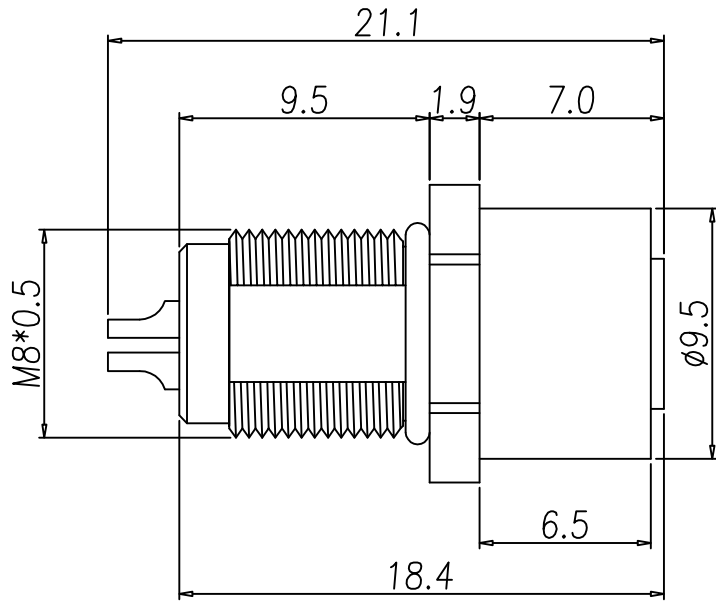


This document is the property of Nian-Yeong Corporation and is delivered on the express condition that it is not to be disclosed, reproduced or used, in whole or in part, for manufacture or sale by anyone other than Nian-Yeong Corporation without its prior consent, and that no right is granted to disclose or to use any information in this document.

CUSTOMER DRAWING

REV.	DESCRIPTION	APPVL. BY	DATE	ECN NO.
A	RELEASE	Fido Weng	10/01/13*	
B				
C				

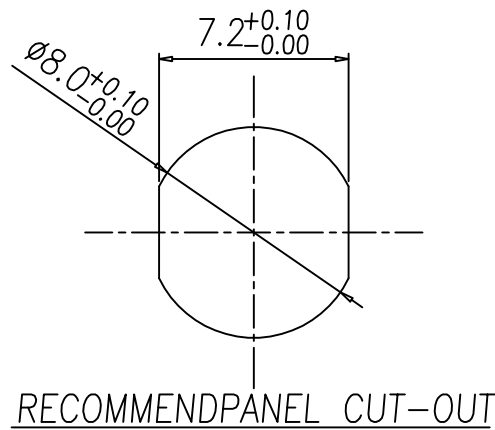
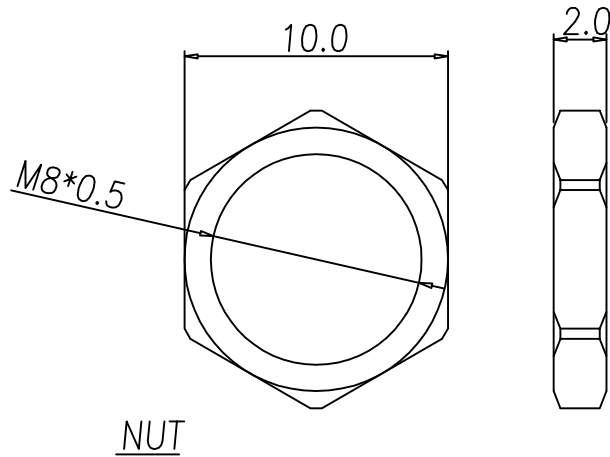


NOTE:

- MATERIAL :**
 - 1-1. HOUSING : PBT UL94V-0 ; COLOR : BLACK
 - 1-2. CONTACT : BRASS.
 - 1-3. SHELL : BRASS.
 - 1-4. NUT : BRASS.
 - 1-5. O-RING : EPDM ; COLOR : BLACK
- FINISH :**
 - 2-1. CONTACT : SEE TABLE A
 - 2-2. SHELL : NICKEL PLATED.
 - 2-3. NUT : NICKEL PLATED.
- ELECTRICAL SPECIFICATION :**
 - 3-1. Rated current : 4A
 - 3-2. Rated voltage : 60V
 - 3-3. Water proof : IP67
- Environmental :**
 - 4-1. Operation Temperature : -20℃~85℃

TABLE A

4PIN	3PIN	2PIN
WP-04F2-135-11 WP-04F2-102	WP-03F2-63-11 WP-03F2-35	WP-02F2-39-11 WP-02F2-22
WP-04F2-135-11	GOLD 10u"	
WP-04F2-102	GOLD FLASH	
WP-03F2-63-11	GOLD 10u"	
WP-03F2-35	GOLD FLASH	
WP-02F2-39-11	GOLD 10u"	
WP-02F2-22	GOLD FLASH	
P/N	FINISH	



DRAW	Mark Kao	APPVL	Ku Chou	UNIT	mm	TOLERANCE			NIAN YEONG ENTERPRISE 年永實業有限公司	TITLE	防水頭 M8 (F) 後鎖焊線式			SHEET	
CHECK	Emily Suen			SCALE	1:1	.x ±0.20 .xx ±0.10 .xxx ±0.05 .xxxx ±0.03 ANGULA ±1°				PART NO.	SEE TABLE A	DWG NO.	QC6054	VERSION	