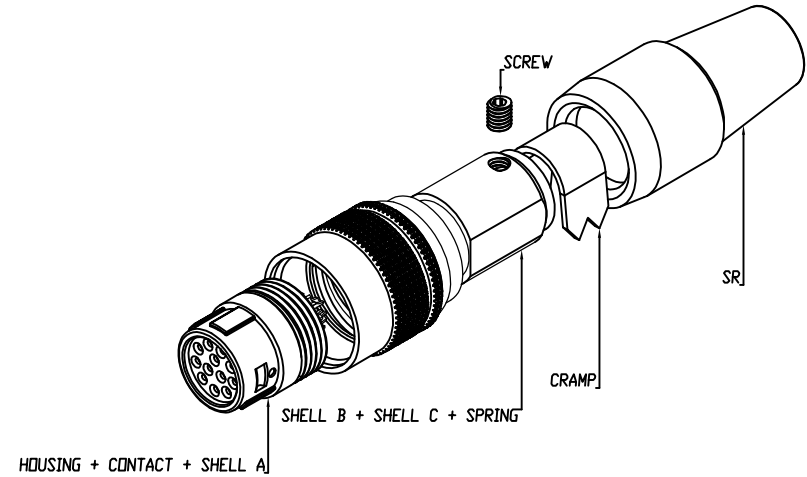
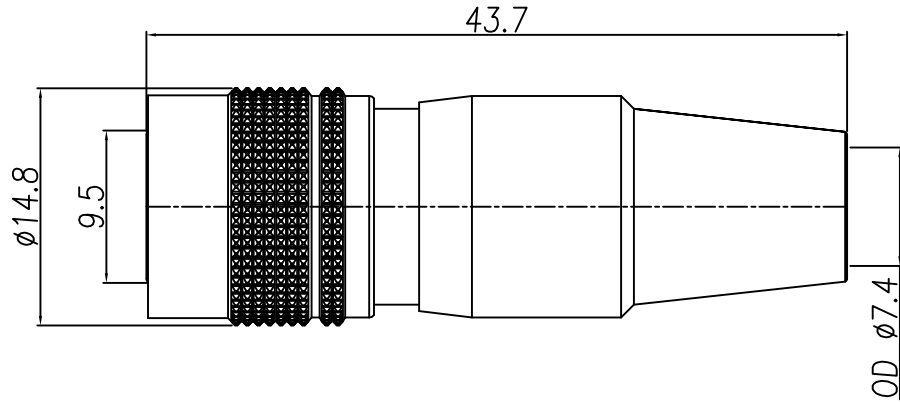


This document is the property of Nian-Yeong Corporation and is delivered on the express condition that it is not to be disclosed, reproduced or used, in whole or in part, for manufacture or sale by anyone other than Nian-Yeong Corporation without its prior consent, and that no right is granted to disclose or to use any information in this document.

CUSTOMER DRAWING

REV.	DESCRIPTION	APPROVED BY	DATE	ECN NO.
A	RELEASE	Emily Suen	22/08/11'	
B	CHANGE MATERIAL	Emily Suen	16/09/22'	
C				
D				



1. MATERIAL :

- 1-1. HOUSING : NYLON66 UL94V-0
COLOR : BLACK
- 1-2. CONTACT : BRASS
- 1-3. SHELL A : ZINC ALLOY
- 1-4. SHELL B : BRASS
- 1-5. SHELL C : BRASS
- 1-6. SPRING : STAINLESS STEEL
- 1-7. SCREW : ALLOY STEEL
- 1-8. CLAMP : BRASS
- 1-9. SR : TPR ; COLOR : BLACK

2. FINISH :

- 2-1. CONTACT : GOLD FLASH
- 2-2. SHELL A : NICKEL
- 2-3. SHELL B : SATIN NICKEL
- 2-4. SHELL C : NICKEL
- 2-5. SPRING : NICKEL
- 2-6. SCREW : NICKEL

3. ELECTRICAL SPECIFICATION :

- 3-1. Rated current : 2A
- 3-2. Rated voltage : 100V AC / 140V DC

4. Environmental :

- 4-1. Operation Temperature : -25°C~85°C

TABLE A

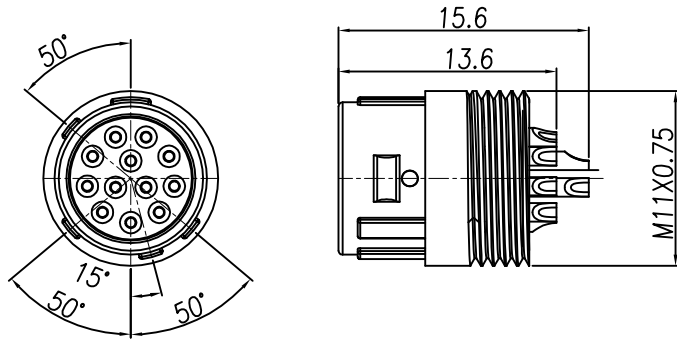
CONTACT ARRANGEMENT & DIMENSIONS(FRONT VIEW)	
DI-12F2-01	DI-10F2-02

DRAWN	Mark Kao	APPVL	Ku Chou	UNIT	mm	TOLERANCE		TITLE	DIN (F) 端子線式			SHEET
CHK'D	Emily Suen			SCALE	1:1	.x ±0.20 .xx ±0.10 .xxx ±0.05 .xxxx ±0.03 ANGULA ±1°		PART NO.	SEE TABLE A	DWG NO.	QC5517	1 2
NIAN YEONG ENTERPRISE 年永實業有限公司											VERSION B	

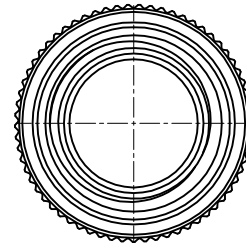
This document is the property of Nian-Yeong Corporation and is delivered on the express condition that it is not to be disclosed, reproduced or used, in whole or in part, for manufacture or sale by anyone other than Nian-Yeong Corporation without its prior consent, and that no right is granted to disclose or to use any information in this document.

CUSTOMER DRAWING

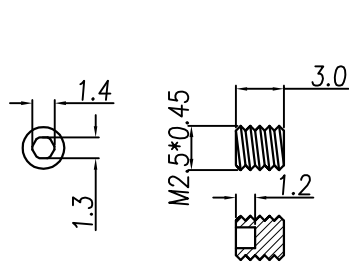
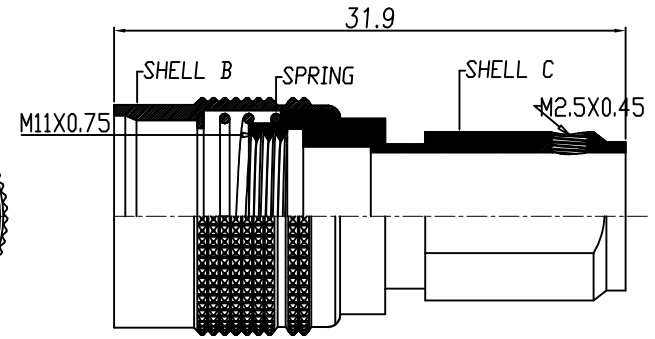
REV.	DESCRIPTION	APPROVED BY	DATE	ECN NO.
A	RELEASE	Emily Suen	01/08/11'	
B				
C				
D				



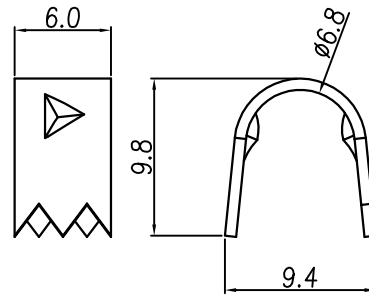
HOUSING + CONTACT + SHELL A



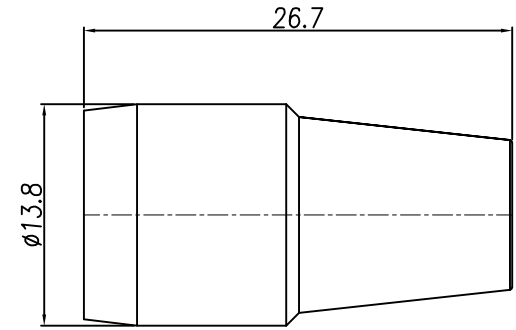
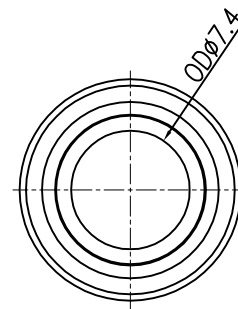
SHELL B + SHELL C + SPRING



SCREW



CRAMP



SR

DRAWN	Mark Kao	APPVL	Ku Chou	UNIT	mm	TOLERANCE		TITLE	DIN (F) 连接器式			SHEET
CHK'D	Emily Suen			SCALE	1:1	.x ±0.20 .xx ±0.10 .xxx ±0.05 .xxxx ±0.03 ANGULA ±1°		PART NO.	SEE TABLE A	DWG NO.	QC5517	 VERSION A

NIAN YEONG ENTERPRISE
年永實業有限公司