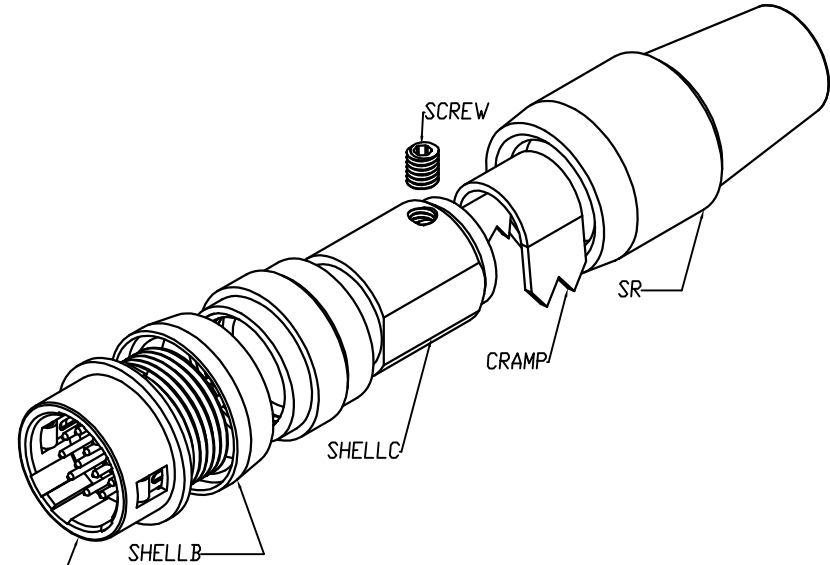
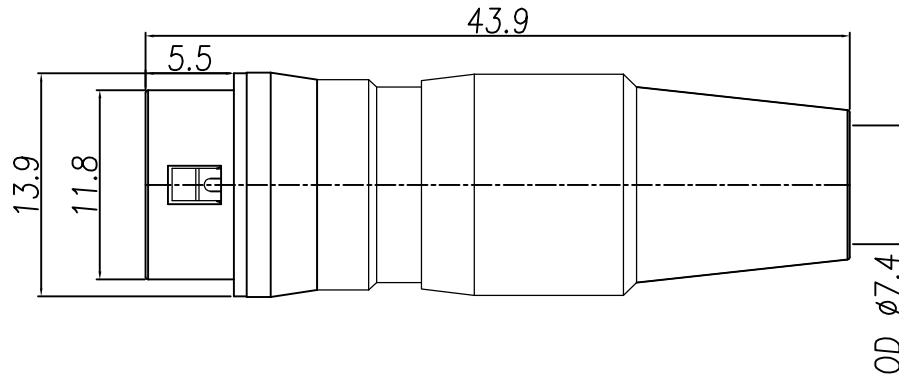


This document is the property of Nian-Yeong Corporation and is delivered on the express condition that it is not to be disclosed, reproduced or used, in whole or in part, for manufacture or sale by anyone other than Nian-Yeong Corporation without its prior consent, and that no right is granted to disclose or to use any information in this document.

CUSTOMER DRAWING

REV.	DESCRIPTION	APPROVED BY	DATE	ECN NO.
A	RELEASE	Emily Suen	08/11/11*	
B	CHANGE MATERIAL	Emily Suen	16/09/22*	
C				
D				



1. MATERIAL :

- △ 1-1. HOUSING : NYLON66 UL94V-0  
COLOR : BLACK
- 1-2. CONTACT : BRASS
- 1-3. SHELL A : ZINC ALLOY
- 1-4. SHELL B : BRASS
- 1-5. SHELL C : BRASS
- 1-6. SCREW : ALLOY STEEL
- 1-7. CLAMP : BRASS
- 1-8. SR : TPR ; COLOR : BLACK

2. FINISH :

- 2-1. CONTACT : GOLD FLASH
- 2-2. SHELL A : NICKEL
- 2-3. SHELL B : NICKEL
- 2-4. SHELL C : NICKEL
- 2-5. SCREW : NICKEL

3. ELECTRICAL SPECIFICATION :

- 3-1. Rated current : 2A
- 3-2. Rated voltage : 100V AC / 140V DC

4. Environmental :

- 4-1. Operation Temperature : -25℃~85℃

TABLE A

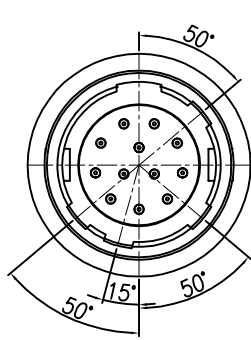
CONTACT ARRANGEMENT & DIMENSIONS(FRONT VIEW)	
DI-12M2-04	DI-10M2-04

DRAWN	Mark Kao	APPVL	Ku Chou	UNIT	mm	TOLERANCE .x ±0.20 .xx ±0.10 .xxx ±0.05 .xxxx ±0.03 ANGULA ±1°			<b>NIAN YEONG ENTERPRISE</b> 年永實業有限公司	TITLE	DIN (M) 插頭式 (SHELL TYPE: RECEPTACLE)			SHEET	1/2
	CHK'D			Emily Suen	SCALE					1:1	PART NO.	SEE TABLE A	DWG NO.	QC5611	VERSION

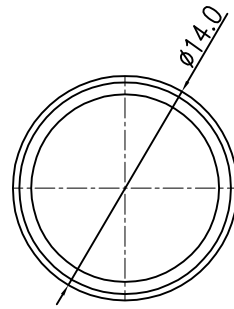
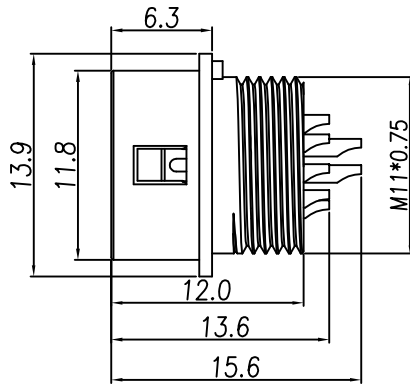
This document is the property of Nian-Yeong Corporation and is delivered on the express condition that it is not to be disclosed, reproduced or used, in whole or in part, for manufacture or sale by anyone other than Nian-Yeong Corporation without its prior consent, and that no right is granted to disclose or to use any information in this document.

# CUSTOMER DRAWING

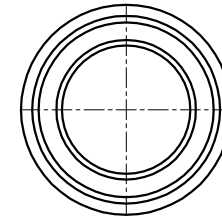
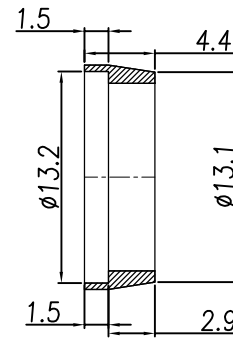
REV.	DESCRIPTION	APPROVED BY	DATE	ECN NO.
A	RELEASE	Emily Suen	08/11/11*	
B				
C				
D				



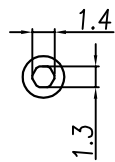
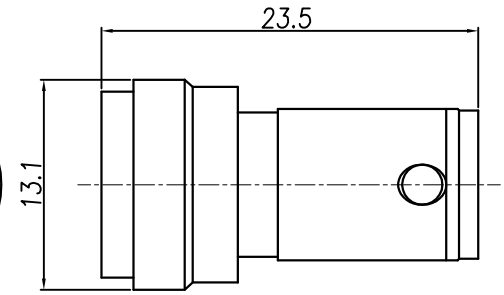
HOUSING + CONTACT + SHELL A



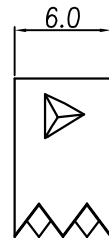
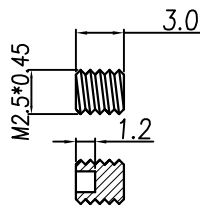
SHELL B



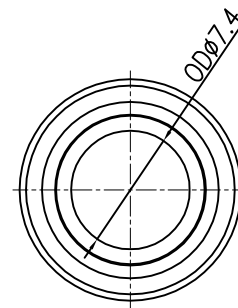
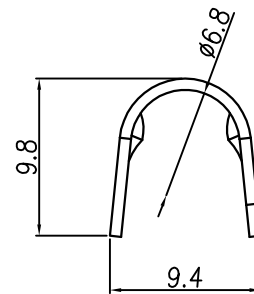
SHELL C



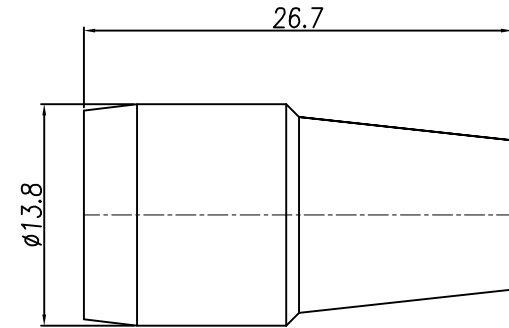
SCREW



CRAMP



SR



DRAWN	Mark Kao	APPVL	Ku Chou	UNIT	mm	TOLERANCE	TITLE		SHEET
CHK'D	Emily Suen			SCALE	1:1	.x ±0.20 .xx ±0.10 .xxx ±0.05 .xxxx ±0.03 ANGULA ±1°	DIN (M) 连接器 (SHELL TYPE: RECEPTACLE)		2/2
							PART NO.		VERSION
							SEE TABLE A	DWG NO.	A

