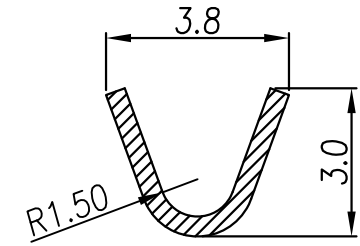
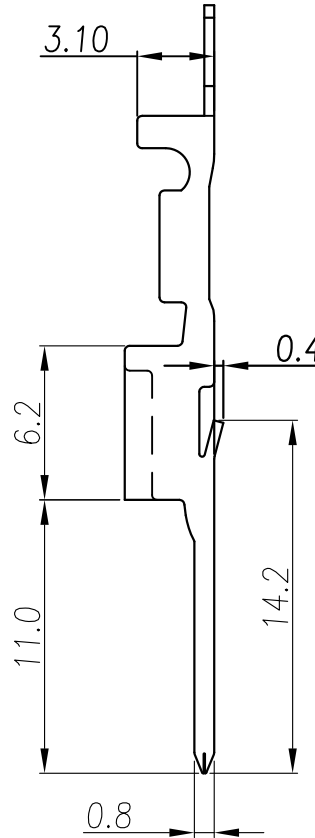
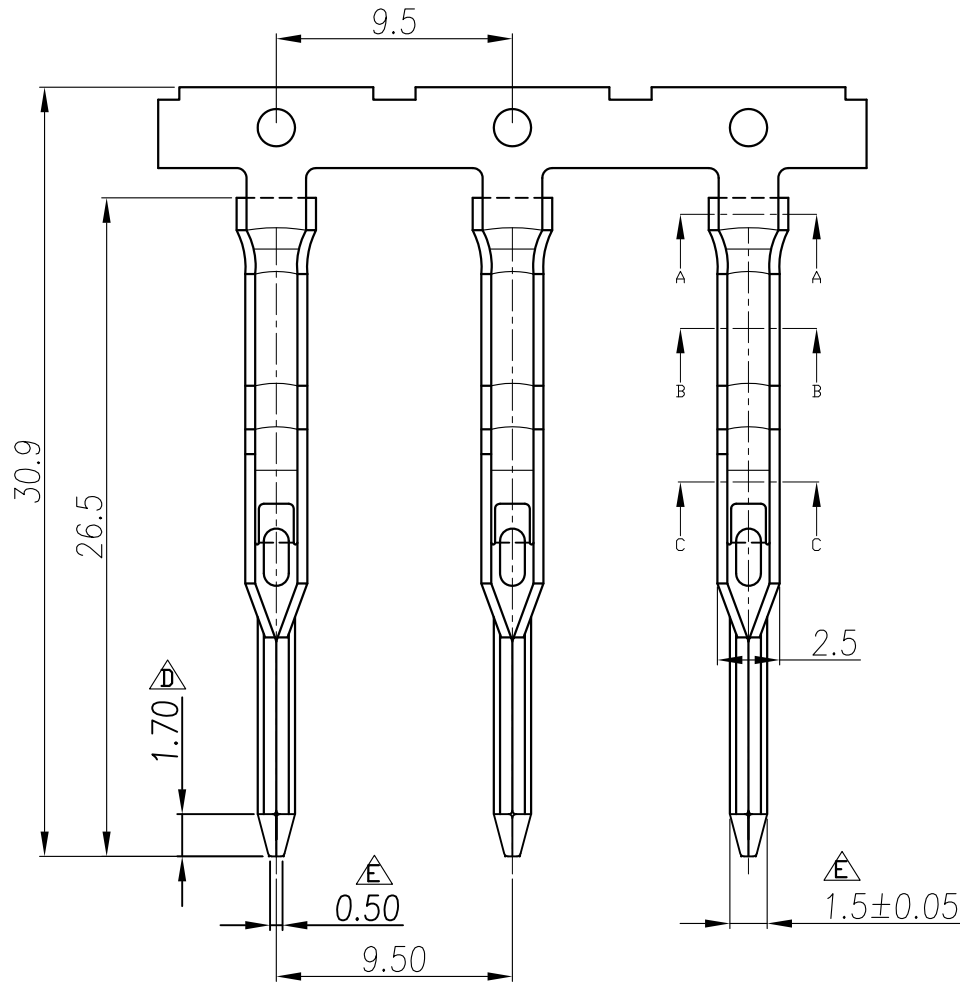


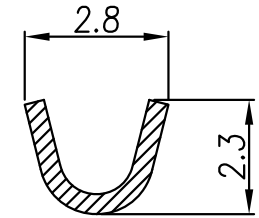
This document is the property of Nian-Yeong Corporation and is delivered on the express condition that it is not to be disclosed, reproduced or used, in whole or in part, for manufacture or sale by anyone other than Nian-Yeong Corporation without its prior consent, and that no right is granted to disclose or to use any information in this document.

CUSTOMER DRAWING

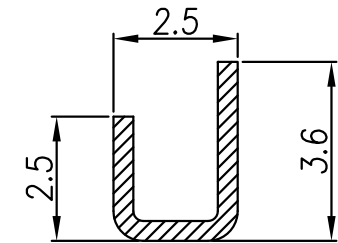
REV.	DESCRIPTION	APPL. BY	DATE	ECN NO.
B	RELEASE	Fido Wang	25/12/08*	ECN08019
C	ADD TEST POINT	Fido Wang	04/05/09*	
D	變更外型	Yeh Chou	20170316	
E	變更尺寸	Yeh Chou	20170619	



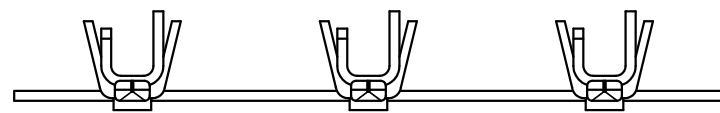
SECTION A-A



SECTION B-B



SECTION C-C



1.MATERIAL:
 1-1.TERMINAL:BRASS(C2680) T=0.40±0.015mm.
 2-1.PLATING:
 UNDERPLATED NICKEL OVER ALL 50u" MIN.

TABLE A

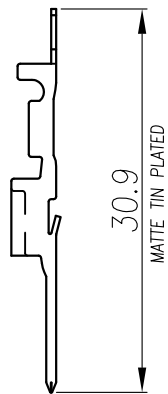
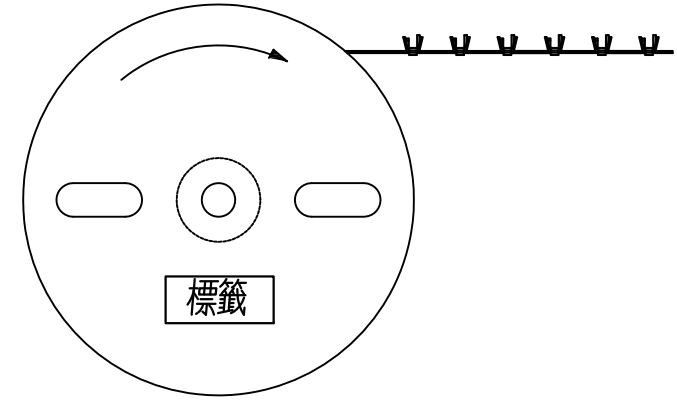
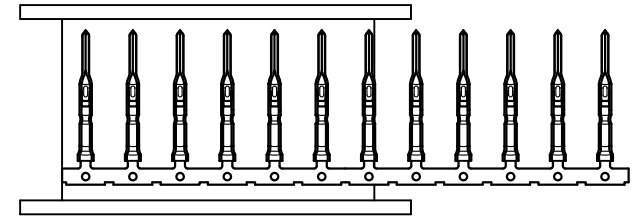
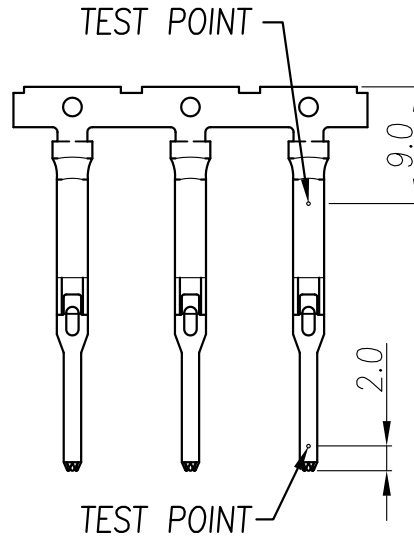
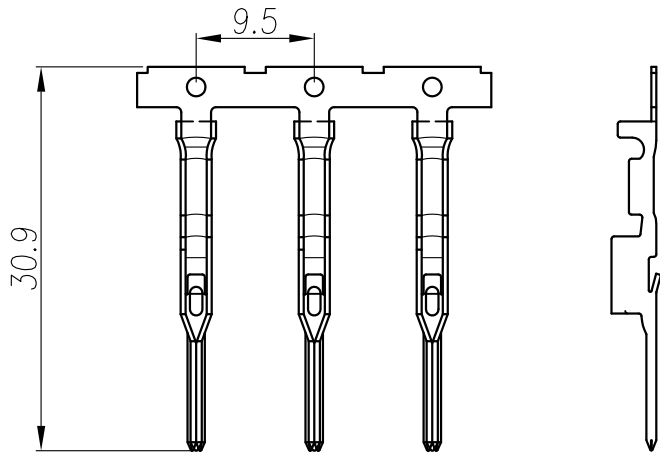
OY-TE0144	MATTE TIN 150u" MIN.	MATTE TIN 150u"
OY-TE0145	GOLD 30u" MIN.	BRIGHT TIN 80u"
OY-TE0071	GOLD FLASH 1u" MIN.	BRIGHT TIN 80u"
OY-TE1071	SOURCE MATERIAL/##	
P/N	CONTACT AREA	SOLDER AREA

DRAW	Jen Xie	APPVL	Fido Weng	UNIT	mm	TOLERANCE	.x ±0.10 .xx ±0.05 .xxx ±0.03 .xxxx ±0.01 ANGULA ±1°	TITLE	OBD2 16 PIN CONTACT			SHEET	1/2
CHECK	Emily Suen			SCALE	1:1			PART NO.	SEE TABLE A	DWG NO.	QC1223	VERSION	D
 NIAN YEONG ENTERPRISE 年永實業有限公司													

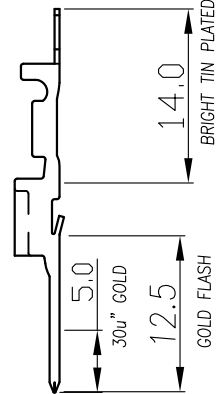
This document is the property of Nian-Yeong Corporation and is delivered on the express condition that it is not to be disclosed, reproduced or used, in whole or in part, for manufacture or sale by anyone other than Nian-Yeong Corporation without its prior consent, and that no right is granted to disclose or to use any information in this document.

CUSTOMER DRAWING

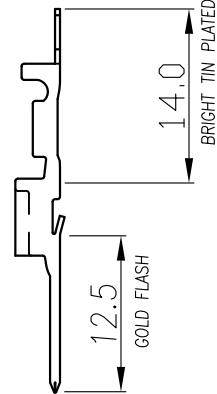
REV.	DESCRIPTION	APPL. BY	DATE	ECN NO.
A	ADD P/N TABLE	Fido Wang		
B	RELEASE	Fido Wang	25/12/08"	ECN08019
C	ADD TEST POINT	Fido Wang	04/05/09"	



OY-TE0144
PLATED THICKNESS
SEE TABLE A



OY-TE0145
PLATED THICKNESS
SEE TABLE A



OY-TE0071
PLATED THICKNESS
SEE TABLE A

PULL OUT DIRECTION

TABLE A

OY-TE0144	MATTE TIN 150u" MIN.	MATTE TIN 150u"
OY-TE0145	GOLD 30u" MIN.	BRIGHT TIN 80u"
OY-TE0071	GOLD FLASH 1u" MIN.	BRIGHT TIN 80u"
OY-TE1071	SOURCE MATERIAL/材料	
P/N	CONTACT AREA	SOLDER AREA

1.MATERIAL:

1-1.TERMINAL:BRASS(C2680) T=0.40±0.015mm.

2-1.PLATING:

UNDERPLATED NICKEL OVER ALL 50u" MIN.

DRAW	Jen Xie	APPVL	Fido Weng	UNIT	mm	TOLERANCE	.x ±0.10 .xx ±0.05 .xxx ±0.03 .xxxx ±0.01 ANGULA ±1°	TITLE	OBD2 16 PIN CONTACT			SHEET	2/2
CHECK	Emily Suen			SCALE	1:1			PART NO.	SEE TABLE A	DWG NO.	QC1223	VERSION	C

