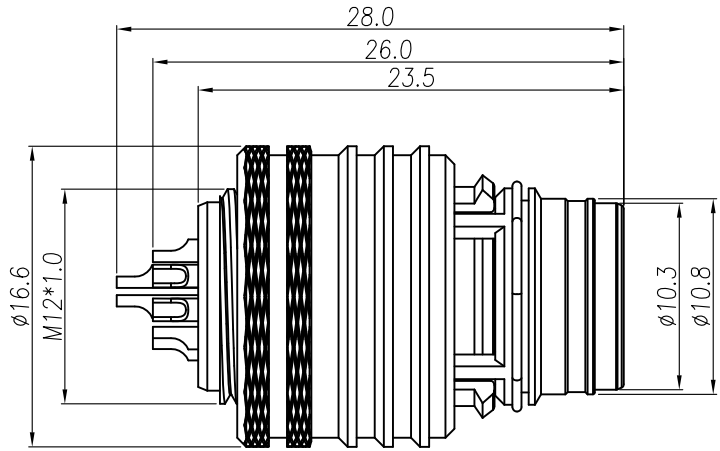


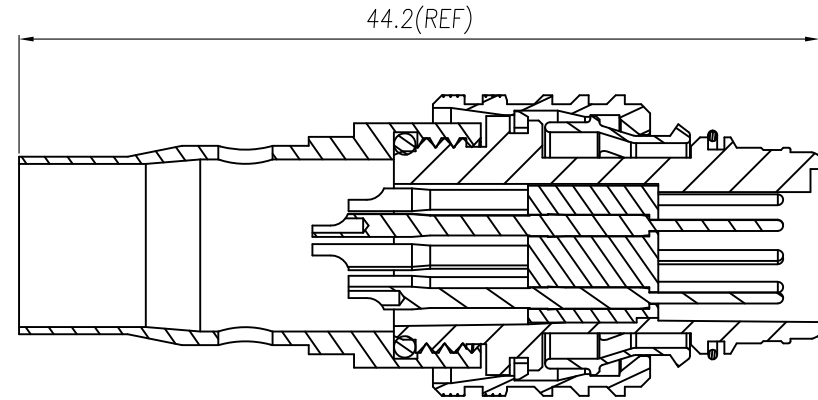
This document is the property of Nian-Yeong Corporation and is delivered on the express condition that it is not to be disclosed, reproduced or used, in whole or in part, for manufacture or sale by anyone other than Nian-Yeong Corporation without its prior consent, and that no right is granted to disclose or to use any information in this document.

CUSTOMER DRAWING

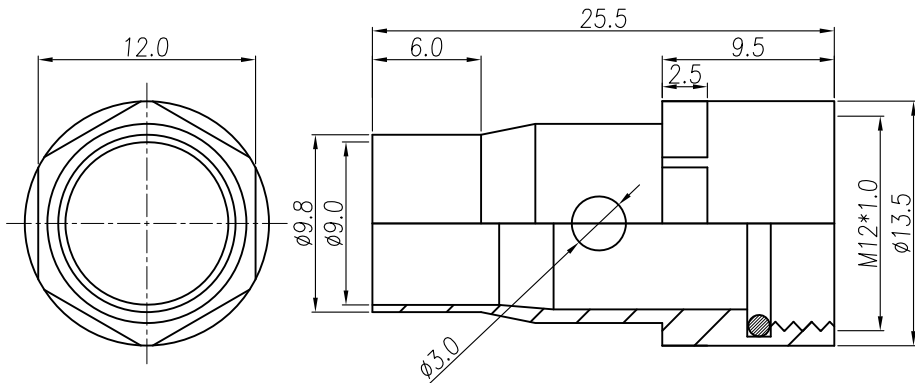
REV.	DESCRIPTION	APPROVED BY	DATE	ECN NO.
A	RELEASE	LEO	22/04/25'	
B				
C				
D				



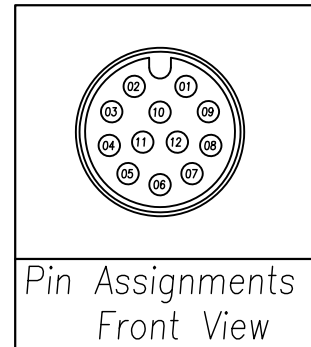
HOUSING & SHELL & CONTACT  
LOCK RING & SPRING 1~2& LOCK



ASS'Y



BACK SHIELD & O-RING



Pin Assignments  
Front View

- MATERIAL :
  - 1-1. HOUSING : PA UL94V-0 ; COLOR : BLACK
  - 1-2. CONTACT : BRASS.
  - 1-3. SHELL : ZINC ALLOY
  - 1-4. BACK SHIELD : BRASS.
  - 1-5. LOCK RING : BRASS.
  - 1-6. SPRING 1: STAINLESS STEEL.
  - 1-7. SPRING 2: STAINLESS STEEL.
  - 1-8. LOCK : PC : BLACK
  - 1-9. O-RING : SILICONE
- FINISH :
  - 2-1. CONTACT : GOLD FLASH
  - 2-2. LOCK RING : NICKEL PLATED OVER ALL
  - 2-3. SHELL : NICKEL PLATED OVER ALL
  - 2-4. BACK SHIELD : NICKEL PLATED OVER ALL
- ELECTRICAL SPECIFICATION :
  - 3-1. Rated current(40°C) : 1.5A
  - 3-2. Rated voltage : 30V
  - 3-3. Water proof : IP67
- Environmental :
  - 4-1. Operation Temperature : -25°C ~ 85°C

DRAWN	LEO	APPEND	Emily Suen	UNIT	mm	TOLERANCE			TITLE	M12 Inner Push Pull 12P A-CODING (M)			SHEET	
CHK'D	Emily Suen			SCALE	1:1	.x ±0.20 .xx ±0.10 .xxx ±0.05 .xxxx ±0.03 ANGULA ±1°			PART NO.	WP-12M2-38-11	DWG NO.	QC11351	VERSION	

NIAN YEONG ENTERPRISE  
年永實業有限公司