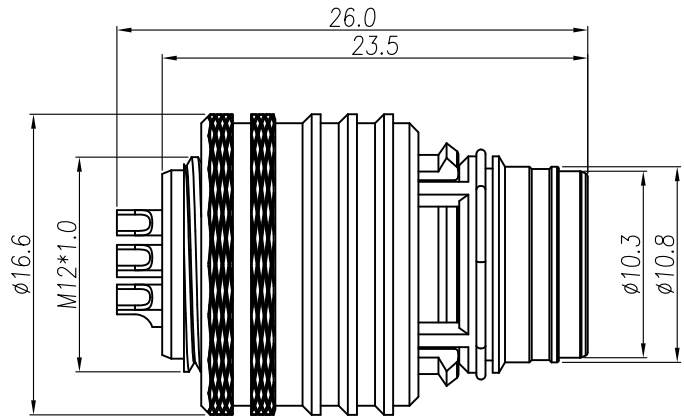


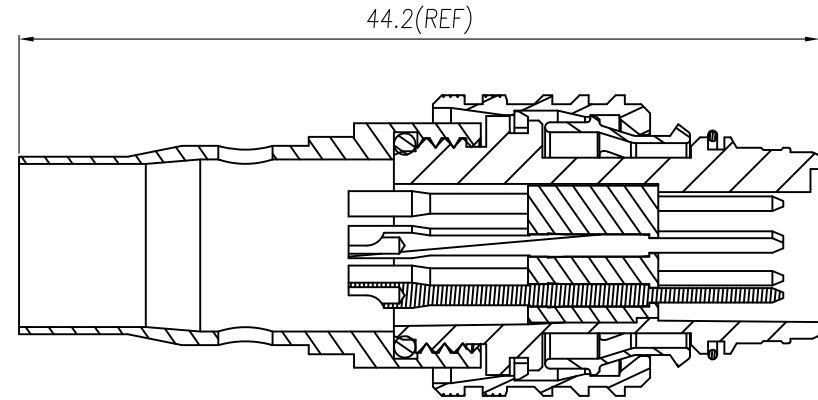
This document is the property of Nian-Yeong Corporation and is delivered on the express condition that it is not to be disclosed, reproduced or used, in whole or in part, for manufacture or sale by anyone other than Nian-Yeong Corporation without its prior consent, and that no right is granted to disclose or to use any information in this document.

CUSTOMER DRAWING

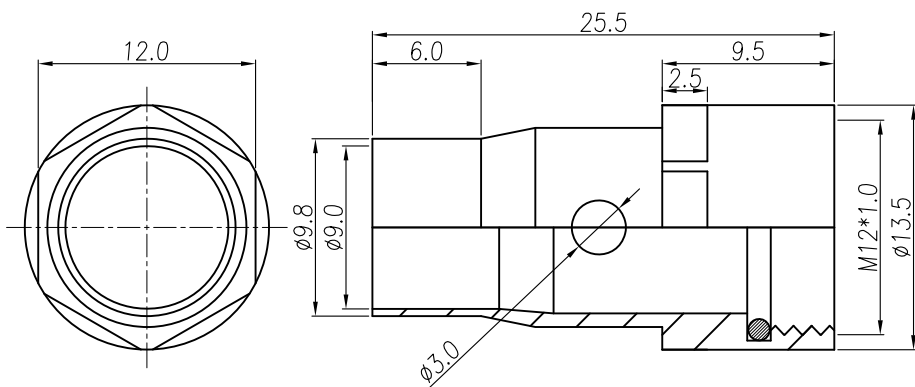
REV.	DESCRIPTION	APPROVED BY	DATE	ECN NO.
A	RELEASE	LEO	21/04/25'	
B				
C				
D				



HOUSING & SHELL & CONTACT
LOCK RING & SPRING 1~2& LOCK



ASS'Y



BACK SHIELD & O-RING

TABLE A

WP-06M2-98-11	WP-07M2-35-11
WP-08M2-167-11	

- MATERIAL :
 - HOUSING : PA UL94V-0 ; COLOR : BLACK
 - CONTACT : BRASS.
 - SHELL : ZINC ALLOY
 - BACK SHIELD : BRASS.
 - LOCK RING : BRASS.
 - SPRING 1: STAINLESS STEEL.
 - SPRING 2: STAINLESS STEEL.
 - LOCK : PC : BLACK
 - O-RING : SILICONE
- FINISH :
 - CONTACT : GOLD FLASH
 - LOCK RING : NICKEL PLATED OVER ALL
 - SHELL : NICKEL PLATED OVER ALL
 - BACK SHIELD : NICKEL PLATED OVER ALL
- ELECTRICAL SPECIFICATION :
 - Rated current(40°C) : 2A
 - Rated voltage : 30V
 - Water proof : IP67
- Environmental :
 - Operation Temperature : -25°C ~ 85°C

DRAWN	LEO	APPEND	Emily Suen	UNIT	mm	TOLERANCE			TITLE	M12 Inner Push Pull A-CODING (M)			SHEET
CHK'D	Emily Suen			SCALE	1:1	.x ±0.20 .xx ±0.10 .xxx ±0.05 .xxxx ±0.03 ANGULA ±1°			PART NO.	SEE TABLE A	DWG NO.	QC11348	VERSION

NIAN YEONG ENTERPRISE
年永實業有限公司