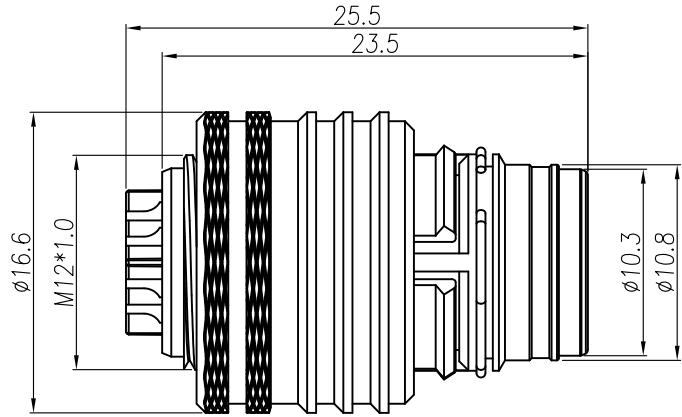


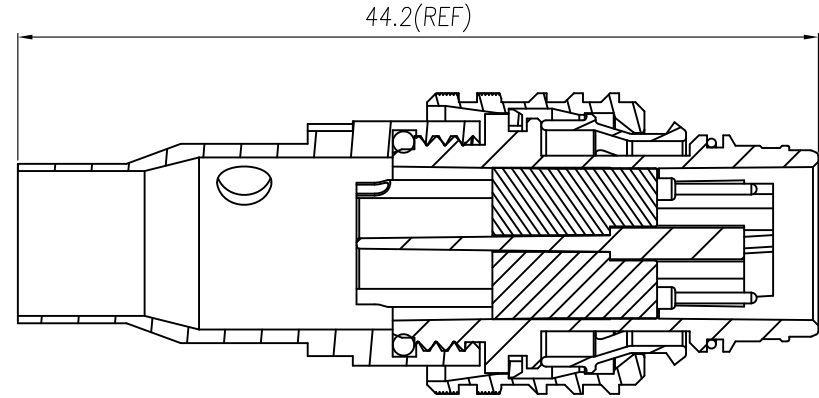
This document is the property of Nian-Yeong Corporation and is delivered on the express condition that it is not to be disclosed, reproduced or used, in whole or in part, for manufacture or sale by anyone other than Nian-Yeong Corporation without its prior consent, and that no right is granted to disclose or to use any information in this document.

CUSTOMER DRAWING

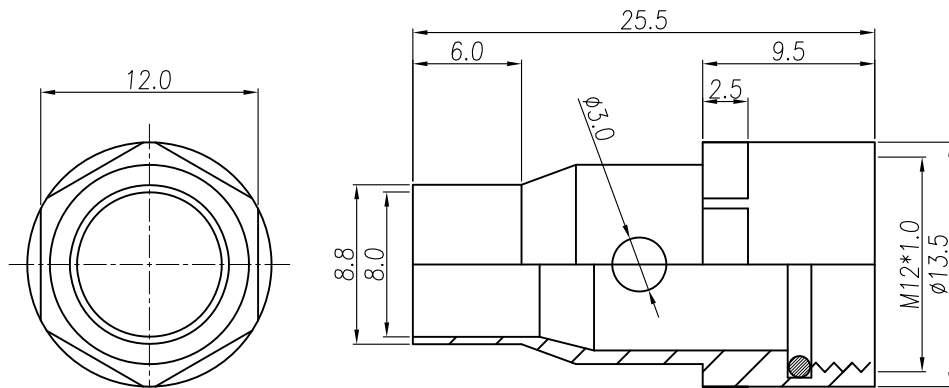
| REV. | DESCRIPTION | APPROVED BY | DATE | ECN NO. |
|------|-------------|-------------|----------|---------|
| A | RELEASE | LED | 05/01/24 | |
| B | | | | |
| C | | | | |
| D | | | | |



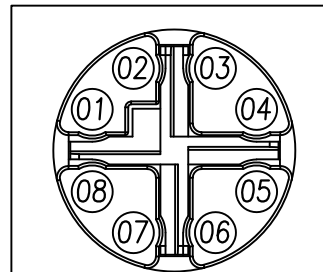
HOUSING & SHELL & CONTACT
LOCK RING & SPRING 1~2& LOCK



ASS'Y



BACK SHIELD & O-RING



Pin Assignments
Front View

- MATERIAL :
 - 1-1. HOUSING : PBT UL94V-0 ; COLOR : BLACK
 - 1-2. CONTACT : BRASS.
 - 1-3. SHELL : ZINC ALLOY
 - 1-4. BACK SHIELD : BRASS.
 - 1-5. LOCK RING : BRASS.
 - 1-6. SPRING 1: STAINLESS STEEL.
 - 1-7. SPRING 2: STAINLESS STEEL.
 - 1-8. LOCK : PC ; COLOR : BLACK
 - 1-9. O-RING : SILICONE
- FINISH :
 - 2-1. CONTACT : 10 MICRO INCHES MIN. GOLD PLATED
UNDER PLATE : NICKEL
 - 2-2. LOCK RING : NICKEL PLATED OVER ALL
 - 2-3. SHELL : NICKEL PLATED OVER ALL
 - 2-4. BACK SHIELD : NICKEL PLATED OVER ALL
- ELECTRICAL SPECIFICATION :
 - 3-1. Rated current(40°C) : 0.5A
 - 3-2. Rated voltage : 50 V AC/60 V DC
 - 3-3. Water proof : IP67
- Environmental :
 - 4-1. Operation Temperature : -25°C ~ 85°C

| DRAWN | LEO | APPEND | Emily Suen | UNIT | mm | TOLERANCE | .x ±0.20 .xx ±0.10 .xxx ±0.05 .xxxx ±0.03 ANGULA ±1° | TITLE | M12 Inner Push Pull 8P X-CODING (M) | | | SHEET | 1/1 |
|---|------------|--------|------------|-------|-----|-----------|--|----------|-------------------------------------|---------|---------|---------|-----|
| CHK'D | Emily Suen | | | SCALE | 1:1 | | | PART NO. | WP-08M2-165-11 | DWG NO. | QC11344 | VERSION | A |
|  NIAN YEONG ENTERPRISE 年永實業有限公司 | | | | | | | | | | | | | |