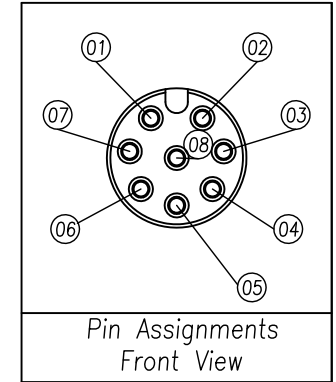
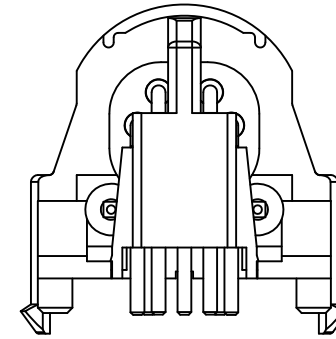
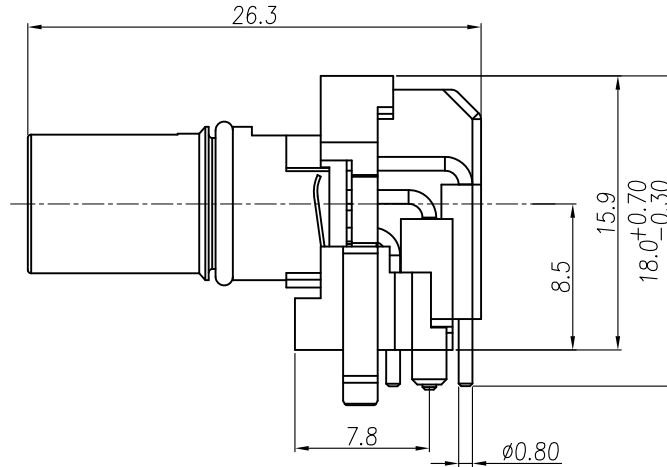
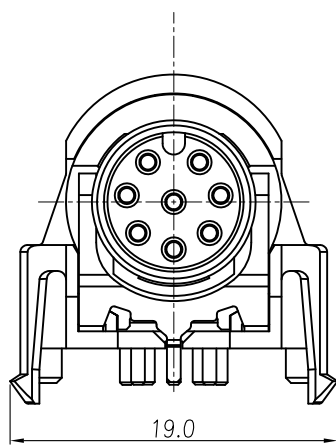


This document is the property of Nian-Yeong Corporation and is delivered on the express condition that it is not to be disclosed, reproduced or used, in whole or in part, for manufacture or sale by anyone other than Nian-Yeong Corporation without its prior consent, and that no right is granted to disclose or to use any information in this document.

CUSTOMER DRAWING

REV.	DESCRIPTION	APPROVED BY	DATE	ECN NO.
A	RELEASE	LED	28/08/24*	
B				
C				



1. MATERIAL :

- 1-1. HOUSING : PA9T
- 1-2. CONTACT : BRASS
- 1-3. O-RING : VITON
- 1-4. BACK HOUSING : PA9T
- 1-5. DOWN HOUSING : PA9T
- 1-6. GROUND : PHOSPHOR BRONZE

2. FINISH :

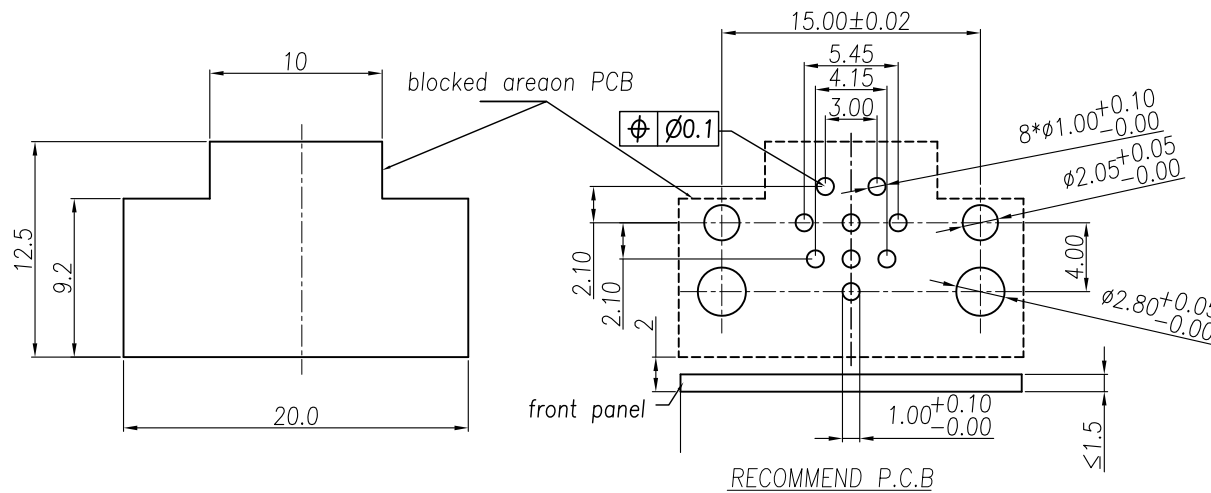
- 2-1. CONTACT : GOLD FLASH PLATED.
- 2-2. GROUND : NICKEL PLATED.

3. ELECTRICAL SPECIFICATION :

- 3-1. Rated current : 2A
- 3-2. Rated Voltage : 30V
- 3-3. Water proof : IP67 (in mated condition)

4. Environmental :

- 4-1. Operation Temperature : -25°C~85°C



DRAWN	LED	APP'D	Ku Chou	UNIT	mm	TOLERANCE	TITLE			SHEET
CHK'D	Ku Chou			SCALE	1:1	.x ±0.20 .xx ±0.10 .xxx ±0.05 .xxxx ±0.03 ANGULAR ±1°	WP M12 A-CODING 8P (F) Two-piece 90#			1
							PART NO. WP-08F2-151-11			VERSION
							DWG NO. QC11092			A

