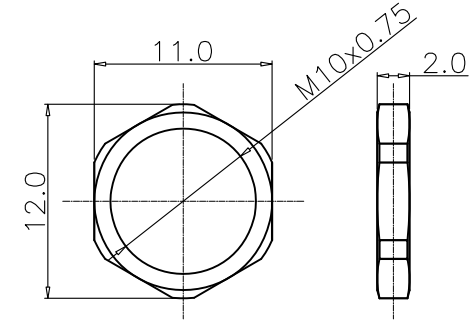
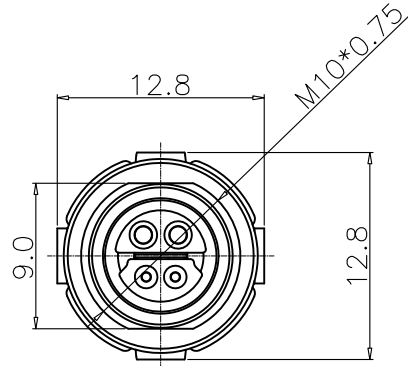
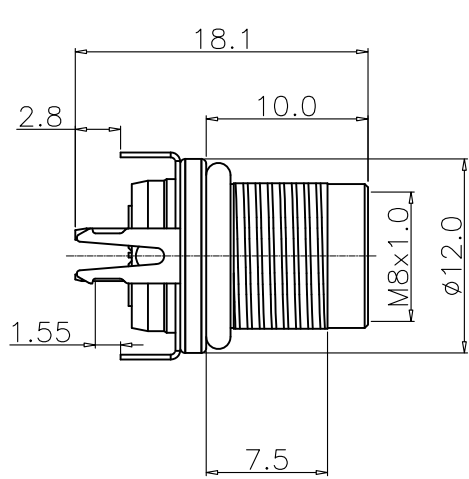


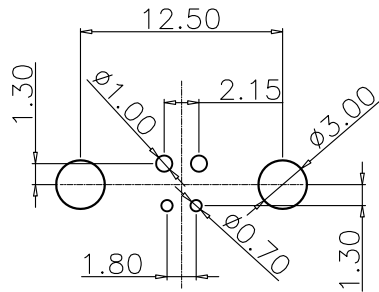
This document is the property of Nian-Yeong Corporation and is delivered on the express condition that it is not to be disclosed, reproduced or used, in whole or in part, for manufacture or sale by anyone other than Nian-Yeong Corporation without its prior consent, and that no right is granted to disclose or to use any information in this document.

CUSTOMER DRAWING

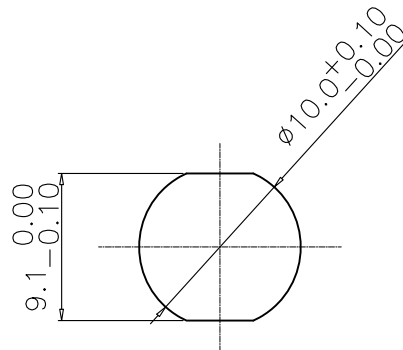
REV.	DESCRIPTION	APPROVED BY	DATE	ECN NO.
A	RELEASE	Ku Chou	14/05/24'	
B				
C				



NUT



RECOMMEND
P.C.B LAYOUT



RECOMMEND
PANEL CUT-OUT

- MATERIAL :
 - HOUSING : LCP UL94V-0 ; COLOR : BLACK
 - CONTACT : BRASS
 - SHELL : BRASS
 - SHIELD : PHOSPHOR BRONZE
 - GROUND : PHOSPHOR BRONZE
 - NUT : BRASS
 - O-RING A : SILICONE
 - O-RING B : SILICONE
- FINISH :
 - CONTACT : 30u" MIN. GOLD PLATED
 - SHELL : NICKEL PLATING
 - SHIELD : NICKEL PLATING
 - GROUND : NICKEL PLATING
 - NUT : NICKEL PLATING
- ELECTRICAL SPECIFICATION :
 - RATED CURRENT: DATA 4A ; POWER 8A
 - RATED VOLTAGE : 60V
 - WATER PROOF: IP67
- ENVIRONMENTAL :
 - OPERATION TEMPERATURE : -40°C~85°C
- CONNECTOR ACCORDING TO : IEC63171-6

DRAWN	Emily Suen	APP'D	Ku Chou	UNIT	mm	TOLERANCE	NIAN YEONG ENTERPRISE 年永實業有限公司	TITLE	M8 SPE 4PIN (F) Front Lock PCB Type			SHEET
CHK'D	Ku Chou			SCALE	1:1	.x ±0.20 .xx ±0.10 .xxx ±0.05 .xxxx ±0.03 ANGULA ±1°		PART NO.	WP-04F3-31-11	DWG NO.	QC11255	VERSION