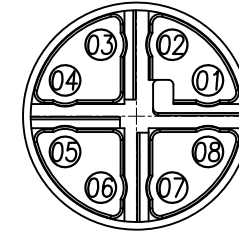
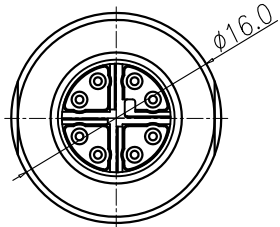


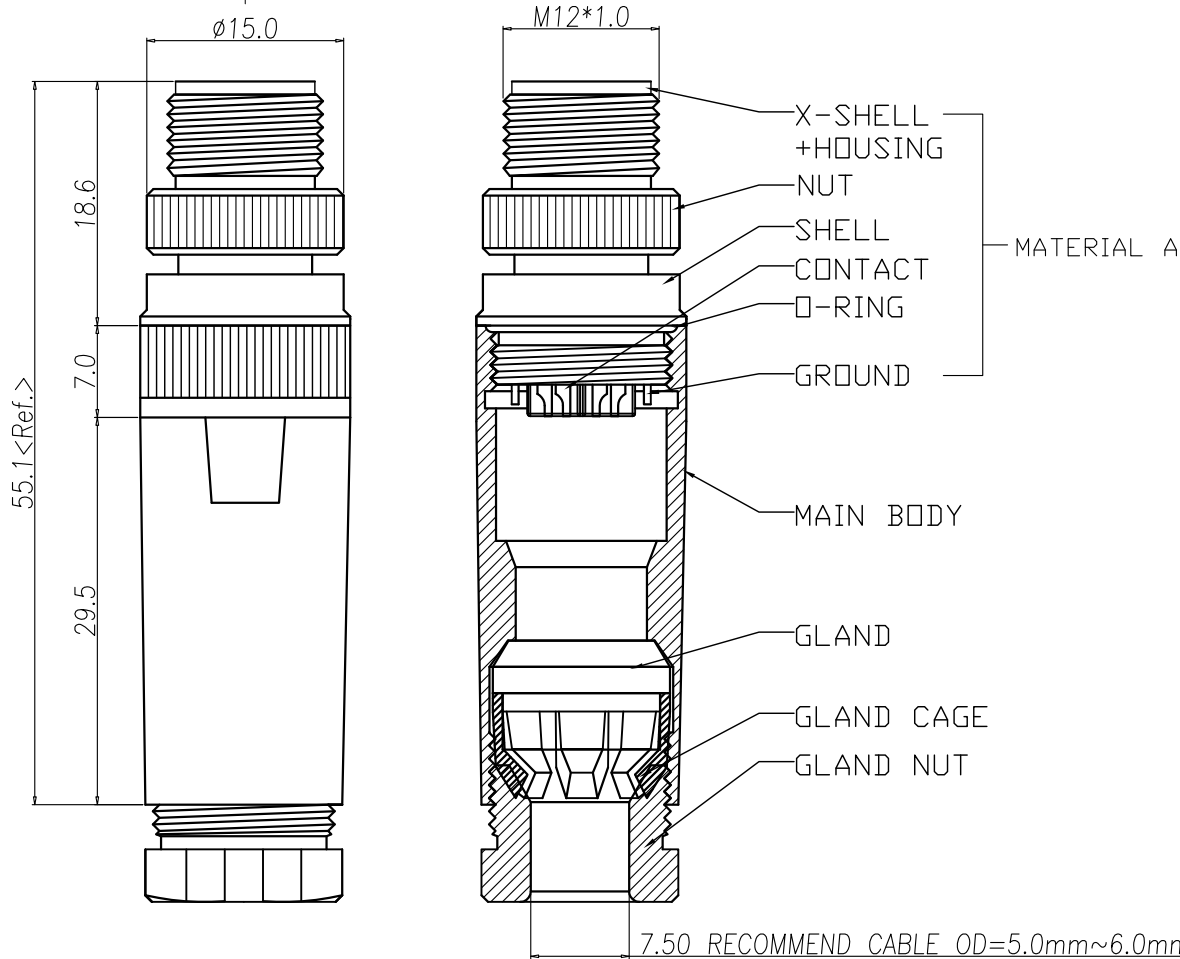
This document is the property of Nian-Yeong Corporation and is delivered on the express condition that it is not to be disclosed, reproduced or used, in whole or in part, for manufacture or sale by anyone other than Nian-Yeong Corporation without its prior consent, and that no right is granted to disclose or to use any information in this document.

CUSTOMER DRAWING

REV.	DESCRIPTION	APPROVED BY	DATE	ECN NO.
A	RELEASE	Fido Weng	15/02/22'	
B				
C				



Pin Assignments
Front View



1. MATERIAL :
 - 1-1. MATERIAL A :
 - a. HOUSING : PBT UL94V-0 ; COLOR : BLACK.
 - b. CONTACT : BRASS
 - c. NUT : ALUMINIUM ALLOY
 - d. SHELL : BRASS
 - e. O-RING : EPDM ; COLOR : BLACK
 - f. GROUND : SEE TABLE A
 - g. X-SHELL : Zn ALLOY
 - 1-2. MAIN BODY : ALUMINIUM ALLOY
 - 1-3. GLAND : SILICONE ; COLOR : BLACK.
 - 1-4. GLAND CAGE : POM ; COLOR : WHITE.
 - 1-5. GLAND NUT : ALUMINIUM ALLOY
2. FINISH :
 - 2-1. MATERIAL A :
 - a. CONTACT : 10u" GOLD PLATED
 - b. NUT : SATIN NICKEL PLATED.
 - c. SHELL : NICKEL PLATED.
 - d. GROUND : SEE TABLE A.
 - e. X-SHELL : NICKEL PLATED.
 - 2-2. MAIN BODY : SATIN NICKEL PLATED.
 - 2-3. GLAND NUT : SATIN NICKEL PLATED.
3. ELECTRICAL SPECIFICATION :
 - 3-1. Rated current : 0.5A
 - 3-2. Rated voltage : 48V
 - 3-3. Water proof : IP67
4. Environmental :
 - 4-1. Operation Temperature : -40C~85C

TABLE A/表A

WP-08M2-148-11	-	-	無接地
WP-08M2-149-11	BRASS	NICKEL PLATED	有接地
PART No.	MATERIAL(GROUND)	FINISH(GROUND)	NOTE

DRAWN	Mark Kao	APP'D	Emily Suen	UNIT	mm	TOLERANCE	NIAN YEONG ENTERPRISE		TITLE	M12 8PIN(M) X-coded Assembly type			SHEET
CHK'D	Emily Suen			SCALE	1:1	.x ±0.20 .xx ±0.10 .xxx ±0.05 .xxxx ±0.03 ANGULA ±1°	年永實業有限公司		PART NO.	SEE TABLE A	DWG NO.	QC10992	VERSION A