

This document is the property of Nian-Yeong Corporation and is delivered on the express condition that it is not to be disclosed, reproduced or used, in whole or in part, for manufacture or sale by anyone other than Nian-Yeong Corporation without its prior consent, and that no right is granted to disclose or to use any information in this document.

CUSTOMER DRAWING

| REV. | DESCRIPTION | APPROVED BY | DATE | ECN NO. |
|------|-------------|-------------|----------|---------|
| A | RELEASE | Fido Weng | 17/04/23 | |
| B | | | | |
| C | | | | |

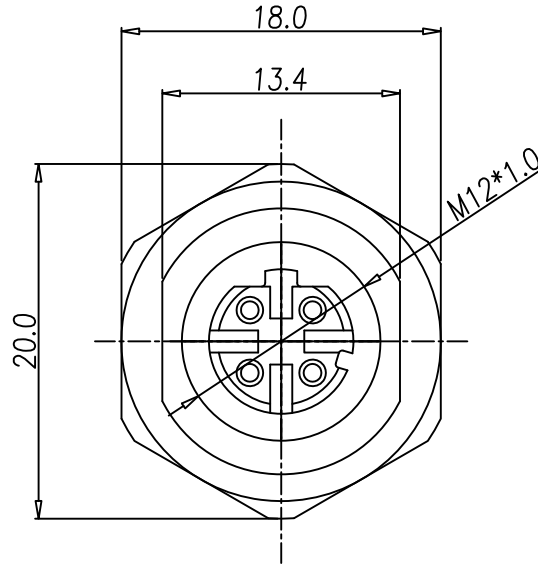
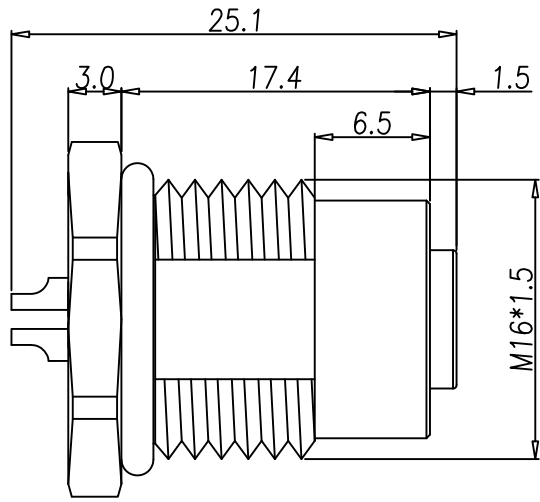
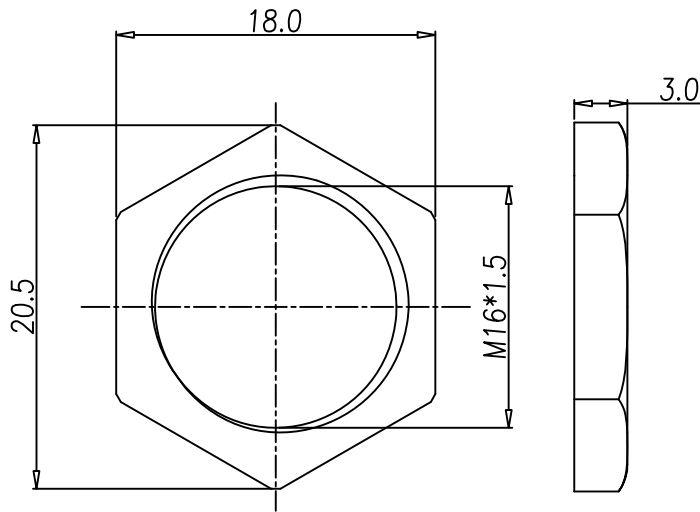
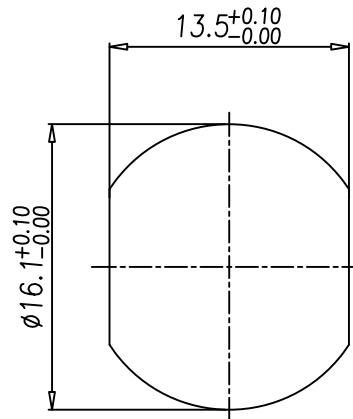


TABLE A

| | |
|----------------|----------------|
| <p>5PIN</p> | <p>4PIN</p> |
| WP-05F2-257-11 | WP-04F2-292-11 |



NUT



RECOMMEND PANEL CUT-OUT

- MATERIAL :
 - HOUSING : PBT UL94V-0 ; COLOR : BLACK
 - CONTACT : BRASS
 - NUT : BRASS
 - SHELL : BRASS
 - O-RING : EPDM
- FINISH :
 - CONTACT : GOLD FLASH PLATED
UNDER PLATE : NICKEL
 - NUT : NICKEL PLATED
 - SHELL : NICKEL PLATED
- ELECTRICAL SPECIFICATION :
 - Rated current : 4A
 - Rated Voltage : 4PIN 250V ; 5PIN 60V
 - Water proof : IP67
- Environmental :
 - Operation Temperature : -40℃~85℃

| | | | | | | | | | | | | | | |
|--------|------------|--------|------------|-------|-----|--|--|--|----------|-----------------------------------|---------|---------|---------|---|
| DRAWN | Mark Kao | APPEND | Emily Suen | UNIT | mm | TOLERANCE | | | TITLE | 防水頭 M12 (F) D-CODED 前鎖M16*1.5 焊線式 | | | SHEET | 1 |
| CHOKED | Emily Suen | | | SCALE | 1:1 | .x ±0.20 .xx ±0.10 .xxx ±0.05 .xxxx ±0.03 ANGULA ±1° | | | PART NO. | SEE TABLE A | DWG NO. | QC10654 | VERSION | A |

NIAN YEONG ENTERPRISE
年永實業有限公司