

This document is the property of Nian-Yeong Corporation and is delivered on the express condition that it is not to be disclosed, reproduced or used, in whole or in part, for manufacture or sale by anyone other than Nian-Yeong Corporation without its prior consent, and that no right is granted to disclose or to use any information in this document.

CUSTOMER DRAWING

REV.	DESCRIPTION	APPROVED BY	DATE	ECN NO.
A	RELEASE	Fido Weng	18/01/24"	
B				
C				

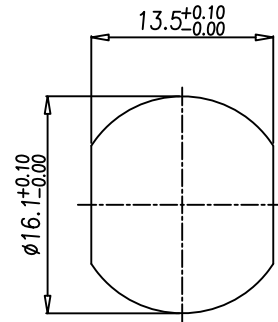
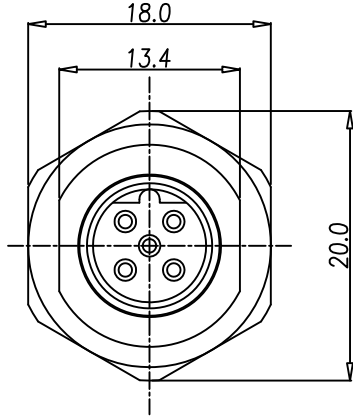
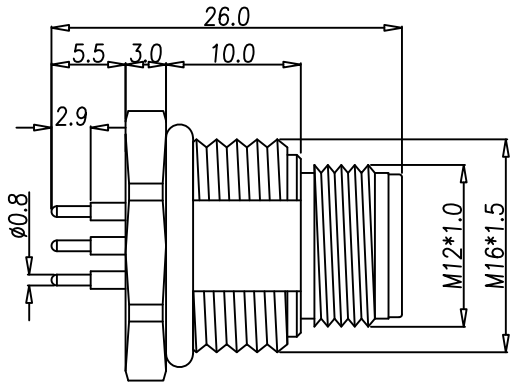
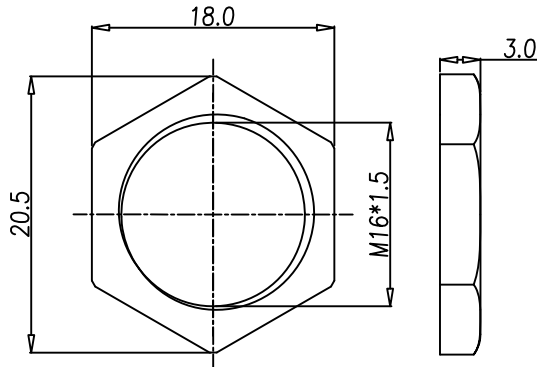
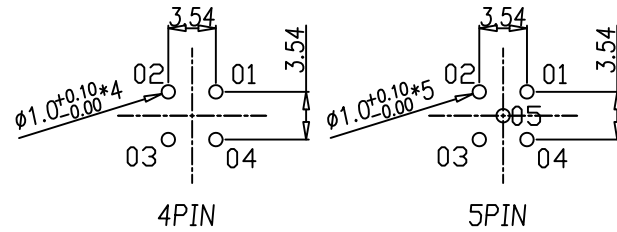


TABLE A

<p>5PIN</p> <p>WP-05M3-30-11</p>	<p>4PIN</p> <p>WP-04M3-26-11</p>
----------------------------------	----------------------------------



NUT



RECOMMEND P.C.B LAYOUT

1. MATERIAL :
 - 1-1. HOUSING : PBT UL94V-0 ; COLOR : BLACK
 - 1-2. CONTACT : BRASS
 - 1-3. NUT : BRASS
 - 1-4. SHELL : BRASS
 - 1-5. O-RING : EPDM
2. FINISH :
 - 2-1. CONTACT : GOLD FLASH PLATED
 - 2-2. NUT : NICKEL PLATED
 - 2-3. SHELL : NICKEL PLATED
3. ELECTRICAL SPECIFICATION :
 - 3-1. Rated current : 4A
 - 3-2. Rated voltage : 4PIN 250V ; 5PIN 60V
 - 3-3. Water proof: IP67
4. Environmental :
 - 4-1. Operation Temperature : -40°C~85°C

DRAWN	Mark Kao	APPEND	Fido Weng	UNIT	mm	TOLERANCE		<p>NIAN YEONG ENTERPRISE 年永實業有限公司</p>	TITLE	防水頭 M12 B-CODED (M) 前鎖M16*1.5插件式			SHEET	1/1
CHOKED	Emily Suen			SCALE	1:1	.x ±0.20 .xx ±0.10 .xxx ±0.05 .xxxx ±0.03 ANGULA ±1°			PART NO.	SEE TABLE A	DWG NO.	QC11076	VERSION	A