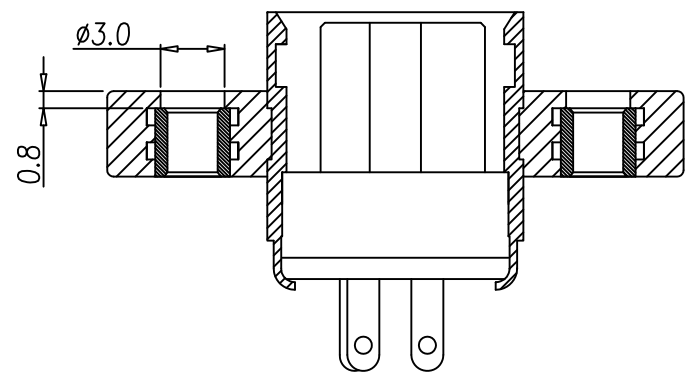
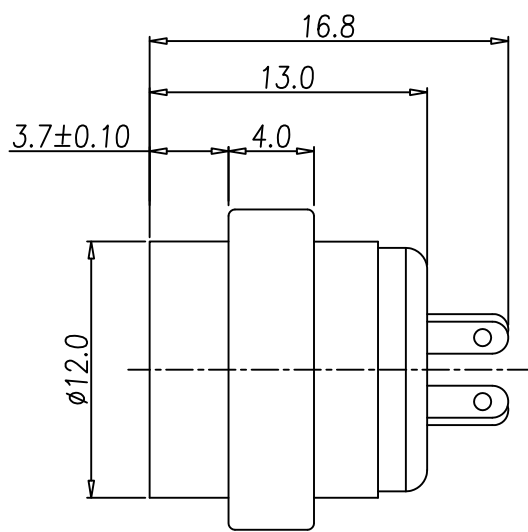
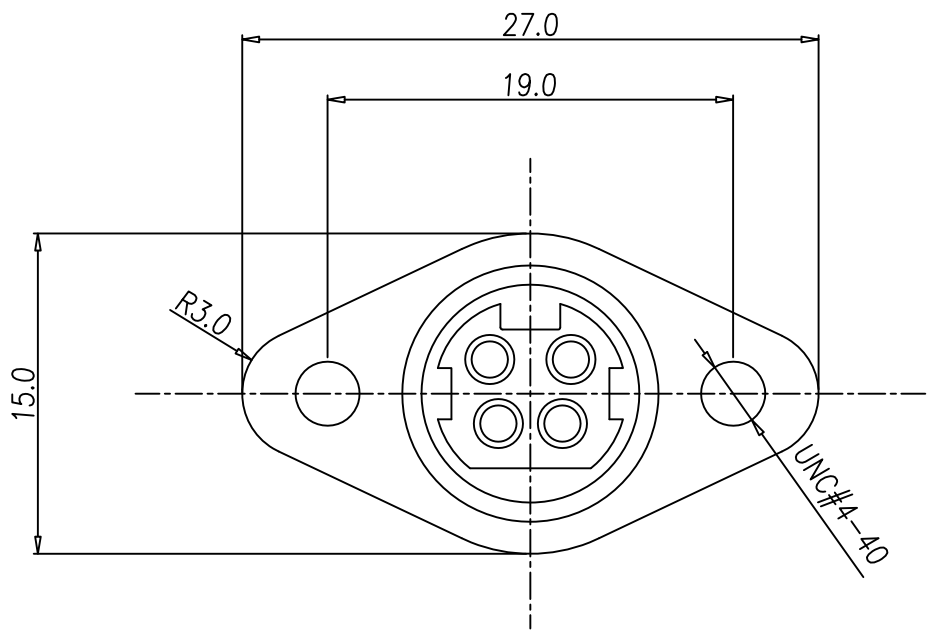


This document is the property of Nian-Yeong Corporation and is delivered on the express condition that it is not to be disclosed, reproduced or used, in whole or in part, for manufacture or sale by anyone other than Nian-Yeong Corporation without its prior consent, and that no right is granted to disclose or to use any information in this document.

CUSTOMER DRAWING

| REV. | DESCRIPTION | APPVL. BY | DATE | ECN NO. |
|------|-------------|-----------|-----------|---------|
| A | RELEASE | LEO | 01/07/24* | |
| B | | | | |
| C | | | | |



- NOTE:
- MATERIAL:
 - 1-1. HOUSING : PBT UL94V-0 ; COLOR : BLACK
 - 1-2. CONTACT : PHOSPHOR BRONZE
 - 1-3. SHELL : BRASS
 - 1-4. BACK COVER : PBT UL94V-0 ; COLOR : BLACK
 - 1-5. NUT : BRASS
 - 1-6. FLANGE : PBT UL94V-0 ; COLOR : BLACK
 - PLATING:
 - 2-1. CONTACT : TIN PLATED.
 - 2-2. SHELL : NICKEL PLATED.
 - 2-3. NUT : NICKEL PLATED.
 - ELETRICAL SPECICATION :
 - 3-1. RATED CURRENT : 7.5A/DC MAX
 - 3-2. RATED VOLTAGE : 20V/DC MAX
 - ENVIRONMENTAL :
 - 4-1. OPERATION TEMPERATURE : -20℃~85℃

| | | | | | | | | | | | | | |
|-------|------------|-------|-----------|-------|-----|--|--|-------|--|---------------|---------|---------|---------|
| DRAW | LEO | APPVL | Fido Weng | UNIT | mm | TOLERANCE | | TITLE | POWER DIN 4(F) SOCKET (#4-40)(Rotate 180°) | | | SHEET | 1 |
| CHECK | Emily Suen | | | SCALE | 1:1 | .x ±0.25 .xx ±0.15 .xxx ±0.10 .xxxx ±0.05 ANGULA ±1° | | | PART NO. | PD-04F2-26-11 | DWG NO. | QC11020 | VERSION |