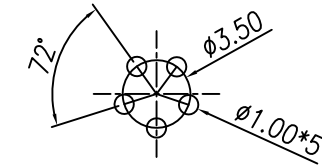
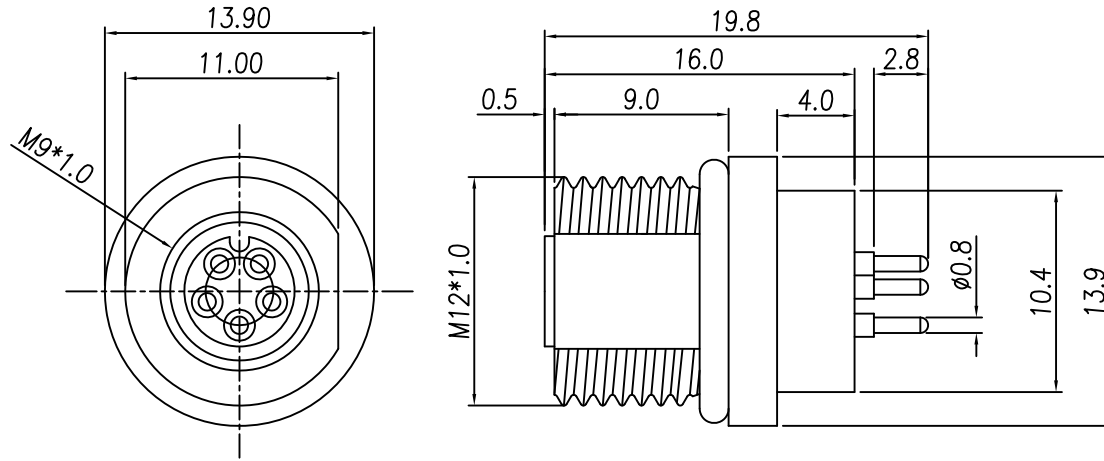


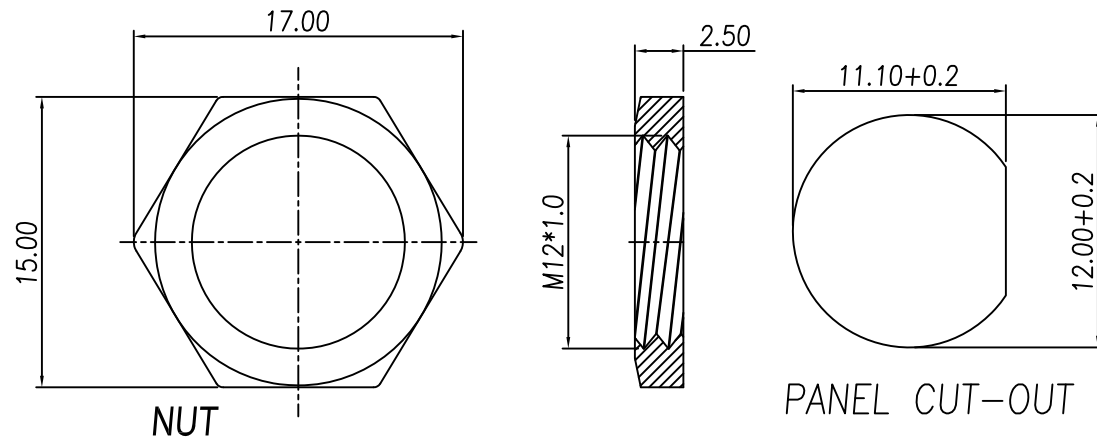
This document is the property of Nian-Yeong Corporation and is delivered on the express condition that it is not to be disclosed, reproduced or used, in whole or in part, for manufacture or sale by anyone other than Nian-Yeong Corporation without its prior consent, and that no right is granted to disclose or to use any information in this document.

CUSTOMER DRAWING

REV.	DESCRIPTION	APPROVED BY	DATE	ECN NO.
A	RELEASE	Fido Weng	31/03/16'	
B				
C				



RECOMMEND P.C.B LAYOUT



- MATERIAL :
 - 1-1. HOUSING : PBT UL94V-0 ; COLOR : BLACK
 - 1-2. CONTACT : BRASS
 - 1-3. O-RING A : NBR; COLOR : BLACK
 - 1-4. O-RING B : EPDM ; COLOR : BLACK
 - 1-5. NUT : BRASS
 - 1-6. SHELL : BRASS
- FINISH :
 - 2-1. CONTACT : GOLD PLATED
 - UNDER PLATE : NICKEL
 - 2-2. NUT : NICKEL PLATED .
 - 2-3. SHELL : NICKEL PLATED .
- ELECTRICAL SPECIFICATION :
 - 3-1. Rated current : 4A
 - 3-2. Voltage :60V
 - 3-3. Water proof: IPX7
- Environmental :
 - 4-1. Operation Temperature : -20 °C~85°C

DRAWN	KU	APP'D	UNIT	mm	TOLERANCE			NIAN YEONG ENTERPRISE 年永實業有限公司	TITLE	防水頭 M9 5PIN (F) 板端前鎖DIP式			SHEET	1/1
CHK'D			SCALE	1:1	.x ±0.20 .xx ±0.10 .xxx ±0.05 .xxxx ±0.03 ANGULA ±1°				PART NO.	WP-05F3-01-11	DWG NO.	QC7644	VERSION	A