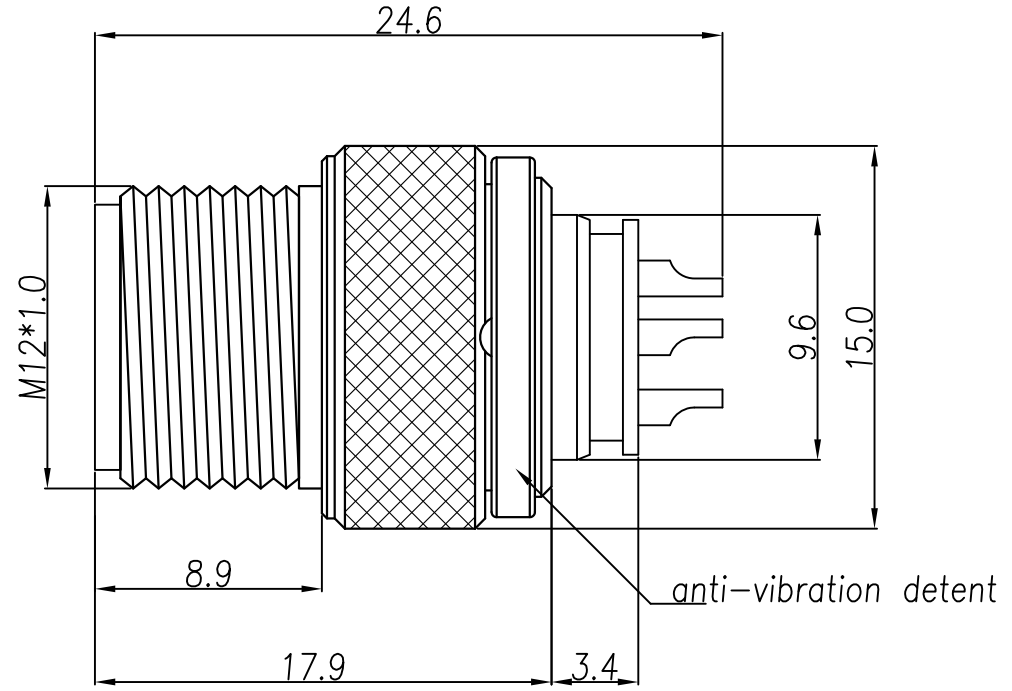
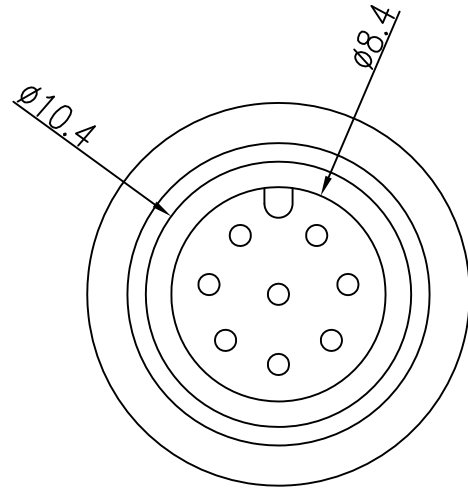


This document is the property of Nian-Yeong Corporation and is delivered on the express condition that it is not to be disclosed, reproduced or used, in whole or in part, for manufacture or sale by anyone other than Nian-Yeong Corporation without its prior consent, and that no right is granted to disclose or to use any information in this document.

CUSTOMER DRAWING

REV.	DESCRIPTION	APPROVED BY	DATE	ECN NO.
A	RELEASE	LED	22/03/23*	
B				
C				



1. MATERIAL :
 - 1-1. HOUSING : PA66 ; COLOR : BLACK
 - 1-2. CONTACT : BRASS
 - 1-3. NUT : BRASS
2. FINISH :
 - 2-1. CONTACT : GOLD PLATED OVER ALL
 - 2-2. SHELL : NICKEL PLATED
3. ELECTRICAL SPECIFICATION :
 - 3-1. Rated current : 2A
 - 3-2. Rated Voltage : 30V
 - 3-3. Water proof : IP68
4. Environmental :
 - 4-1. Operation Temperature : $-40^{\circ}\text{C} \sim 105^{\circ}\text{C}$

DRAWN	LED	APP'D	Emily Suen	UNIT	mm	TOLERANCE		NIAN YEONG ENTERPRISE 年永實業有限公司	TITLE	防水頭 M12 8PIN(M)A-CODE 止滑焊線式			SHEET	1/1
CHK'D	Emily Suen			SCALE	1:1	.x ±0.20 .xx ±0.10 .xxx ±0.05 .xxxx ±0.01 ANGULA ±1°			PART NO.	WP-08M2-134-11	DWG NO.	QC10631	VERSION	A