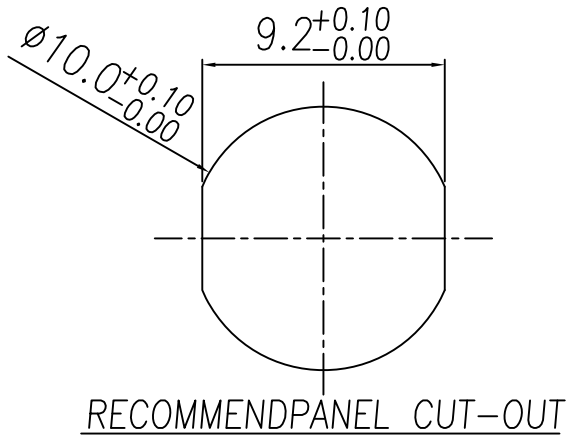
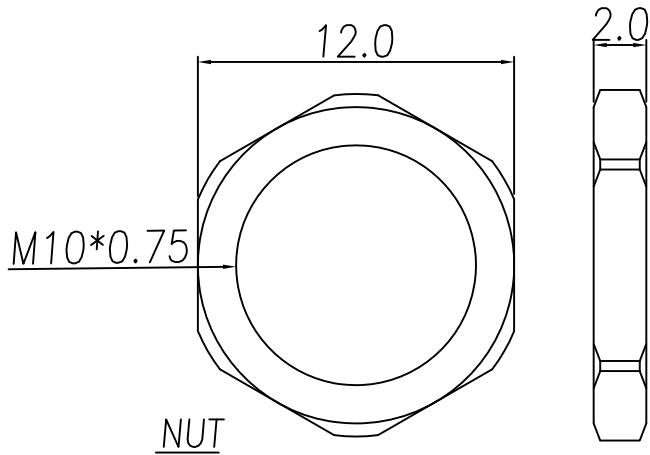
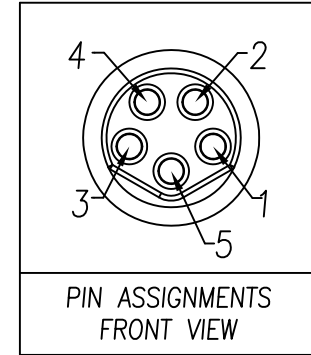
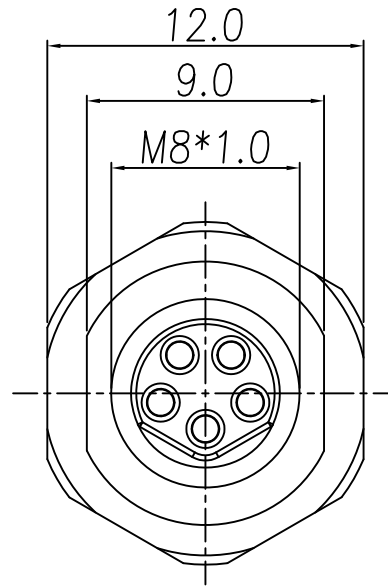
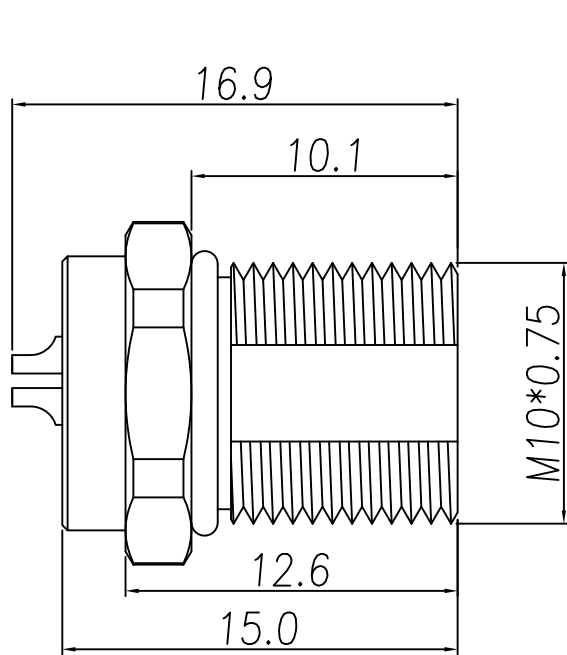


This document is the property of Nian-Yeong Corporation and is delivered on the express condition that it is not to be disclosed, reproduced or used, in whole or in part, for manufacture or sale by anyone other than Nian-Yeong Corporation without its prior consent, and that no right is granted to disclose or to use any information in this document.

CUSTOMER DRAWING

| REV. | DESCRIPTION | APPVL. BY | DATE     | ECN NO. |
|------|-------------|-----------|----------|---------|
| A    | RELEASE     | Fido Weng | 09/01/24 |         |
| B    |             |           |          |         |
| C    |             |           |          |         |



NOTE:

- MATERIAL :
  - 1-1. HOUSING : PA66 ; COLOR : BLACK
  - 1-2. CONTACT : BRASS.
  - 1-3. SHELL : BRASS.
  - 1-4. NUT : BRASS.
  - 1-5. O-RING : EPDM ; COLOR : BLACK
- FINISH :
  - 2-1. CONTACT : GOLD FLASH PLATED
  - 2-2. SHELL : NICKEL PLATED.
  - 2-3. NUT : NICKEL PLATED.
- ELECTRICAL SPECIFICATION :
  - 3-1. Rated current : 3A
  - 3-2. Rated Voltage : 30V
  - 3-3. Water proof : IP67
- Environmental :
  - 4-1. Operation Temperature : -40°C~105°C

|       |          |       |            |       |     |  |  |  |          |                                |         |         |         |     |
|-------|----------|-------|------------|-------|-----|--|--|--|----------|--------------------------------|---------|---------|---------|-----|
| DRAW  | Mark Kao | APPVL | Emily Suen | UNIT  | mm  | TOLERANCE  |  |  | TITLE    | M8 5PIN(F) B CODED前鎖M10*0.75線式 |         |         | SHEET   | 1/1 |
| CHECK | Ku Chou  |       |            | SCALE | 1:1 | .x ±0.20<br>.xx ±0.10<br>.xxx ±0.05<br>.xxxx ±0.03<br>ANGULA ±1° |  |  | PART NO. | WP-05F2-251-11                 | DWG NO. | QC10924 | VERSION | A   |

NIAN YEONG ENTERPRISE  
年永實業有限公司