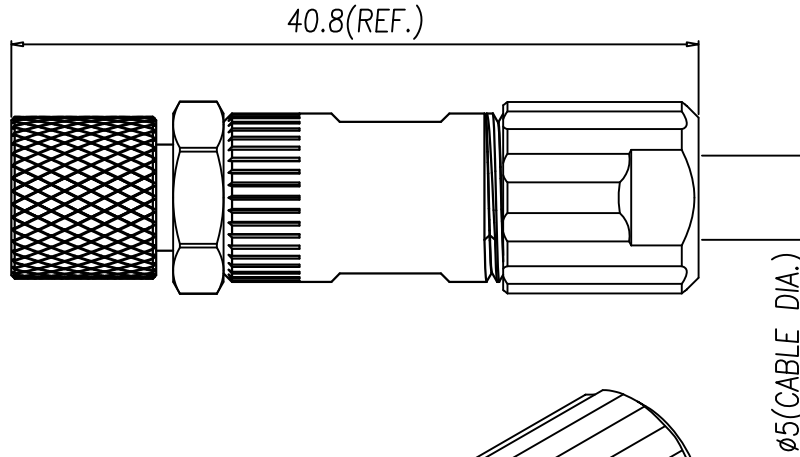
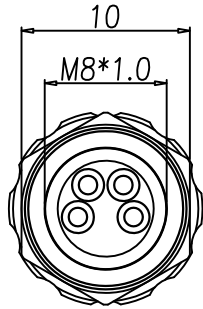


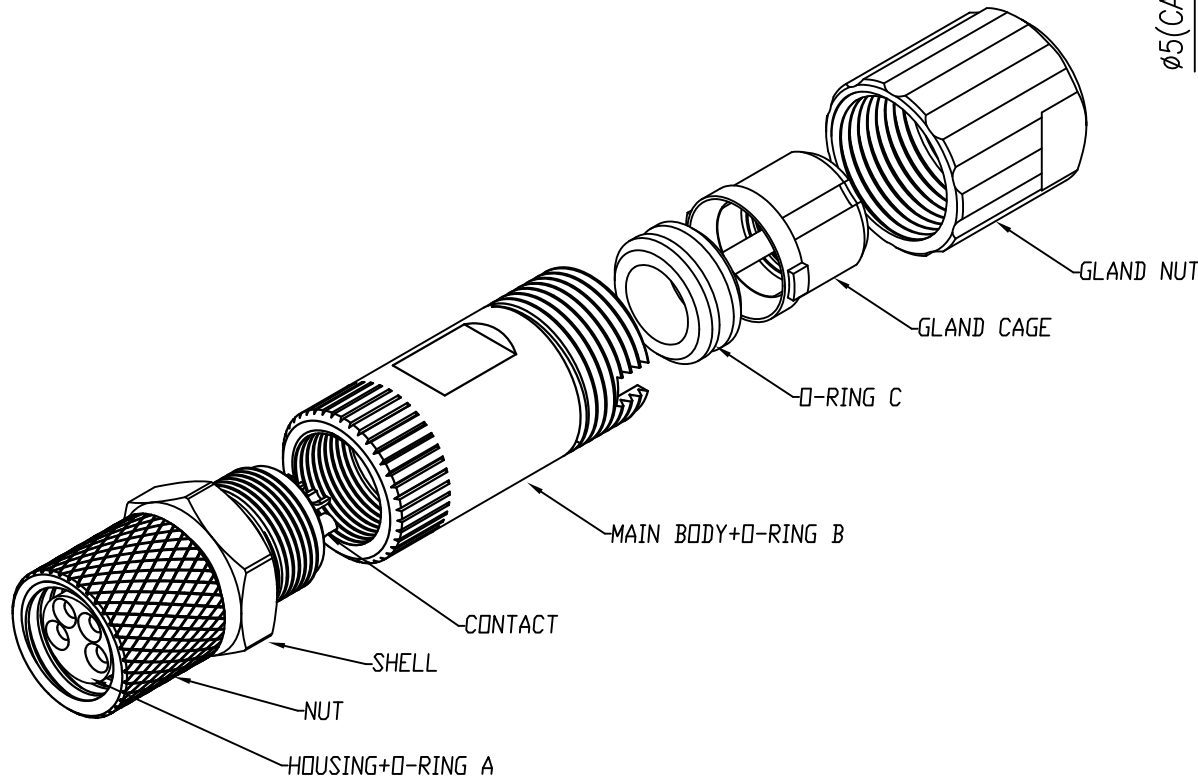
This document is the property of Nian-Yeong Corporation and is delivered on the express condition that it is not to be disclosed, reproduced or used, in whole or in part, for manufacture or sale by anyone other than Nian-Yeong Corporation without its prior consent, and that no right is granted to disclose or to use any information in this document.

CUSTOMER DRAWING

REV.	DESCRIPTION	APPROVED BY	DATE	ECN NO.
A	RELEASE	Ku Chou	27/06/24*	
B				
C				



WP-04F2-313-11	WP-03F2-185-11	WP-02F2-119-11



1. MATERIAL :

- 1-1. MATERIAL A
 - a. HOUSING : PBT UL94V-0 ; COLOR : BLACK.
 - b. CONTACT : BRASS
 - c. NUT : BRASS
 - d. SHELL : ALUMINIUM ALLOY
 - e. O-RING A : NBR ; COLOR : BLACK
- 1-2. MATERIAL B
 - a. MAIN BODY : ALUMINIUM ALLOY
 - b. O-RING B : EPDM ; COLOR : BLACK
- 1-3. O-RING C : NBR COLOR : BLACK.
- 1-4. GLAND CAGE : PA66 ; COLOR : WHITE.
- 1-5. GLAND NUT : PA66 ; COLOR : BROWN.

2. FINISH :

- 2-1. MATERIAL A
 - a. CONTACT : GOLD FLASH PLATED.
UNDER PLATE : NICKEL.
 - b. NUT : NICKEL PLATED.
 - c. SHELL : NICKEL PLATED.
- 2-2. MAIN BODY : NICKEL PLATED.

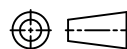
3. ELECTRICAL SPECIFICATION :

- 3-1. Rated current : 4A
- 3-2. Rated voltage : 60V
- 3-3. Water proof : IPX7

4. Environmental :

- 4-1. Operation Temperature : -40℃~85℃

DRAWN	Emily Suen	APP'D	Ku Chou	UNIT	mm	TOLERANCE
CHK'D	Ku Chou			SCALE	1:1	.x ±0.20 .xx ±0.10 .xxx ±0.05 .xxxx ±0.03 ANGULA ±1°



NIAN YEONG ENTERPRISE
年永實業有限公司

TITLE	M8 (F) Assembly type (NUT L=8.6)			SHEET	1/1
PART NO.	SEE TABLE A	DWG NO.	QC11018	VERSION	A