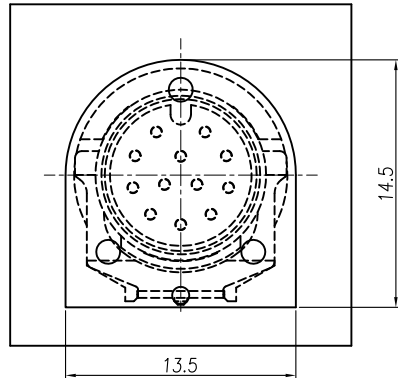
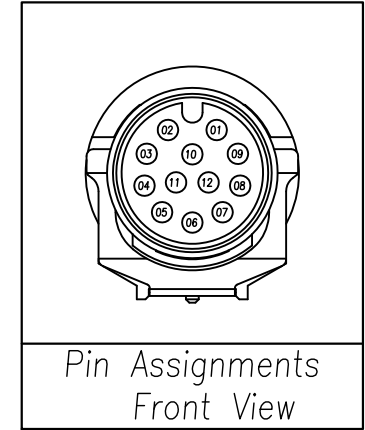
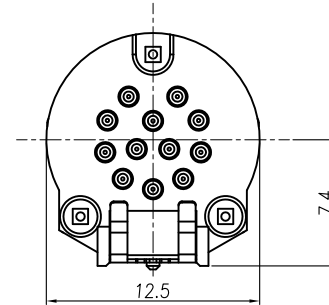
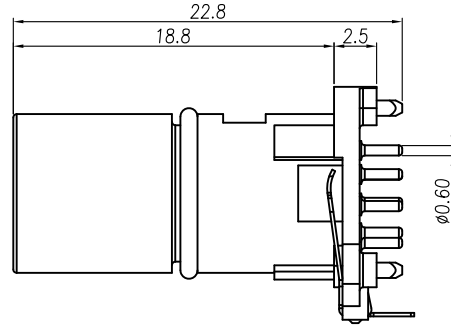
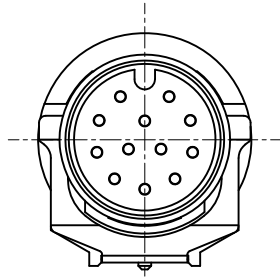


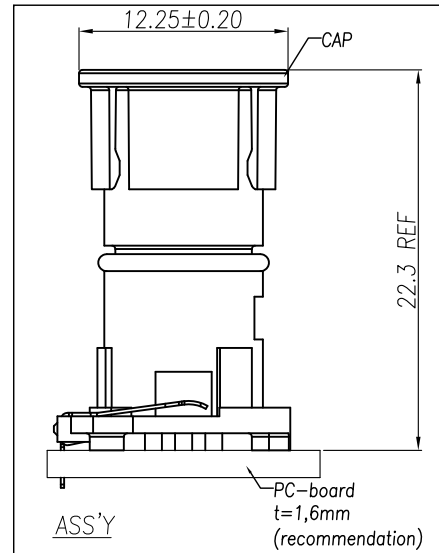
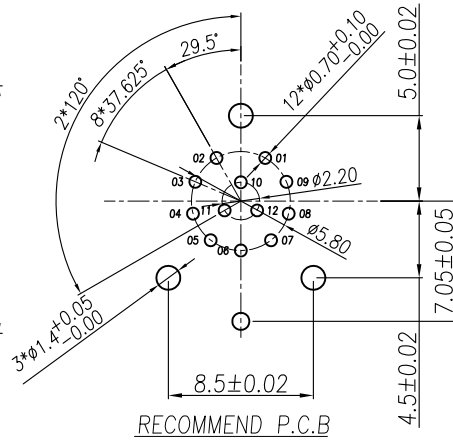
This document is the property of Nian-Yeong Corporation and is delivered on the express condition that it is not to be disclosed, reproduced or used, in whole or in part, for manufacture or sale by anyone other than Nian-Yeong Corporation without its prior consent, and that no right is granted to disclose or to use any information in this document.

CUSTOMER DRAWING

REV.	DESCRIPTION	APPROVED BY	DATE	ECN NO.
A	RELEASE	LED	19/01/24*	
B				
C				



Component side (front view)
Recommended keepout area on the circuit board



- MATERIAL :
 - HOUSING : PA9T
 - CONTACT : BRASS
 - O-RING : VITON
 - CAP : PA66
 - GROUND : PHOSPHOR BRONZE
- FINISH :
 - CONTACT : GOLD FLASH PLATED.
 - GROUND : NICKEL PLATED.
- ELECTRICAL SPECIFICATION :
 - Rated current : 1.5A
 - Rated Voltage : 30V
 - Water proof : IP67 (in mated condition)
- Environmental :
 - Operation Temperature : -25℃~85℃

DRAWN	LED	APP'D	Ku Chou	UNIT	mm	TOLERANCE			TITLE	WP M12 A-CODING 12P (M) Two-piece(Straight shielded THR)(密封型)	SHEET	1/2
CHK'D	Ku Chou			SCALE	1:1	.x ±0.20 .xx ±0.10 .xxx ±0.05 .xxxx ±0.03 ANGULAR ±1°			PART NO.	WP-12M4-01-11	DWG NO.	QC10932

This document is the property of Nian-Yeong Corporation and is delivered on the express condition that it is not to be disclosed, reproduced or used, in whole or in part, for manufacture or sale by anyone other than Nian-Yeong Corporation without its prior consent, and that no right is granted to disclose or to use any information in this document.

CUSTOMER DRAWING

REV.	DESCRIPTION	APPROVED BY	DATE	ECN NO.
A	RELEASE	LED	19/01/24'	
B				
C				

步驟一:

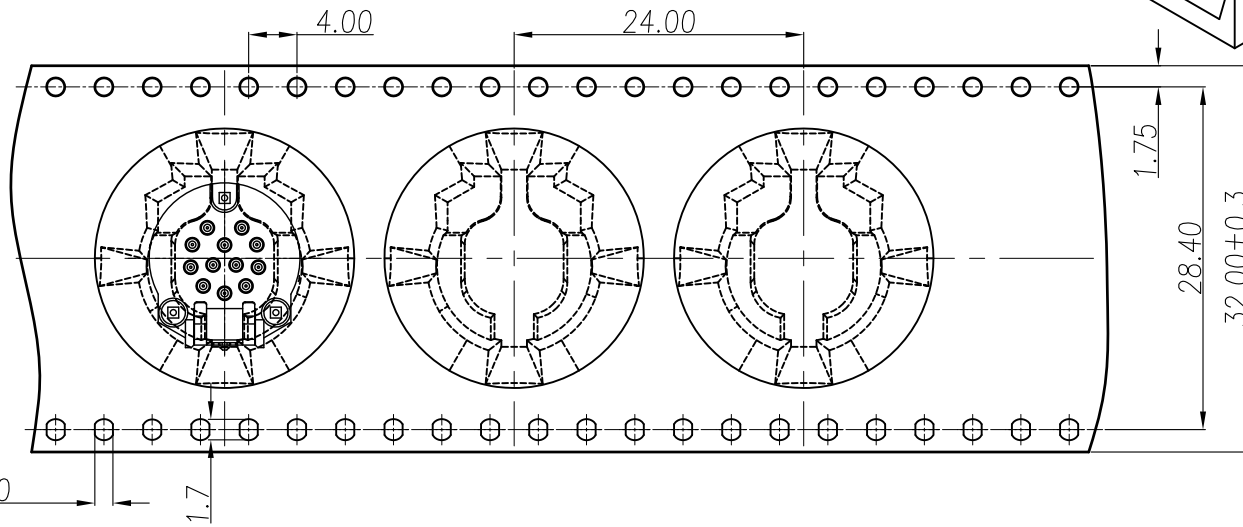
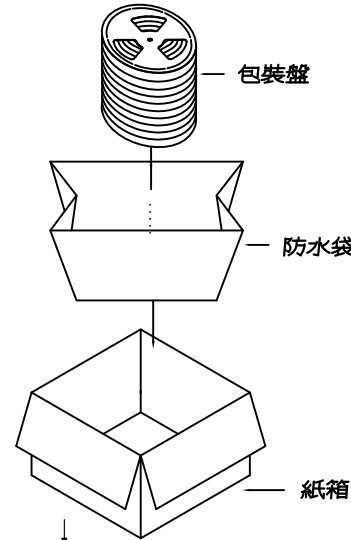
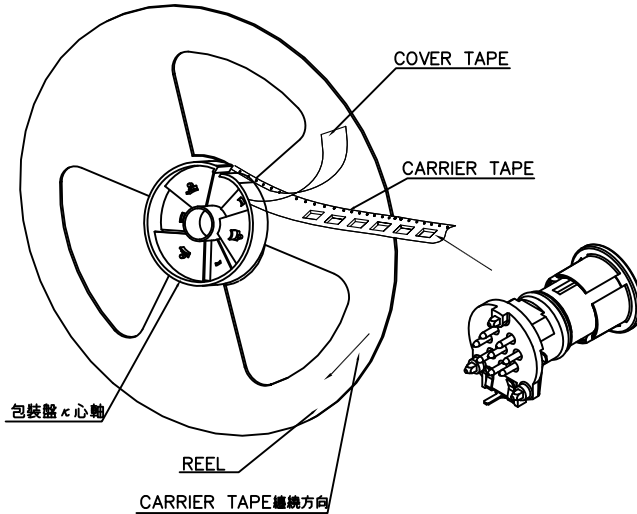
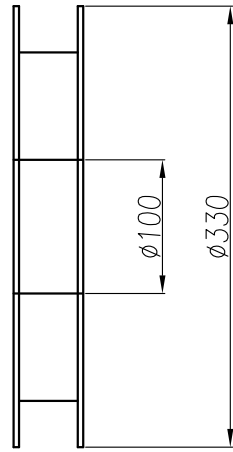
1. 將成品——放入包裝盤內,依同一方向置入.
2. 包裝方式,如圖所示.
3. 一個包裝盤 100pcs.(前後各留約十格)

步驟二:

1. 一個紙箱可以裝 10 個包裝盤.
2. 每盤 100pcs,每箱 1000pcs.
3. 將包裝盤放入防水袋中,包裝完後再封箱.

步驟三:

1. 用膠帶將紙箱封實.



NOTE:

1. 料帶尺寸符合(EIA-481-D)規範要求.
2. 若有未裝滿之零數箱,必須以緩衝材塞滿.
3. 在搬運過程中要輕拿輕放.
4. 載運輸中不可堆放過多,不可有重壓現象.
5. 上帶在貼下帶時必須平整.

DRAWN	LED	APP'D	Ku Chou	UNIT	mm	TOLERANCE			TITLE	WP M12 A-CODING 12P (M) Two-piece(Straight shielded THR)(電子線)			SHEET	2
CHK'D	Ku Chou			SCALE	1:1	.x ±0.20 .xx ±0.10 .xxx ±0.05 .xxxx ±0.03 ANGULA ±1°			PART NO.	WP-12M4-01-11	DWG NO.	QC10932	VERSION	A