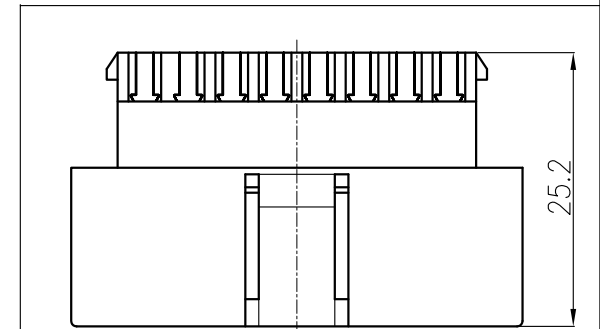
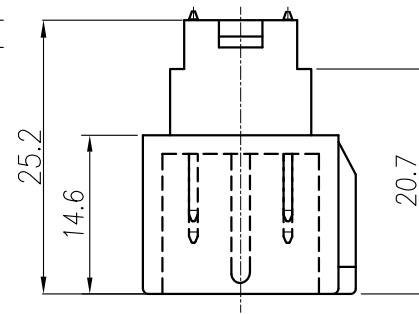
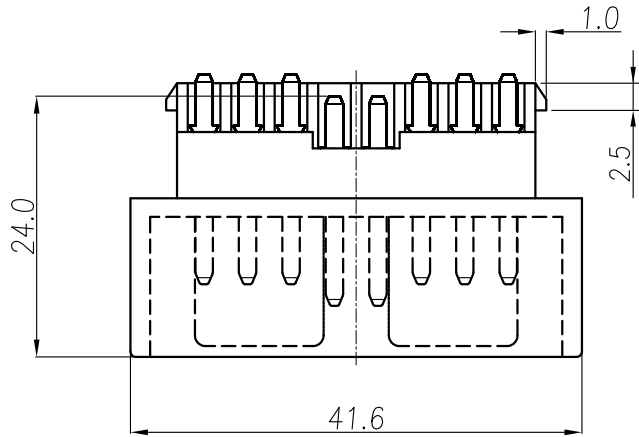
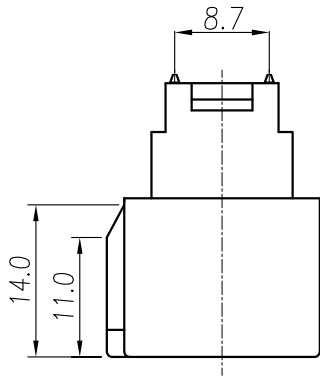
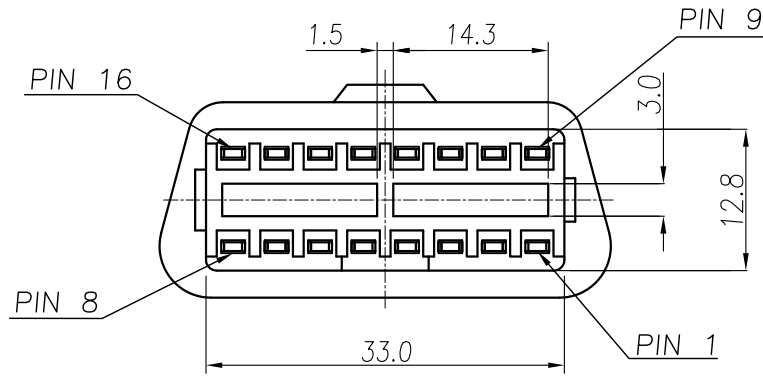


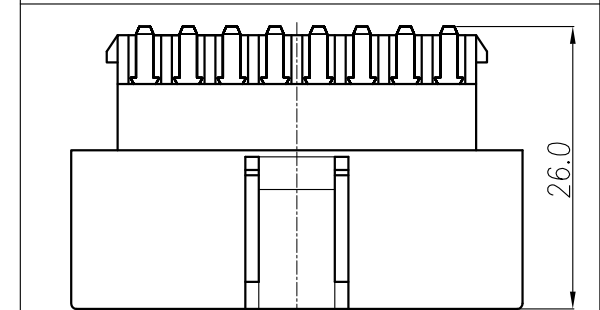
This document is the property of Nian-Yeong Corporation and is delivered on the express condition that it is not to be disclosed, reproduced or used, in whole or in part, for manufacture or sale by anyone other than Nian-Yeong Corporation without its prior consent, and that no right is granted to disclose or to use any information in this document.

CUSTOMER DRAWING

REV.	DESCRIPTION	APPROVED BY	DATE	ECN NO.
A	RELEASE	Fido Weng	22/12/08'	
B	ADD P/N	Emily Suen	02/07/12'	ECN12014
C				



OBD2-16M1-41



OBD2-16M1-62-11

OBD2-16M1-10

- MATERIAL :
 - 1-1. HOUSING : NYLON
 - 1-2. CONTACT : BRASS

- FINISH :
 - 2-1. CONTACT :SEE TABLE A
 - SOLDER AREA : SEE TABLE A
 - UNDER PLATE : NICKEL

TABLE A

OBD2-16M1-62-11	MATTE TIN 150u"	
OBD2-16M1-41	GOLD FLASH	TIN 60u"
OBD2-16M1-10	GOLD FLASH	TIN 60u"
PART NO	CONTACT	SOLDER AREA

DRAWN	Ku	APP'D	Emily Suen	UNIT	mm	TOLERANCE
CHK'D	Emily Suen			SCALE	1:1	.x ±0.20 .xx ±0.10 .xxx ±0.05 .xxxx ±0.03 ANGULA ±1°



NIAN YEONG ENTERPRISE
年永實業有限公司

TITLE	OBD2 16(M)雙隔板成型式			SHEET	1
PART NO.	SEE TABLE A	DWG NO.	QC3165	VERSION	B