

This document is the property of Nian-Yeong Corporation and is delivered on the express condition that it is not to be disclosed, reproduced or used, in whole or in part, for manufacture or sale by anyone other than Nian-Yeong Corporation without its prior consent, and that no right is granted to disclose or to use any information in this document.

CUSTOMER DRAWING

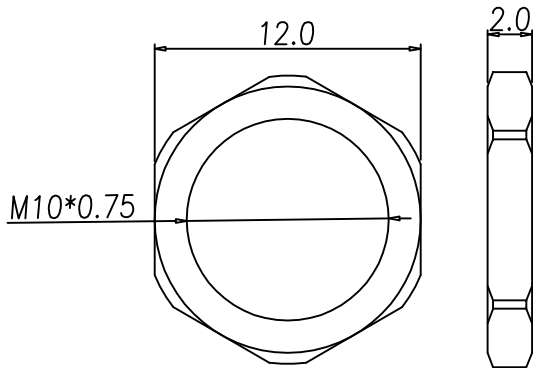
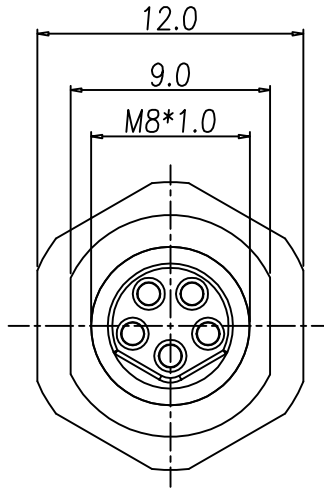
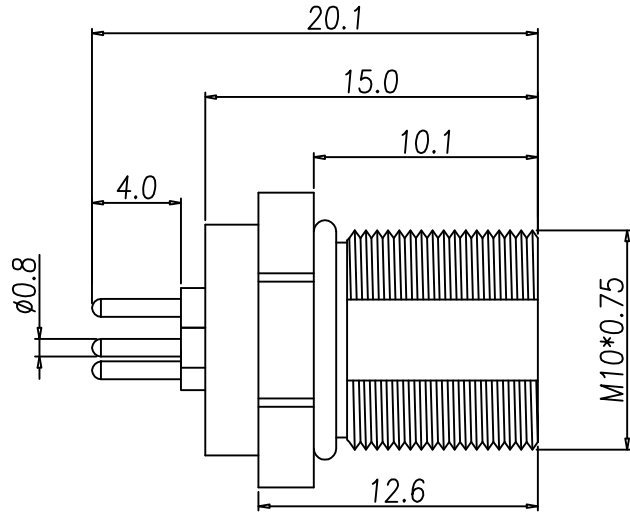
REV.	DESCRIPTION	APPVL. BY	DATE	ECN NO.
A	RELEASE	Ku Chou	01/12/23*	
B				
C				

NOTE:

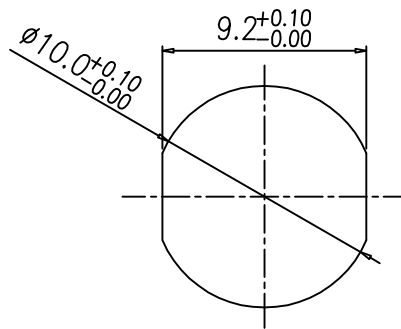
- MATERIAL :
  - HOUSING : PA66 ; COLOR : BLACK
  - CONTACT : BRASS.
  - SHELL : BRASS.
  - NUT : BRASS.
  - O-RING : EPDM ; COLOR : BLACK
- FINISH :
  - CONTACT : SEE TABLE A
  - SHELL : NICKEL PLATED.
  - NUT : NICKEL PLATED.
- ELECTRICAL SPECIFICATION :
  - Rated current : 3A
  - Rated Voltage : 30V
  - Water proof : IP67
- Environmental :
  - Operation Temperature : -40°C~85°C

TABLE A

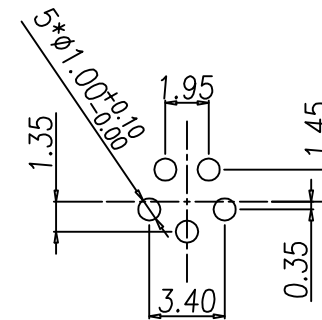
PART No.	FINISH
WP-05F3-33-11	10u" GOLD PLATED
WP-05F3-32-11	GOLD FLASH PLATED



NUT



RECOMMEND PANEL CUT-OUT



RECOMMEND P.C.B LAYOUT

DRAWN	Emily Suen	APP'D	Ku Chou	UNIT	mm	TOLERANCE	 <b>NIAN YEONG ENTERPRISE</b> 年永實業有限公司	TITLE	M8 5PIN(F) B CODED前鎖M10*0.75插板式			SHEET
CHK'D	Ku Chou	SCALE	1:1	ANGULA	±1°	PART NO.		SEE TABLE A	DWG NO.	QC10874	VERSION	A
				.x	±0.20							
				.xx	±0.10							
				.xxx	±0.05							
				.xxxx	±0.03							