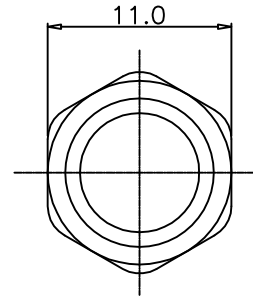
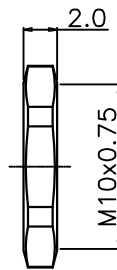
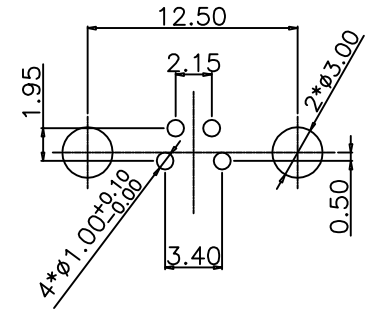
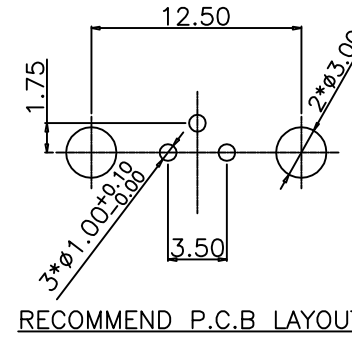
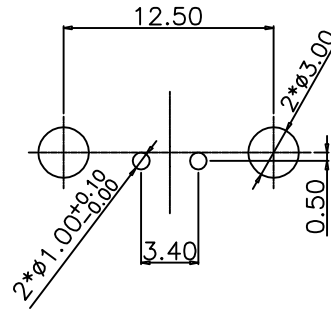
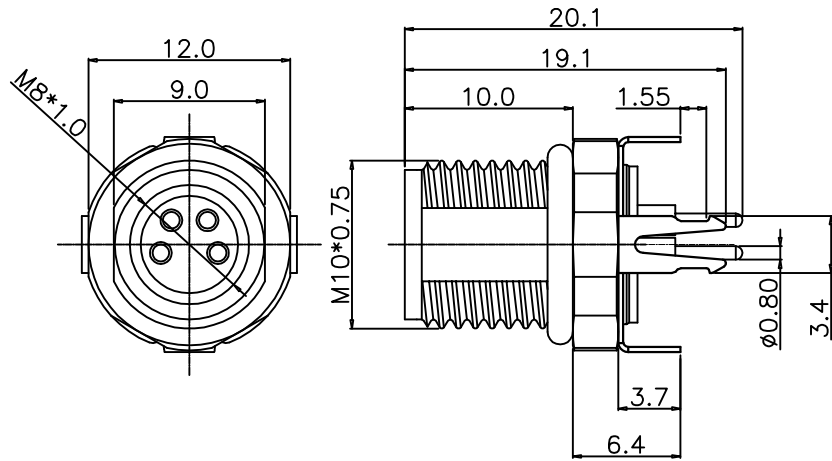


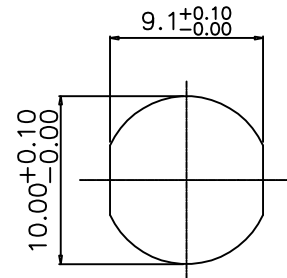
This document is the property of Nian-Yeong Corporation and is delivered on the express condition that it is not to be disclosed, reproduced or used, in whole or in part, for manufacture or sale by anyone other than Nian-Yeong Corporation without its prior consent, and that no right is granted to disclose or to use any information in this document.

CUSTOMER DRAWING

REV.	DESCRIPTION	APPROVED BY	DATE	ECN NO.
A	RELEASE	Yeh Chou	16/08/23*	
B				
C				



NUT



RECOMMEND PANEL CUT-OUT

- MATERIAL :
 - 1-1. HOUSING : PA66 UL94V-0 ; COLOR : BLACK
 - 1-2. CONTACT : BRASS.
 - 1-3. NUT : BRASS.
 - 1-4. SHELL : BRASS.
 - 1-5. O-RING : NBR
 - 1-6. GROUND : PHOSPHOR BRONZE
- FINISH :
 - 2-1. CONTACT : GOLD FLASH PLATED
UNDER PLATE : NICKEL
 - 2-2. NUT : NICKEL PLATED
 - 2-3. SHELL : NICKEL PLATED
 - 2-4. GROUND : NICKEL PLATED
- ELECTRICAL SPECIFICATION :
 - 3-1. Rated current : 4A
 - 3-2. Rated Voltage : 60V
 - 3-3. Water proof : IP67
- Environmental :
 - 4-1. Operation Temperature : -40°C~85°C

TABLE A

2PIN	3PIN	4PIN
WP-02F3-09-11	WP-03F3-09-11	WP-04F3-26-11

PIN ASSIGNMENTS
FRONT VIEW

DRAWN	Mark Kao	APP'D	Ku Chou	UNIT	mm	TOLERANCE			TITLE	Waterproof M8 (F) 前鎖M10*0.75插板式(帶接地)			SHEET	
CHK'D	Ku Chou			SCALE	1:1	.x ±0.20 .xx ±0.10 .xxx ±0.05 .xxxx ±0.03 ANGULA ±1°			PART NO.	SEE TABLE A	DWG NO.	QC10772	VERSION	