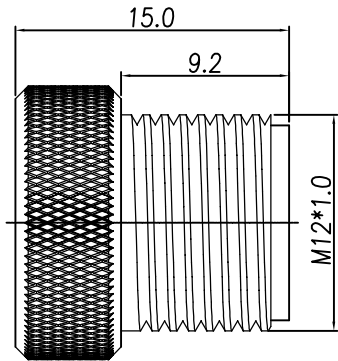
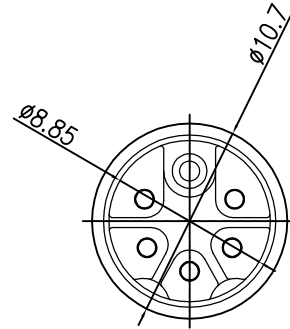
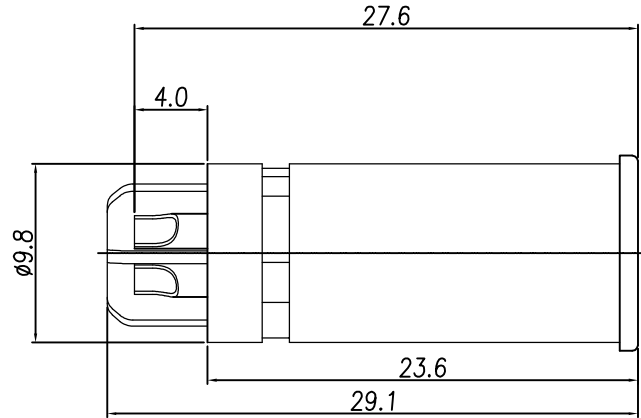


This document is the property of Nian-Yeong Corporation and is delivered on the express condition that it is not to be disclosed, reproduced or used, in whole or in part, for manufacture or sale by anyone other than Nian-Yeong Corporation without its prior consent, and that no right is granted to disclose or to use any information in this document.

CUSTOMER DRAWING

REV.	DESCRIPTION	APPROVED BY	DATE	ECN NO.
A	PRELIMINARY RELEASE	Ku Chou	10/05/23'	
B				
C				



NUT

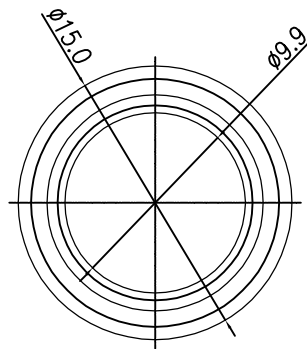


Table A

3 Way(2+PE)	4 Way(3+PE)
5 Way(4+PE)	6 Way(5+PE)
WP-06M2-88-11	

- MATERIAL :
 - HOUSING : PA66 UL94V-0 ; COLOR : BLACK
 - CONTACT : BRASS
 - NUT : BRASS
- FINISH :
 - CONTACT : 10u" MIN. GOLD PLATED
 - NUT : NICKEL PLATED
- ELECTRICAL SPECIFICATION :
 - RATED CURRENT: 8A
 - RATED VOLTAGE : 630 V
 - WATER PROOF: IP67
- ENVIRONMENTAL :
 - OPERATION TEMPERATURE : -40°C~85°C

DRAWN	Emily Suen	APP'D	Ku Chou	UNIT	mm	TOLERANCE			TITLE	M12 M-CODING (M) MOLDED WITH CABLE			SHEET
CHK'D	Ku Chou			SCALE	1:1	ANGULAR ±1°			PART NO.	SEE TABLE A	DWG NO.	QC10769	VERSION
								年永實業有限公司				A	