

This document is the property of Nian-Yeong Corporation and is delivered on the express condition that it is not to be disclosed, reproduced or used, in whole or in part, for manufacture or sale by anyone other than Nian-Yeong Corporation without its prior consent, and that no right is granted to disclose or to use any information in this document.

CUSTOMER DRAWING

REV.	DESCRIPTION	APPROVED BY	DATE	ECN NO.
A	RELEASE	LED	21/12/22*	
B				
C				

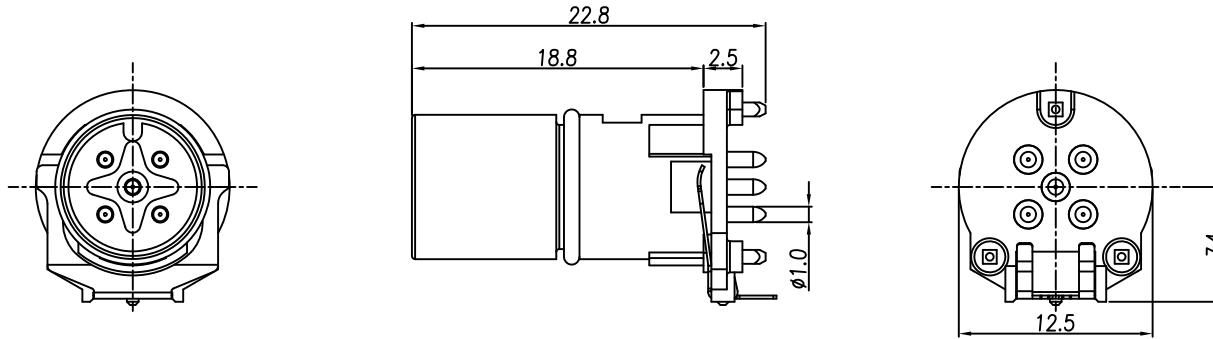
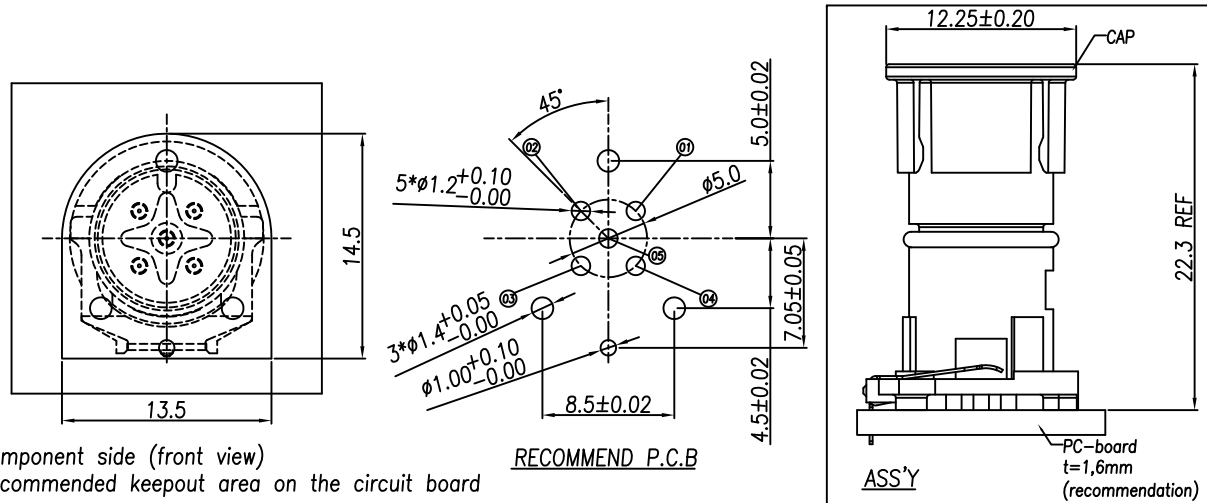


TABLE A

WP-02M4-01-11	WP-03M4-01-11
WP-04M4-01-11	WP-05M4-03-11



- MATERIAL :
 - HOUSING : PA9T
 - CONTACT : BRASS
 - O-RING : VITON
 - CAP : PA66
 - GROUND : PHOSPHOR BRONZE
- FINISH :
 - CONTACT : GOLD FLASH PLATED.
 - GROUND : NICKEL PLATED.
- ELECTRICAL SPECIFICATION :
 - Rated current : 4A
 - Rated Voltage : 2PIN~4PIN 250V ;5PIN 60V
 - Water proof : IP67 (in mated condition)
- Environmental :
 - Operation Temperature : -25°C~85°C

DRAWN	LED	APP'D	Ku Chou	UNIT	mm	TOLERANCE				NIAN YEONG ENTERPRISE 年永實業有限公司	TITLE	WP M12 A-CODING (M) Two-piece (Straight shielded THR)		SHEET	1/2
CHK'D	Ku Chou			SCALE	1:1	.x ±0.20 .xx ±0.10 .xxx ±0.05 .xxxx ±0.03 ANGULAR ±1°					PART NO.	SEE TABLE A	DWG NO.	QC10590	VERSION

This document is the property of Nian-Yeong Corporation and is delivered on the express condition that it is not to be disclosed, reproduced or used, in whole or in part, for manufacture or sale by anyone other than Nian-Yeong Corporation without its prior consent, and that no right is granted to disclose or to use any information in this document.

CUSTOMER DRAWING

REV.	DESCRIPTION	APPROVED BY	DATE	ECN NO.
A	RELEASE	LED	21/12/22'	
B				
C				

步驟一:

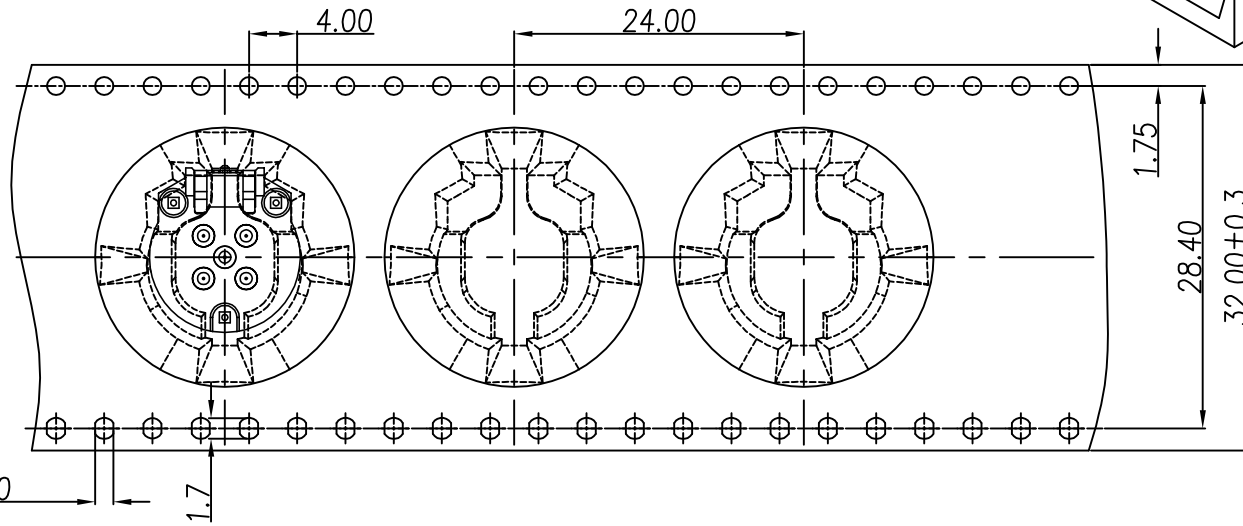
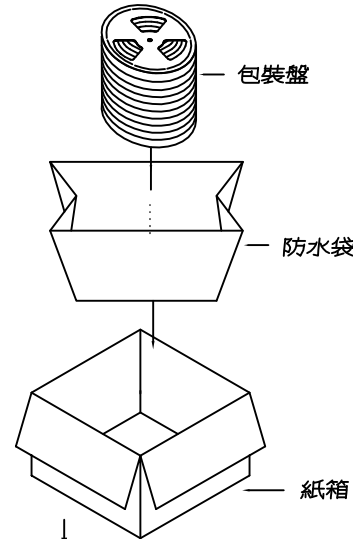
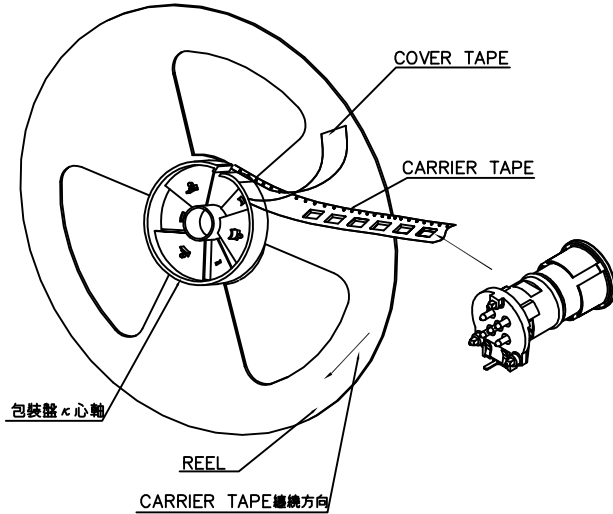
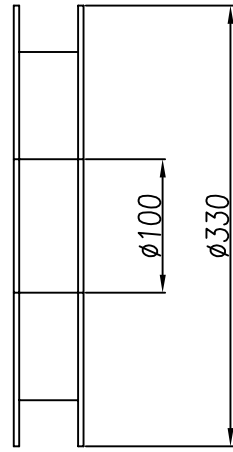
1. 將成品——放入包裝盤內,依同一方向置入.
2. 包裝方式,如圖所示.
3. 一個包裝盤 100pcs (前後各留約 10 格).

步驟二:

1. 一個紙箱可以裝 10 個包裝盤.
2. 每盤 100pcs, 每箱 1000pcs.
3. 將包裝盤放入防水袋中, 包裝完後再封箱.

步驟三:

1. 用膠帶將紙箱封實.



NOTE:

1. 料帶尺寸符合 (EIA-481-D) 規範要求.
2. 若有未裝滿之零數箱, 必須以緩衝材塞滿.
3. 在搬運過程中要輕拿輕放.
4. 載運輸中不可堆放過多, 不可有重壓現象.
5. 上帶在貼下帶時必須平整.

DRAWN	LED	APP'D	Ku Chou	UNIT	mm	TOLERANCE		NIAN YEONG ENTERPRISE 年永實業有限公司	TITLE	WP M12 A-CODING (M) Two-piece (Straight shielded THR)			SHEET	2/2
CHK'D	Ku Chou			SCALE	1:1	.x ±0.20 .xx ±0.10 .xxx ±0.05 .xxxx ±0.03 ANGULA ±1°			PART NO.	SEE TABLE A	DWG NO.	QC10590	VERSION	A