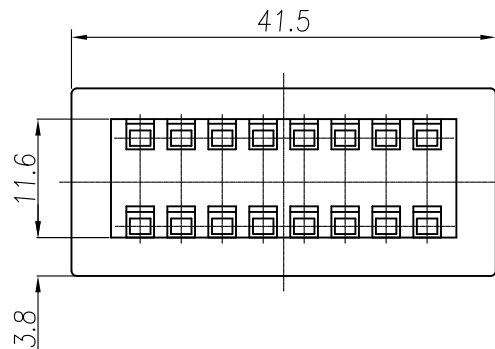
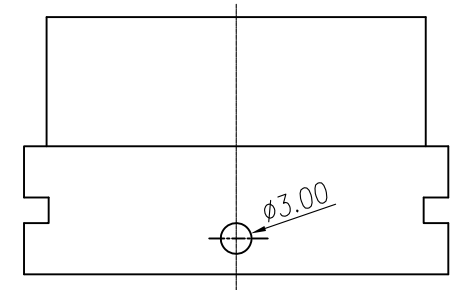
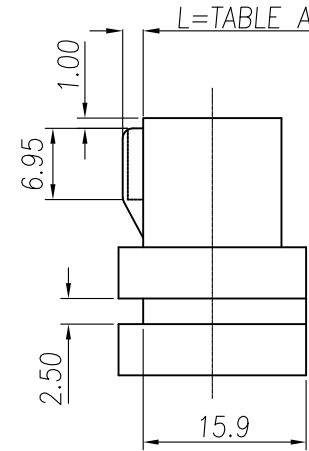
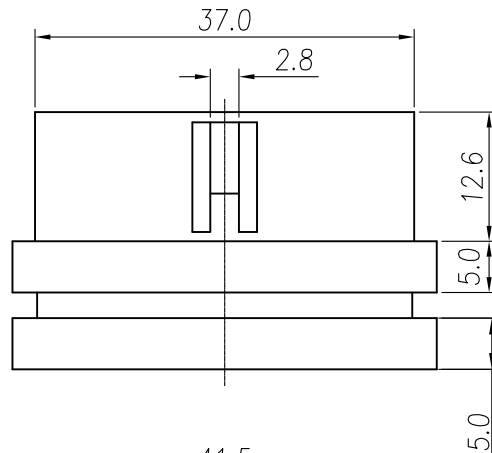
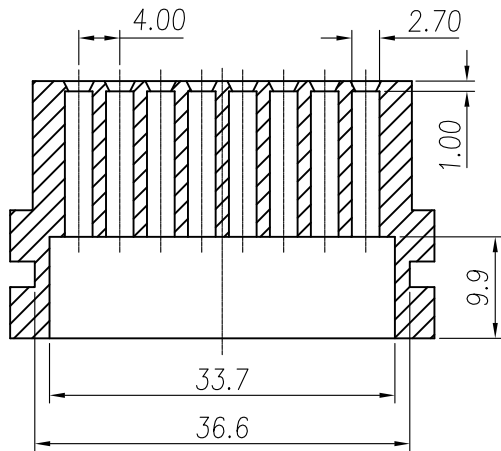
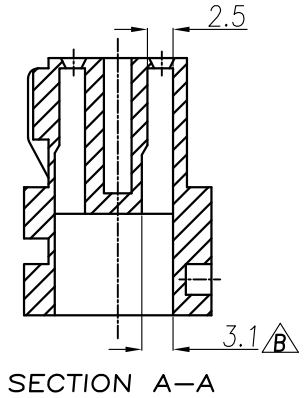
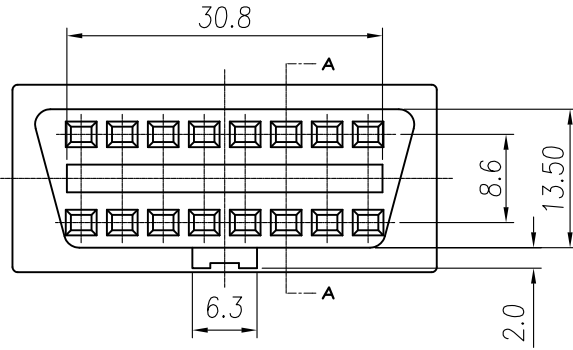


This document is the property of Nian-Yeong Corporation and is delivered on the express condition that it is not to be disclosed, reproduced or used, in whole or in part, for manufacture or sale by anyone other than Nian-Yeong Corporation without its prior consent, and that no right is granted to disclose or to use any information in this document.

CUSTOMER DRAWING

REV.	DESCRIPTION	APPVL. BY	DATE	ECN NO.
A	發行圖面	FIDEO WENG	14/08/09*	
B	取消封條	FIDEO WENG	28/07/15*	
C				



備注/ NOTE:

1. "△" 為重尺寸.

2. 材質/MATERIAL: 尼龍/NY66+15%

TABLE A/表A

ON-TE0052	防呆高度 L=2.0mm
ON-TE0226	防呆高度 L=1.5mm
P/N	L

DRAW	Angus	APPVL	Ku Chou	UNIT	mm	TOLERANCE	.x ±0.20 .xx ±0.10 .xxx ±0.05 .xxxx ±0.03 ANGULA ±1°	TITLE	OBD2 16(F)膠芯			SHEET	1/1
CHECK	Emily Suen			SCALE	1:1			PART NO.	SEE TABLE A	DWG NO.	QC1325	VERSION	A
				 NIAN YEONG ENTERPRISE 年永實業有限公司									