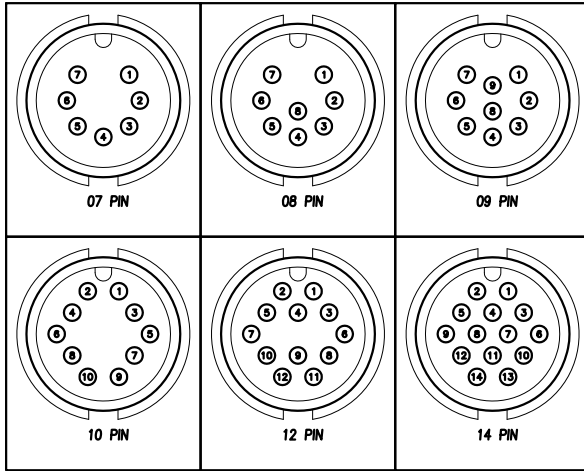


This document is the property of Nian-Yeong Corporation and is delivered on the express condition that it is not to be disclosed, reproduced or used, in whole or in part, for manufacture or sale by anyone other than Nian-Yeong Corporation without its prior consent, and that no right is granted to disclose or to use any information in this document.

CUSTOMER DRAWING

REV.	DESCRIPTION	APPROVED BY	DATE	ECN NO.
B	CHANGE BOM	Ku Chou	10/09/18*	
C	CHANGE CLAMP RING MATERIAL	Ku Chou	30/10/18*	
D	ADD P/N	Ku Chou	12/06/20*	

TABLE A



Pin Assignments
Front View

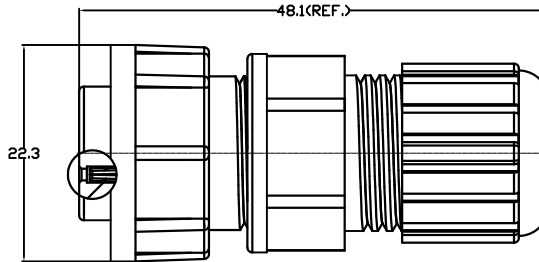
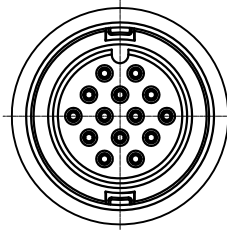
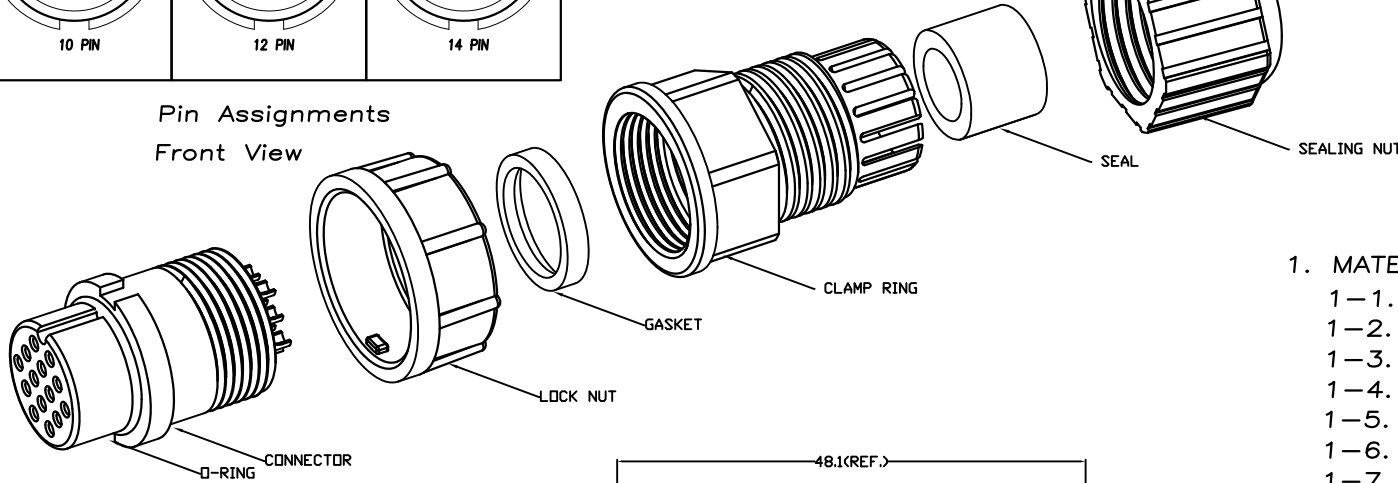
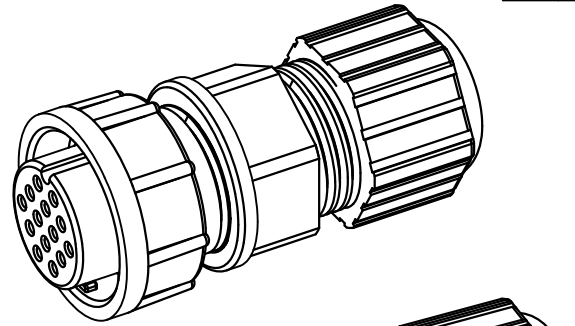


TABLE A

P/N	CABLE OD ϕ
WP-07F2-17-11	$\phi 6.5\text{mm} \sim \phi 7.6\text{mm}$
WP-08F2-122-11	$\phi 6.5\text{mm} \sim \phi 7.6\text{mm}$
WP-09F2-30-11	$\phi 6.5\text{mm} \sim \phi 7.6\text{mm}$
WP-09F2-35-11	$\phi 8.6\text{mm} \sim \phi 9.6\text{mm}$
WP-10F2-18-11	$\phi 6.5\text{mm} \sim \phi 7.6\text{mm}$
WP-12F2-37-11	$\phi 6.5\text{mm} \sim \phi 7.6\text{mm}$
WP-14F2-01-11	$\phi 6.5\text{mm} \sim \phi 7.6\text{mm}$
WP-14F2-04-11	$\phi 8.6\text{mm} \sim \phi 9.6\text{mm}$

1. MATERIAL :

- 1-1. HOUSING : PA66
- 1-2. CONTACT : BRASS
- 1-3. O-RING : SILICONE
- 1-4. LOCK NUT : PA66
- 1-5. GASKET : SILICONE
- 1-6. CLAMP RING : PA66 \triangle
- 1-7. SEAL : SILICONE
- 1-8. SEALING NUT : PA66

2. FINISH :

- 2-1. CONTACT : GOLD FLASH PLATED.

3. ELECTRICAL SPECIFICATION :

- 3-1. Rated current : 5A
- 3-2. Rated Voltage : 250V
- 3-3. Water proof : IP67

4. Environmental :

- 4-1. Operation Temperature : $-40^{\circ}\text{C} \sim 105^{\circ}\text{C}$

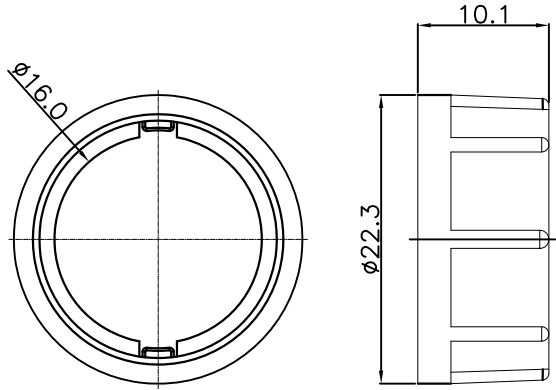
DRAWN	Emily Suen	APP'D	Ku Chou	UNIT	mm	TOLERANCE				TITLE	WP FEMALE (FEMALE PIN) C SIZE ASSEMBLY TYPE(LOCK)-5A			SHEET	$\frac{1}{2}$
CHK'D	Ku Chou			SCALE	1:1	.x ± 0.20 .xx ± 0.10 .xxx ± 0.05 .xxxx ± 0.03 ANGULAR $\pm 1^{\circ}$				PART NO.	SEE TABLE A	DWG NO.	QC8619	VERSION	D

NIAN YEONG ENTERPRISE
年永實業有限公司

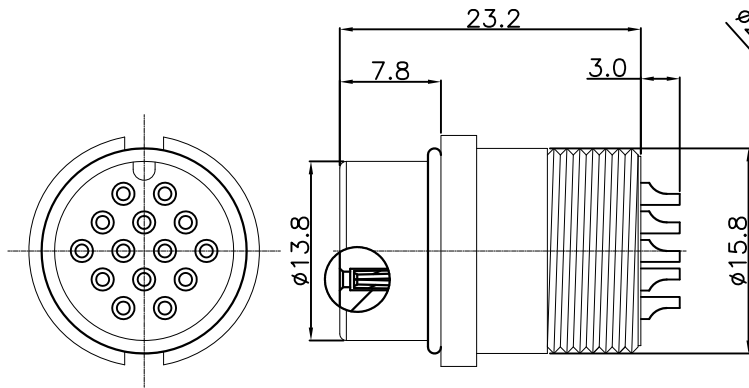
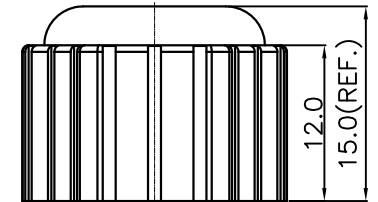
This document is the property of Nian-Yeong Corporation and is delivered on the express condition that it is not to be disclosed, reproduced or used, in whole or in part, for manufacture or sale by anyone other than Nian-Yeong Corporation without its prior consent, and that no right is granted to disclose or to use any information in this document.

CUSTOMER DRAWING

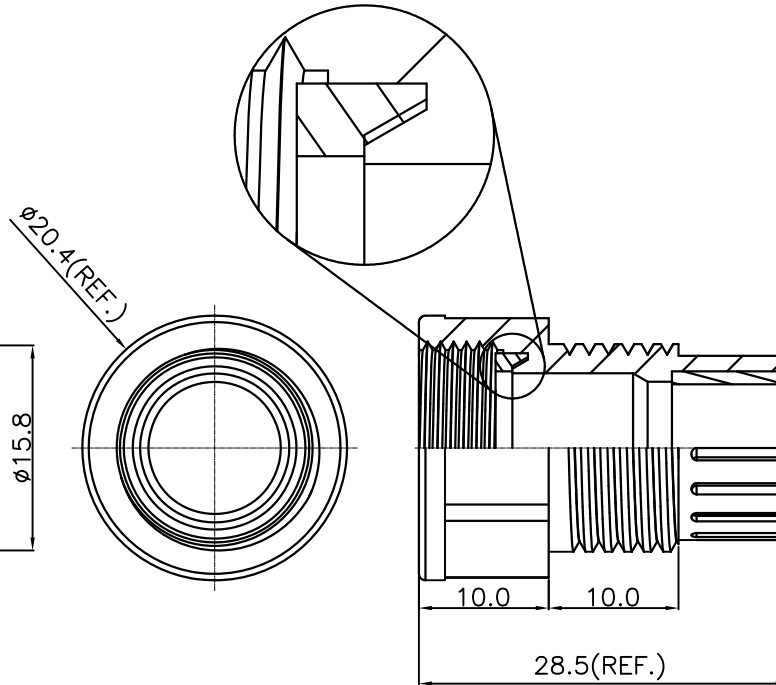
REV.	DESCRIPTION	APPROVED BY	DATE	ECN NO.
B	CHANGE BOM	Ku Chou	10/09/18*	
C	CHANGE CLAMP RING MATERIAL	Ku Chou	30/10/18*	
D	ADD P/N	Ku Chou	12/06/20*	



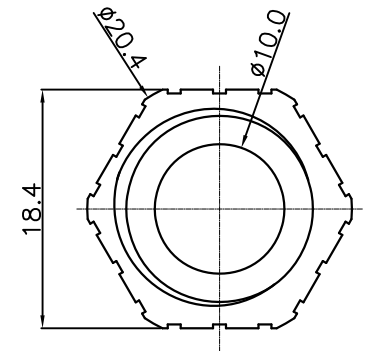
LOCK NUT



HOUSING & CONTACT & O-RING



CLAMP & GASKET & SEAL



SEALING NUT

DRAWN	Emily Suen	APP'D	Ku Chou	UNIT	mm	TOLERANCE	NIAN YEONG ENTERPRISE 年永實業有限公司	TITLE	WP FEMALE (FEMALE PIN) C SIZE ASSEMBLY TYPE(LOCK)-5A			SHEET	2 5
CHK'D	Ku Chou			SCALE	1:1	.x ±0.20 .xx ±0.10 .xxx ±0.05 .xxxx ±0.03 ANGULAR ±1°		PART NO.	SEE TABLE A	DWG NO.	QC8619	VERSION	