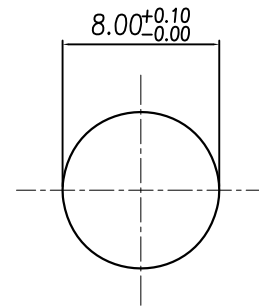
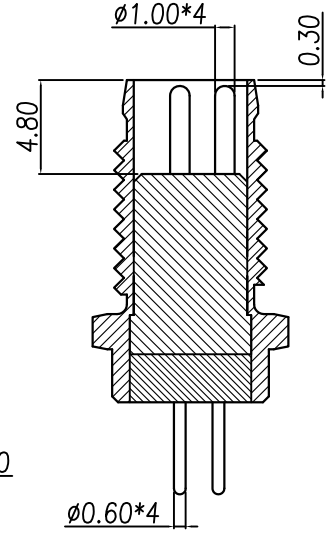
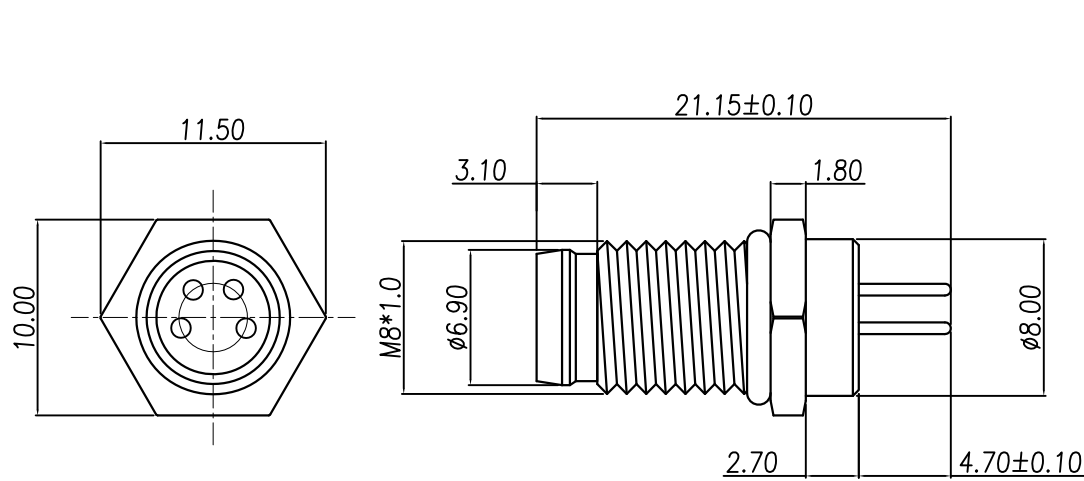


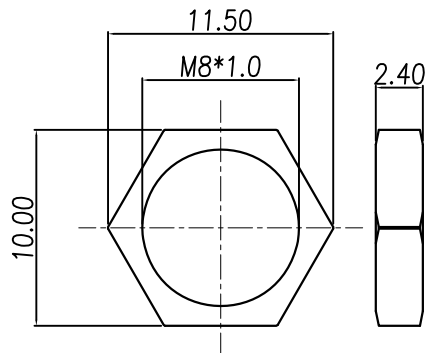
This document is the property of Nian-Yeong Corporation and is delivered on the express condition that it is not to be disclosed, reproduced or used, in whole or in part, for manufacture or sale by anyone other than Nian-Yeong Corporation without its prior consent, and that no right is granted to disclose or to use any information in this document.

CUSTOMER DRAWING

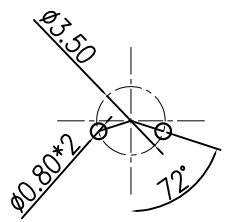
REV.	DESCRIPTION	APPROVED BY	DATE	ECN NO.
A	RELEASE	Emily Suen	25/10/11'	
B	ADD TABLE A	KU	02/05/18'	
C				



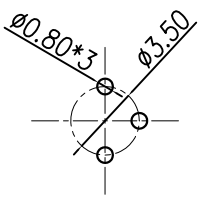
RECOMMEND PANEL CUT-OUT



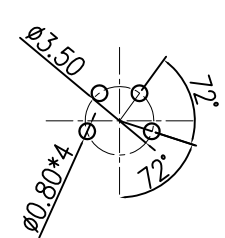
NUT



2 PIN



3 PIN



4 PIN

RECOMMEND PCB LAYOUT

TABLE A

2PIN	3PIN	4PIN	
WP-02M3-01-11	WP-03M2-26	WP-04M2-65	
WP-02M3-07-11	WP-03M3-09-11	WP-04M2-209-11	
WP-04M2-65	GOLD FLASH	WP-04M2-209-11	GOLD 10u"
WP-03M2-26	GOLD FLASH	WP-03M3-09-11	GOLD 10u"
WP-02M3-01-11	GOLD FLASH	WP-02M3-07-11	GOLD 10u"
PART NO	FINISH	PART NO	FINISH

- MATERIAL :
 - 1-1. HOUSING : PBT ; COLOR : BLACK
 - 1-2. CONTACT : BRASS
 - 1-3. SHELL : BRASS
 - 1-4. O-RING : NBR ; COLOR : BLACK
 - 1-5. NUT : BRASS
- FINISH :
 - 2-1. CONTACT : SEE TABLE A
 - 2-2. SHELL : NICKEL PLATED.
 - 2-3. NUT : NICKEL PLATED.
- ELECTRICAL SPECIFICATION :
 - 3-1. Rated current : 4A
 - 3-2. Rated voltage : 60V
 - 3-3. Water proof : IP67
- Environmental :
 - 4-1. Operation Temperature : -20°C~85°C

DRAWN	Ku Chou	APPEND	Emily Suen	UNIT	mm	TOLERANCE	NIAN YEONG ENTERPRISE 年永實業有限公司	TITLE	防水頭 (M) 前銅板M8*1.0 插板式			SHEET	
CHOKED	Ku Chou			SCALE	1:1	.x ±0.20 .xx ±0.10 .xxx ±0.05 .xxxx ±0.03 ANGULA ±1°		PART NO.	SEE TABLE A	DWG NO.	QC5562	VERSION	