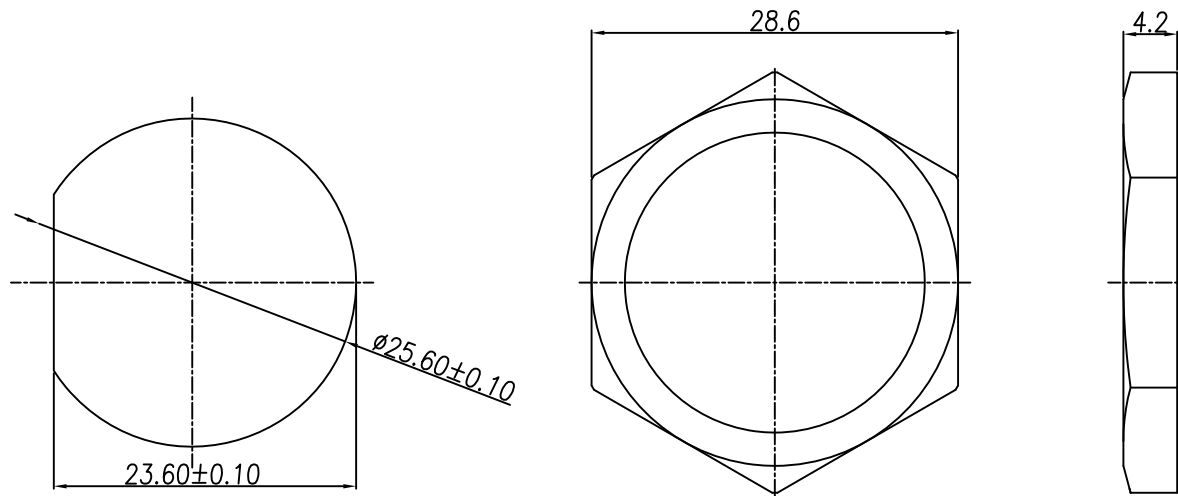
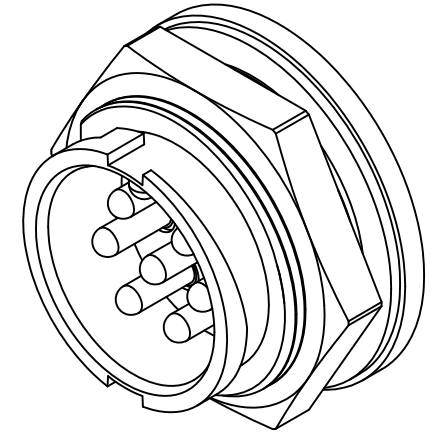
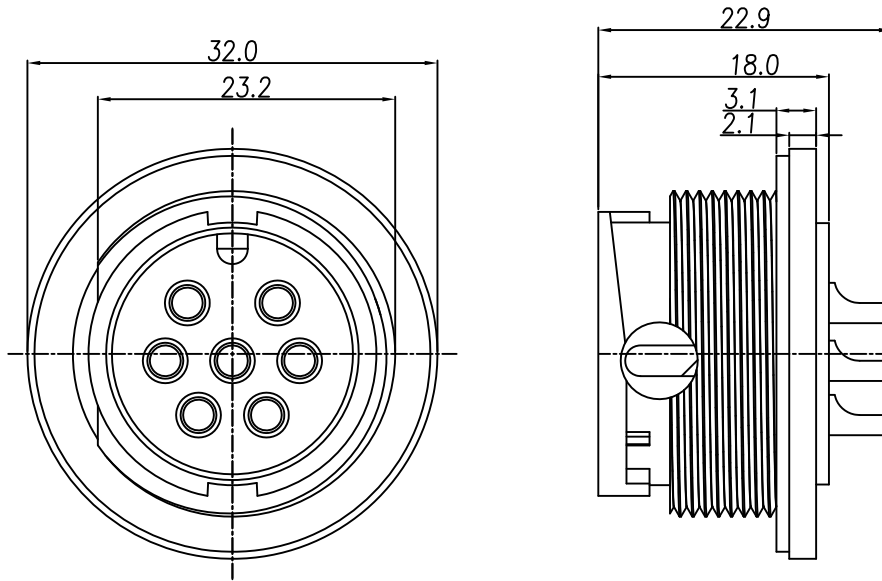


This document is the property of Nian-Yeong Corporation and is delivered on the express condition that it is not to be disclosed, reproduced or used, in whole or in part, for manufacture or sale by anyone other than Nian-Yeong Corporation without its prior consent, and that no right is granted to disclose or to use any information in this document.

CUSTOMER DRAWING

REV.	DESCRIPTION	APPROVED BY	DATE	ECN NO.
A	RELEASE	Ku Chou	09/05/18*	
B				
C				



RECOMMEND PANEL HOLE

Hex Nut

- MATERIAL :
  - 1-1. HOUSING : PA66
  - 1-2. CONTACT : BRASS
  - 1-3. GASKET : SILICONE
  - 1-4. HEX NUT : PA66
- FINISH :
  - 2-1. CONTACT : GOLD FLASH PLATED
- ELECTRICAL SPECIFICATION :
  - 3-1. Rated current : 20A
  - 3-2. Rated Voltage : 300V
- Environmental :
  - 4-1. Operation Temperature : -40°C~105°C

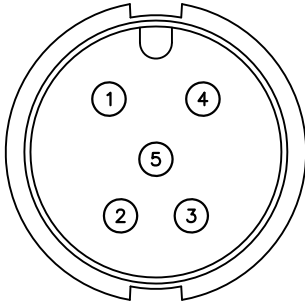
DRAWN	Enly Suen	APP'D	KU Chou	UNIT	mm	TOLERANCE	<b>NIAN YEONG ENTERPRISE</b> 年永實業有限公司	TITLE	D SIZE (M) 快鎖杯口焊線式 (圓型面板)-20A			SHEET	1/2
CHK'D	KU Chou			SCALE	1:1	.x ±0.20 .xx ±0.10 .xxx ±0.05 .xxxx ±0.03 ANGULA ±1°		PART NO.	SEE TABLE A	DWG NO.	QC8487	VERSION	A

This document is the property of Nian-Yeong Corporation and is delivered on the express condition that it is not to be disclosed, reproduced or used, in whole or in part, for manufacture or sale by anyone other than Nian-Yeong Corporation without its prior consent, and that no right is granted to disclose or to use any information in this document.

# CUSTOMER DRAWING

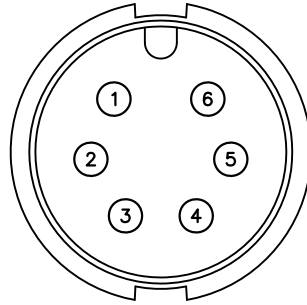
REV.	DESCRIPTION	APPROVED BY	DATE	ECN NO.
A	RELEASE	KU Chou	09/05/18*	
B				
C				

TABLE A



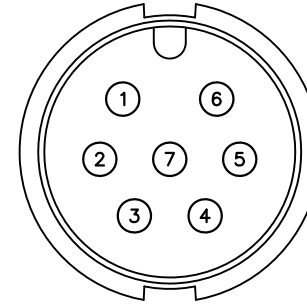
5P

WP-05M2-127-11



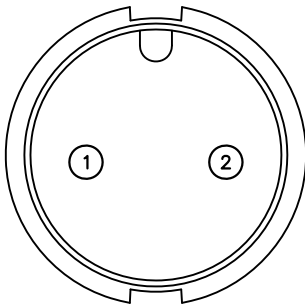
6P

WP-06M2-80-11

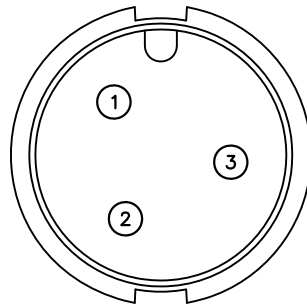


7P

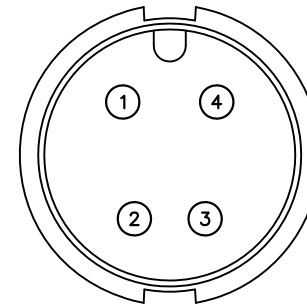
WP-07M2-12-11



2P



3P



4P

WP-04M2-229-11

DRAWN	Emily Suen	APP'D	KU Chou	UNIT	mm	TOLERANCE	<b>NIAN YEONG ENTERPRISE</b> 年永實業有限公司	TITLE	D SIZE (M) 快鎖杯口焊線式 (圓型擋板)-20A			SHEET	2
CHK'D	KU Chou			SCALE	1:1	.x ±0.20 .xx ±0.10 .xxx ±0.05 .xxxx ±0.03 ANGULA ±1°		PART NO.	SEE TABLE A	DWG NO.	QC8487	VERSION	A