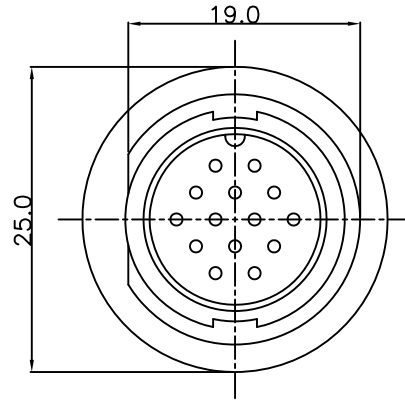
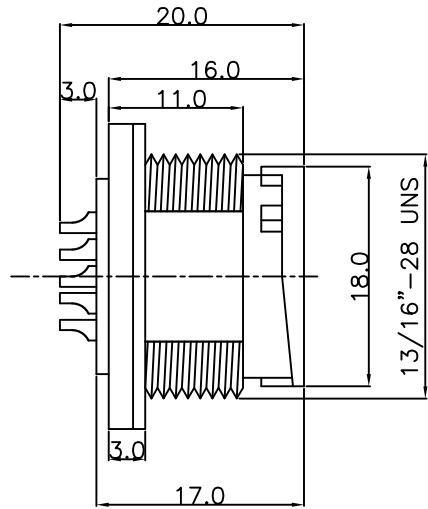


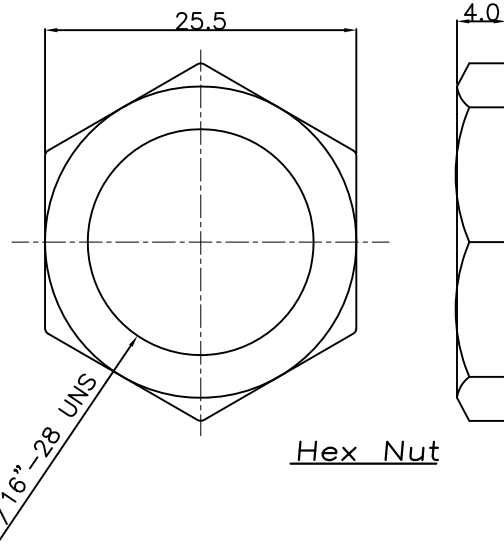
This document is the property of Nian-Yeong Corporation and is delivered on the express condition that it is not to be disclosed, reproduced or used, in whole or in part, for manufacture or sale by anyone other than Nian-Yeong Corporation without its prior consent, and that no right is granted to disclose or to use any information in this document.

CUSTOMER DRAWING

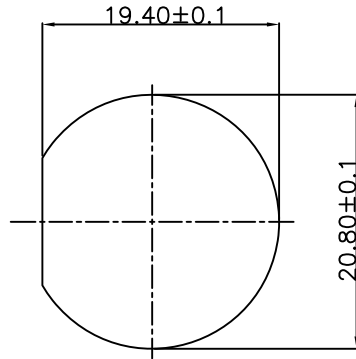
REV.	DESCRIPTION	APPROVED BY	DATE	ECN NO.
A	RELEASE	Ku Chou	12/04/18'	
B				
C				



1. MATERIAL :
  - 1-1. HOUSING : PA66
  - 1-2. CONTACT : BRASS
  - 1-3. GASKET : SILICONE
  - 1-4. HEX NUT : PA66
2. FINISH :
  - 2-1. CONTACT : GOLD FLASH PLATED.
3. ELECTRICAL SPECIFICATION :
  - 3-1. Rated current : 5A
  - 3-2. Rated Voltage : 250V
  - 3-3. Water proof : IP67
4. Environmental :
  - 4-1. Operation Temperature : -40°C~105°C



Hex Nut



RECOMMEND PANEL CUT-OUT

TABLE A

 07 PIN WP-07M2-22-11	 08 PIN WP-08M2-115-11	 09 PIN WP-09M2-20-11
 10 PIN WP-10M2-18-11	 12 PIN WP-12M2-30-11	 14 PIN WP-14M2-01-11

DRAWN	Emily Suen	APP'D	Ku Chou	UNIT	mm	TOLERANCE			TITLE	WP C Size(M) Front Lock Solder Type(Lock Bayonet)			SHEET	
CHK'D	Ku Chou	SCALE	1:1	.x	±0.20	ANGULA			±1°	PART NO.	SEE TABLE A	DWG NO.	QC8263	

NIAN YEONG ENTERPRISE  
年永實業有限公司