

This document is the property of Nian-Yeong Corporation and is delivered on the express condition that it is not to be disclosed, reproduced or used, in whole or in part, for manufacture or sale by anyone other than Nian-Yeong Corporation without its prior consent, and that no right is granted to disclose or to use any information in this document.

CUSTOMER DRAWING

REV.	DESCRIPTION	APPROVED BY	DATE	ECN NO.
A	RELEASE	Fido Weng	22/03/10*	
B	增加料號		14/01/15*	
C				

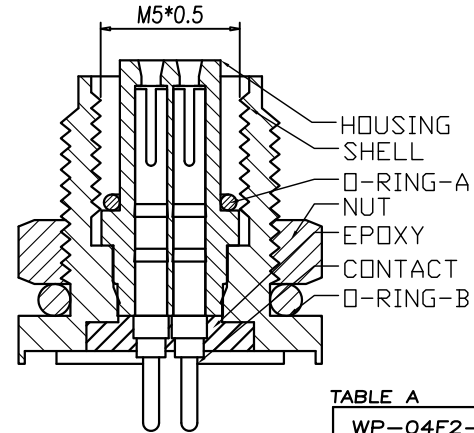
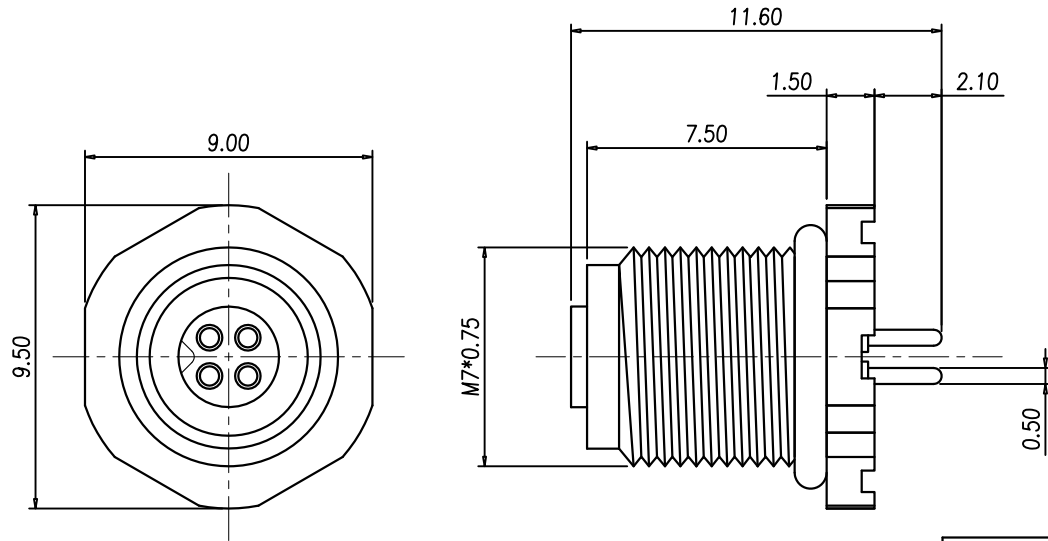
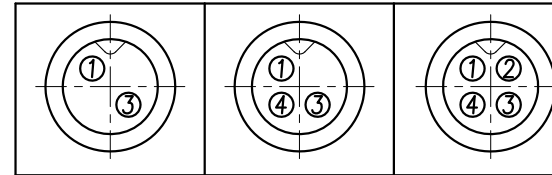
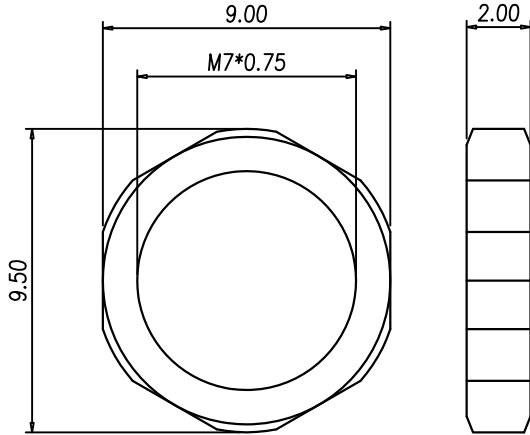


TABLE A

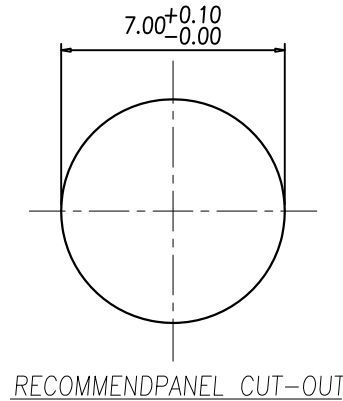
WP-04F2-146-11	GOLD 10u"
WP-03F2-67-11	GOLD 10u"
WP-02F2-43-11	GOLD 10u"
WP-04F2-51	GOLD FLASH
WP-03F2-50-11	GOLD FLASH
WP-02F2-32-11	GOLD FLASH
PART NO	FINISH



- MATERIAL :
 - HOUSING : PBT UL94V-0; COLOR : BLACK
 - CONTACT : BRASS
 - NUT : BRASS
 - SHELL : BRASS
 - O-RING : NBR ; COLOR : BLACK
 - EPOXY BASE : EF400A & EF400B. COLOR : BLACK
- FINISH :
 - CONTACT : SEE TABLE A
 - NUT : NICKEL PLATED.
 - SHELL : NICKEL PLATED.
- ELECTRICAL SPECIFICATION :
 - Rated current : 1A
 - Rated Voltage : 60V
 - Water proof: IP67
- Environmental :
 - Operation Temperature : -20 °C~85°C



NUT



RECOMMEND PANEL CUT-OUT

DRAWN	Mark Kao	APP'D	Ku Chou	UNIT	mm	TOLERANCE	TITLE		SHEET
CHK'D	Emily Suen			SCALE	1:1	.x ±0.20 .xx ±0.10 .xxx ±0.05 .xxxx ±0.03 ANGULA ±1°	M5*0.5 (F) 板端		1/1
							PART NO.	SEE TABLE A	VERSION B
							DWG NO. QC4689		

