

This document is the property of Nian-Yeong Corporation and is delivered on the express condition that it is not to be disclosed, reproduced or used, in whole or in part, for manufacture or sale by anyone other than Nian-Yeong Corporation without its prior consent, and that no right is granted to disclose or to use any information in this document.

CUSTOMER DRAWING

REV.	DESCRIPTION	APPROVED BY	DATE	ECN NO.
A	RELEASE	Fido Weng	17/01/13	
B				
C				

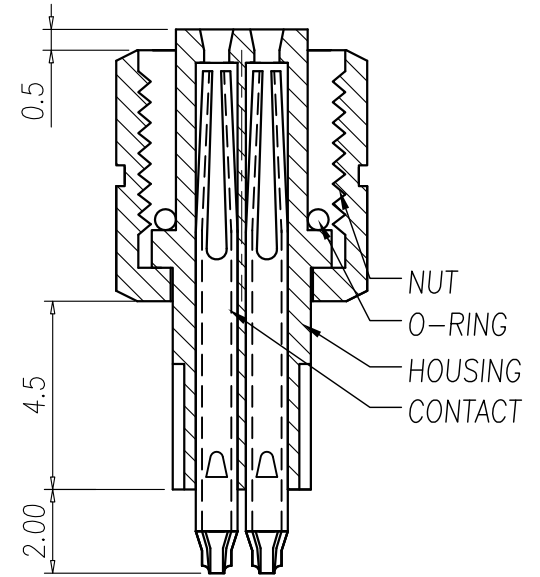
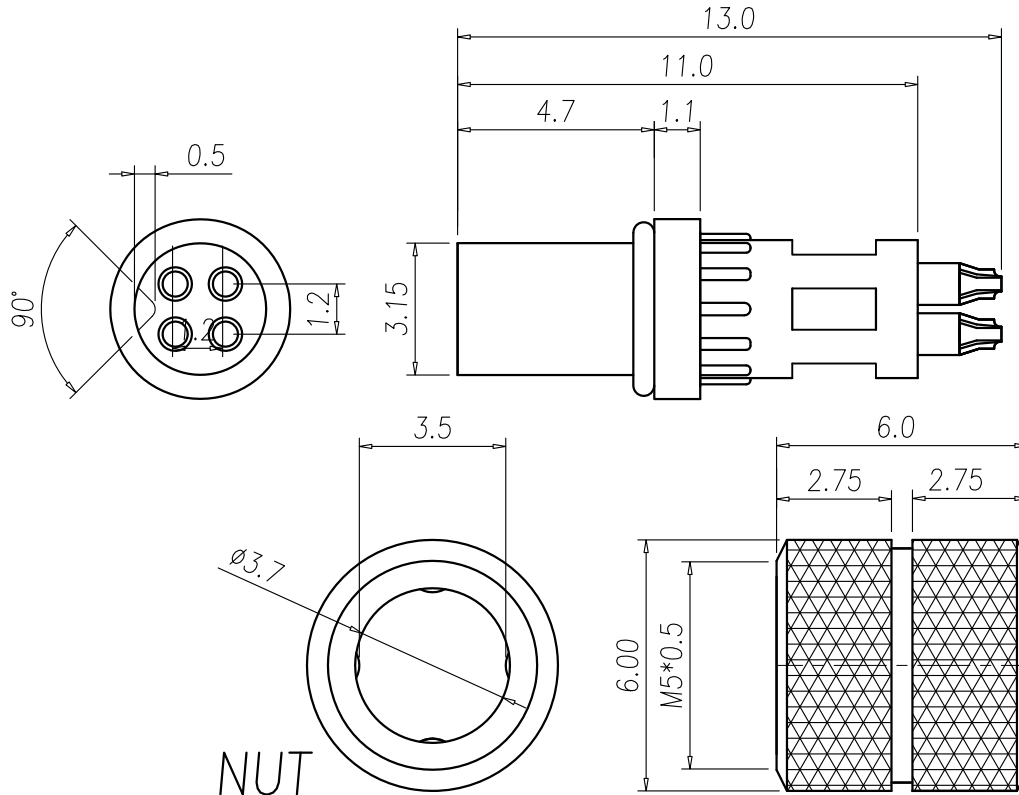


TABLE A

4P	3P	2P

WP-04F2-166-11	BLACK Cr	GOLD 10u"
WP-04F2-165-11	BLACK NICKEL	GOLD 10u"
WP-04F2-143-11	Satin Nickel	GOLD 10u"
WP-03F2-64-11	Satin Nickel	GOLD 10u"
WP-02F2-40-11	Satin Nickel	GOLD 10u"
WP-02F2-21	Satin Nickel	GOLD FLASH
WP-03F2-34	Satin Nickel	GOLD FLASH
WP-04F2-82	BLACK NICKEL	GOLD FLASH
WP-04F2-88	BLACK Cr	GOLD FLASH
WP-04F2-49	Satin Nickel	GOLD FLASH
PART NO.	NUT PLATED	CONTACT FINISH

- MATERIAL :
 - HOUSING : TPU ; COLOR : BLACK
 - CONTACT : PHOSPHOR BRONZE
 - NUT : BRASS
 - O-RING : NBR ; COLOR : BLACK
- FINISH :
 - CONTACT : SEE TABLE A
 - NUT : SEE TABLE A
- ELECTRICAL SPECIFICATION :
 - Rated current : 1A
 - Rated Voltage : 60V
 - Water proof: IP67
- Environmental :
 - Operation Temperature : -20 °C~85°C

DRAWN	Mark Kao	APP'D	Ku Chou	UNIT	mm	TOLERANCE			TITLE	M5(F) 線端插線式			SHEET	
CHK'D	Emily Suen			SCALE	1:1	.x ±0.20 .xx ±0.10 .xxx ±0.05 .xxxx ±0.03 ANGULA ±1°			PART NO.	SEE TABLE A	DWG NO.	QC4584	VERSION	

NIAN YEONG ENTERPRISE
年永實業有限公司